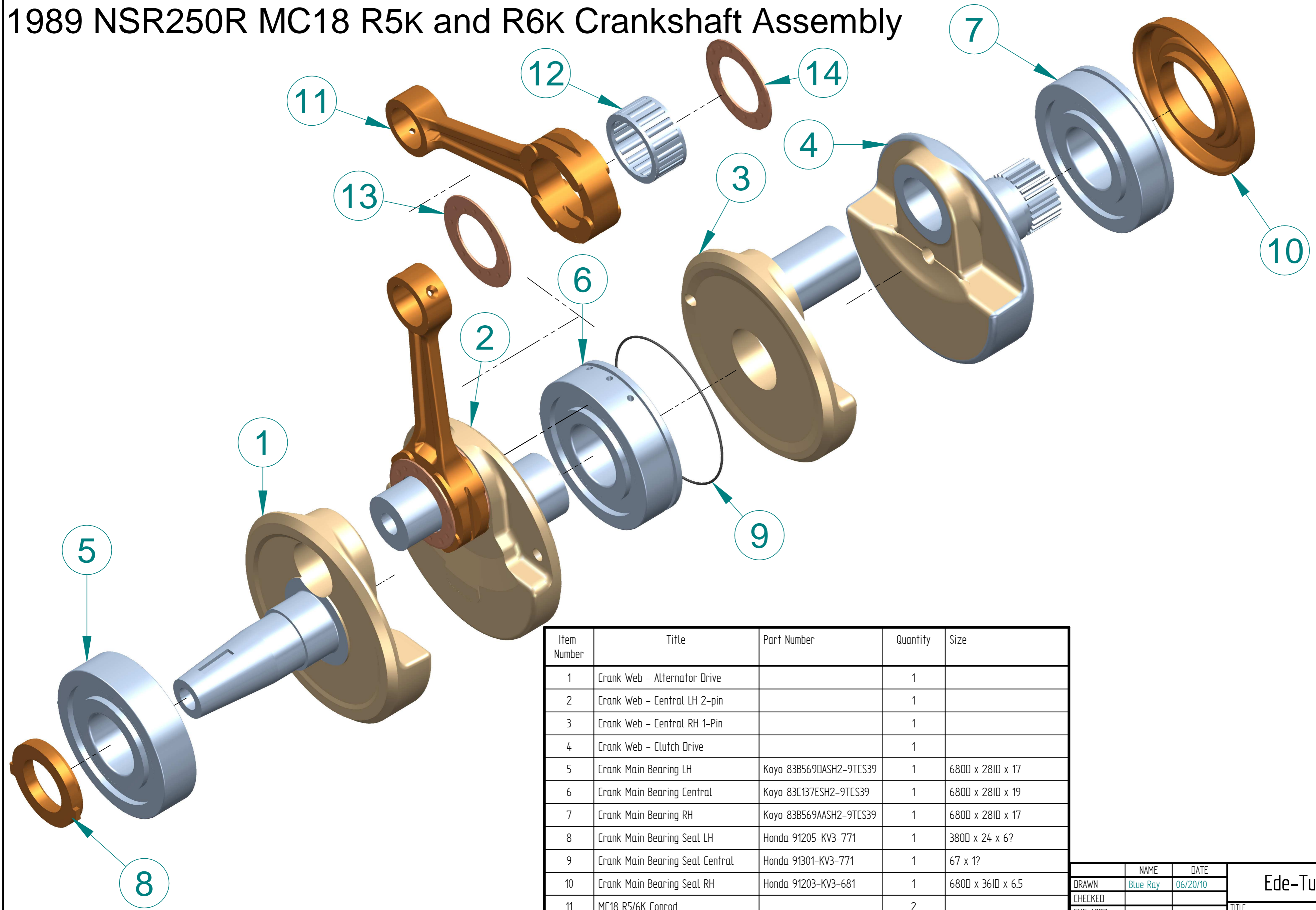
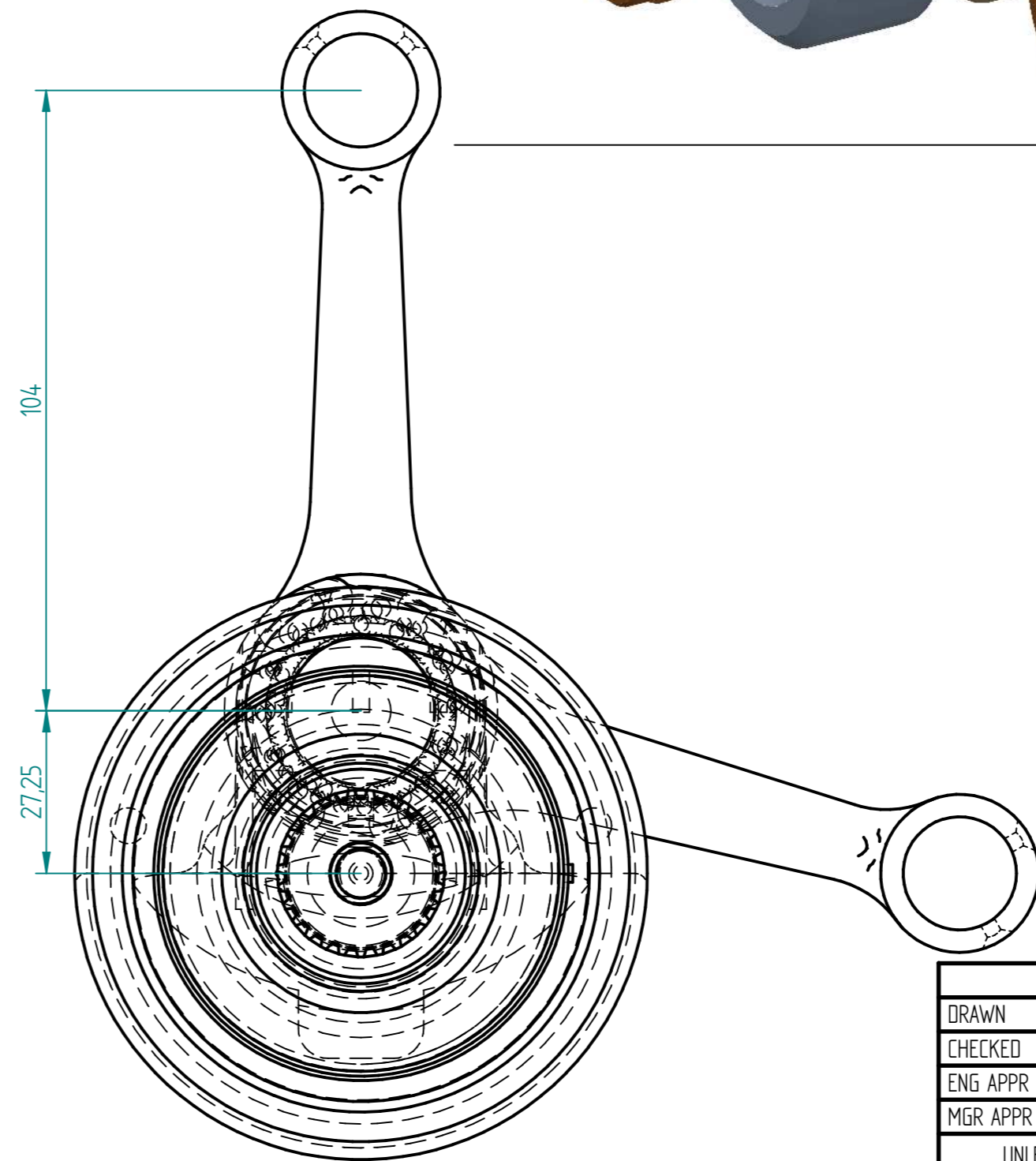
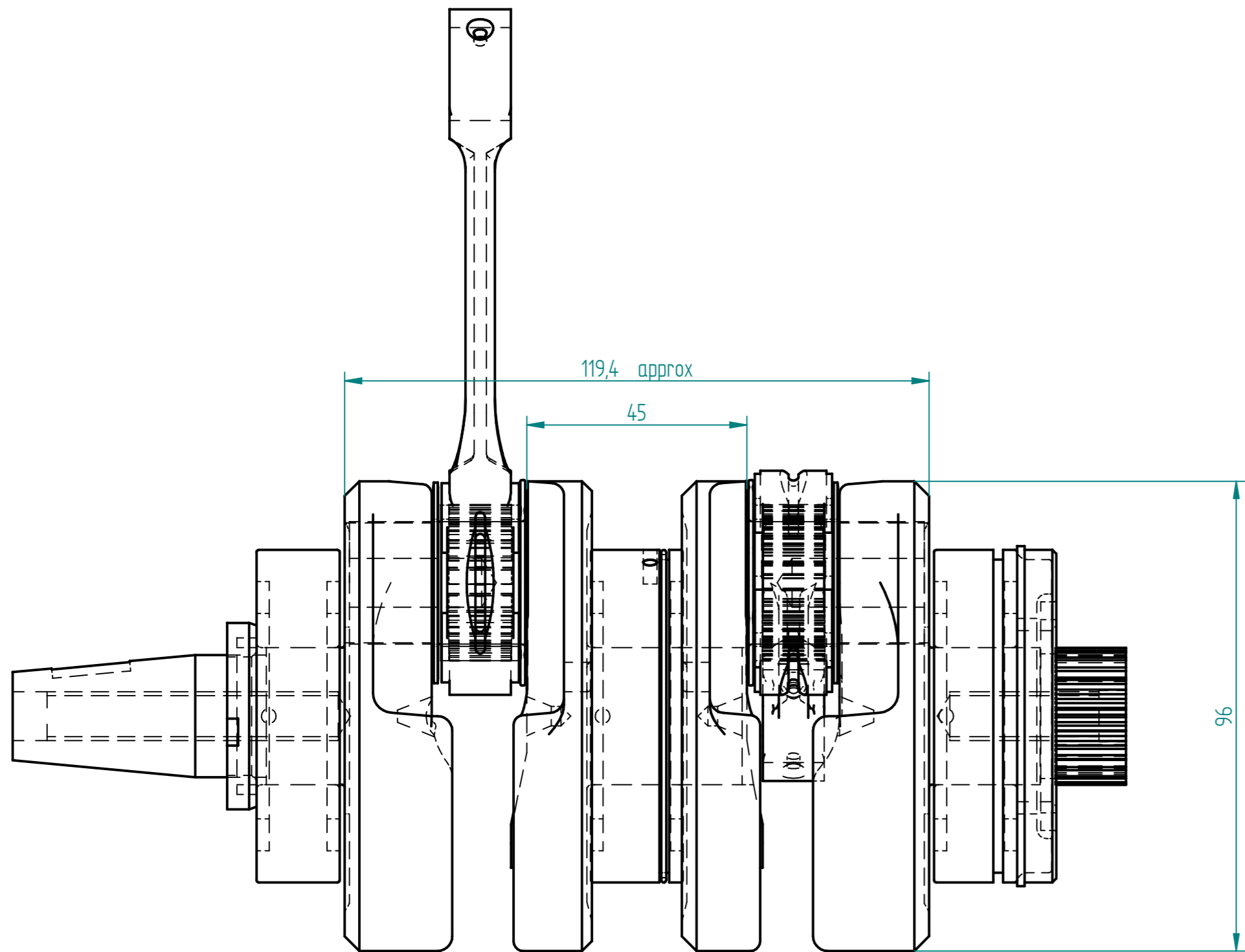
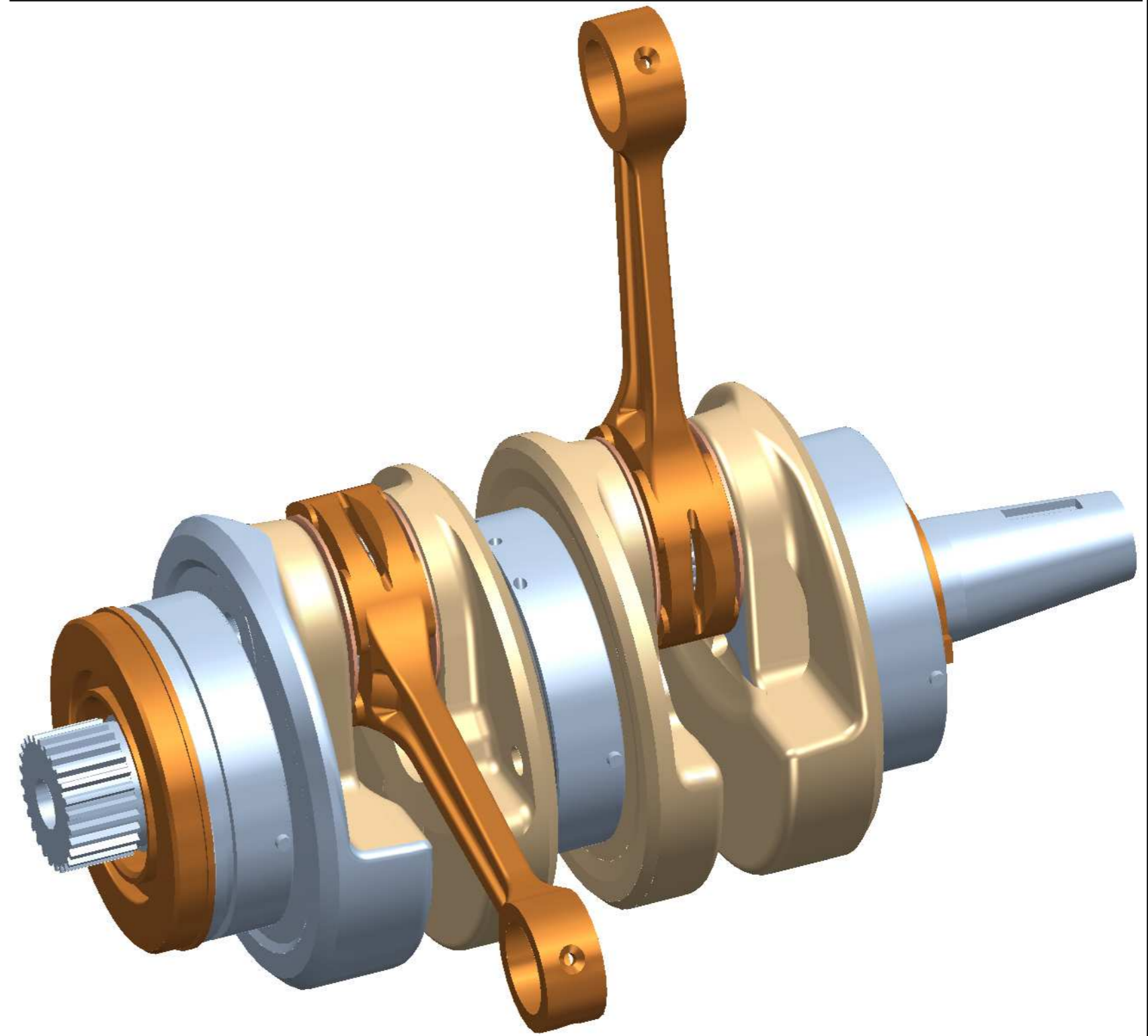
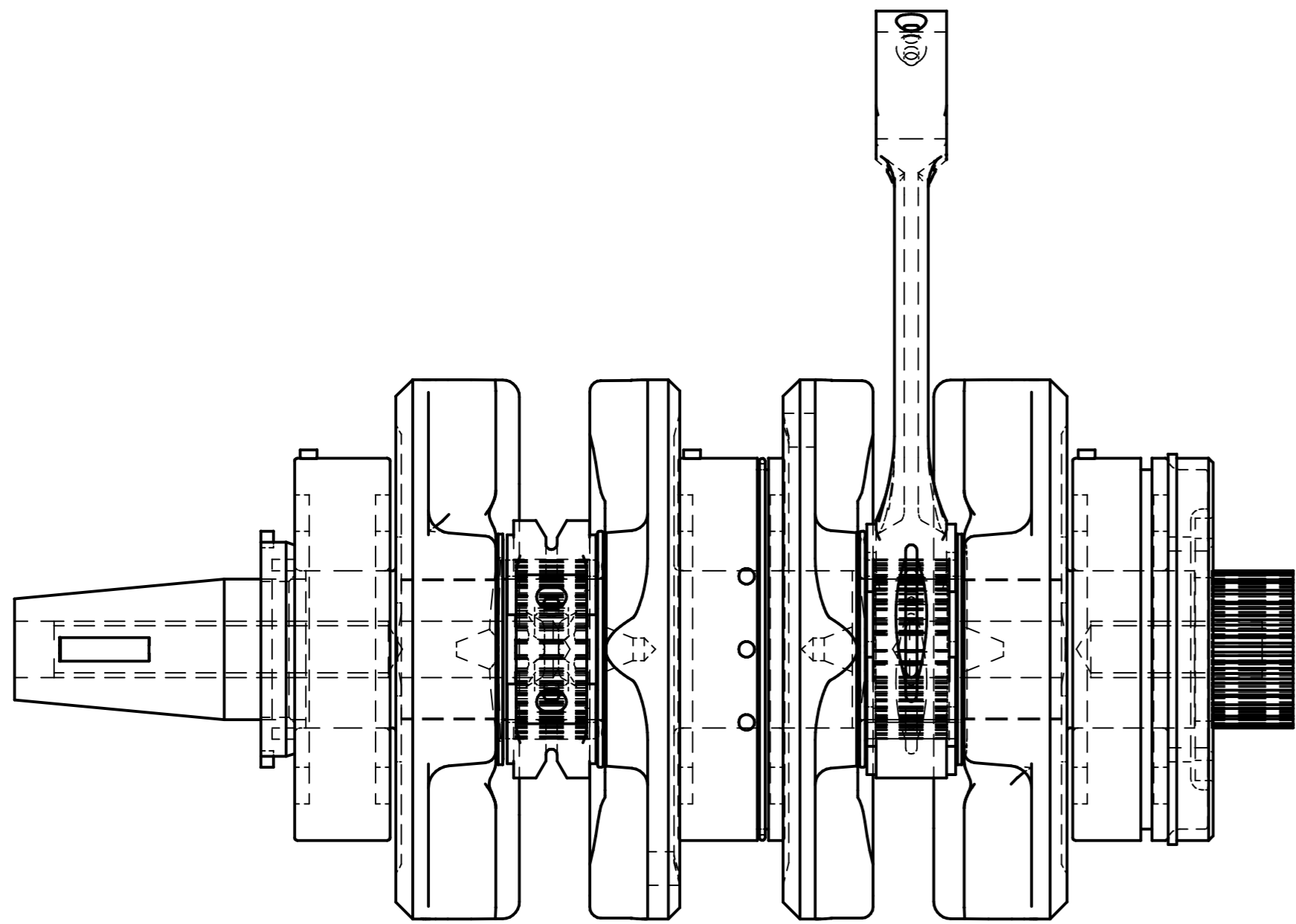


1989 NSR250R MC18 R5k and R6k Crankshaft Assembly



Item Number	Title	Part Number	Quantity	Size
1	Crank Web - Alternator Drive		1	
2	Crank Web - Central LH 2-pin		1	
3	Crank Web - Central RH 1-Pin		1	
4	Crank Web - Clutch Drive		1	
5	Crank Main Bearing LH	Koyo 83B569DASH2-9TCS39	1	680D x 28ID x 17
6	Crank Main Bearing Central	Koyo 83C137ESH2-9TCS39	1	680D x 28ID x 19
7	Crank Main Bearing RH	Koyo 83B569AASH2-9TCS39	1	680D x 28ID x 17
8	Crank Main Bearing Seal LH	Honda 91205-KV3-771	1	380D x 24 x 6?
9	Crank Main Bearing Seal Central	Honda 91301-KV3-771	1	67 x 1?
10	Crank Main Bearing Seal RH	Honda 91203-KV3-681	1	680D x 36ID x 6.5
11	MC18 R5/6K Conrod		2	
12	MC18 R5/6K Big End Bearing	Unknown	2	32 x 25 x 16
13	Thrust Washer 42 x 25 x 1	Unknown	2	42 x 25 x 1
14	Thrust Washer 41 x 26 x 1	Unknown	2	41 x 26 x 1

	NAME	DATE	Ede-Tuck Racing		
DRAWN	Blue Ray	06/20/10			
CHECKED			TITLE Honda NSR250 MC18 R5k/R6k Crankshaft Assembly		
ENG APPR					
MGR APPR			SIZE A2	DWG NO	REV
UNLESS OTHERWISE SPECIFIED DIMENSIONS ARE IN MILLIMETERS ANGLES ±XX° 2 PL ±XXX 3 PL ±XXXX			FILE NAME: NSRMC18 Crankshaft.dft		
SCALE:			WEIGHT: 5.349 kg	SHEET 1 OF 2	



	NAME	DATE	Ede-Tuck Racing	
DRAWN	Blue Ray	06/20/10	TITLE	
CHECKED			Honda NSR250 MC18 R5k/R6k Crankshaft Assembly	
ENG APPR			SIZE	DWG NO
MGR APPR			A2	REV
UNLESS OTHERWISE SPECIFIED DIMENSIONS ARE IN MILLIMETERS ANGLES ±X.X° 2 PL ±XXX 3 PL ±XXXX			FILE NAME: NSRMC18 Crankshaft.dft	
			SCALE:	WEIGHT: 5.349 kg SHEET 2 OF 2