

28'-1.522"
OVERALL BOT. OF BASE R
TO \varnothing OF TOP OF CAP R (CAP R SLOPED)

16'-8.25"
BOT. OF BASE R
TO TOP OF BEARING R

WEST SIDE

PIPE 6" \varnothing STD. FABRICATE (8)

COLUMN S16

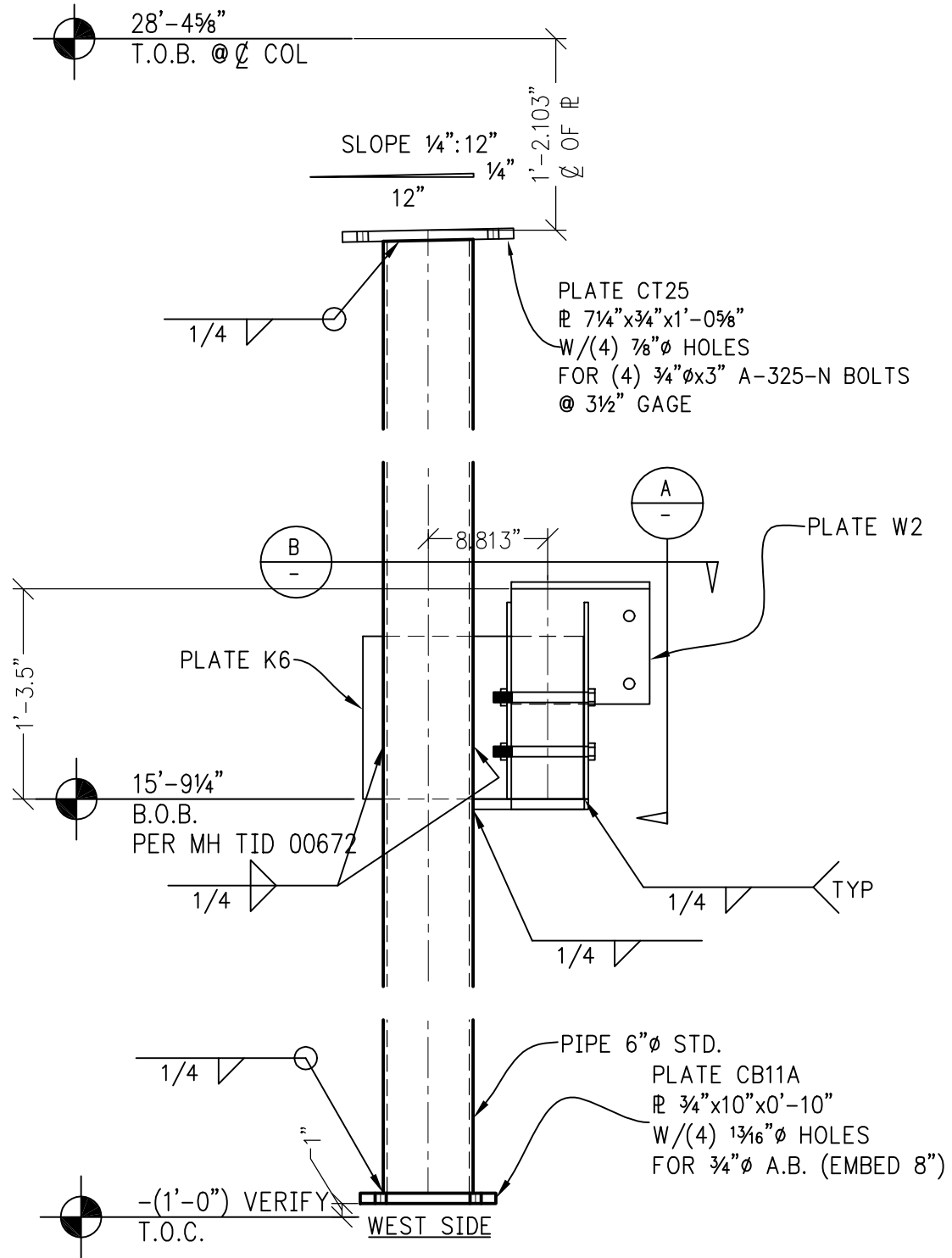
SCALE: 1/2"=1'-0"

102/ST707

APPROVED FOR FABRICATION

M MARK ON COLU

PAGE 1 OF 3



STEEL - U.N.O.

TYPE OF MEMBER	ASTM SPEC.	F _y
WIDE FLANGE SHAPES	A992	50 KSI
ALL OTHER SHAPES	A36	36 KSI
PLATE	A36 OR A572	36 KSI (MIN)
PIPE SECTIONS	A500 (GRADE B)	42 KSI
STRUCTURAL TUBING (SQ. OR RECT.)	A500 (GRADE B)	46 KSI
CONN. BOLTS	A307	36 KSI
HEADED SHEAR STUDS	A108	49 KSI
THREADED RODS	A36	36 KSI

Paradise Ventures, Inc.

P.O. Box 2441
Wenatchee, WA 98807
509.670.9375 - FAX 881.2720

S16

SHOP DRAWINGS
WENATCHEE QUALITY WELDING
MOSES LAKE CIVIC CENTER

DWG: MOSES LAKE CIVIC CENTER.DWG

COLUMN

DRAWN BY: COOKIE
CHECKED BY:

DATE: 01-17-2011