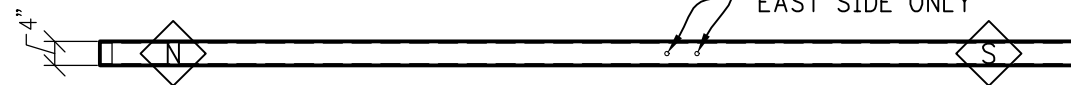
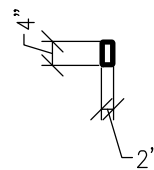
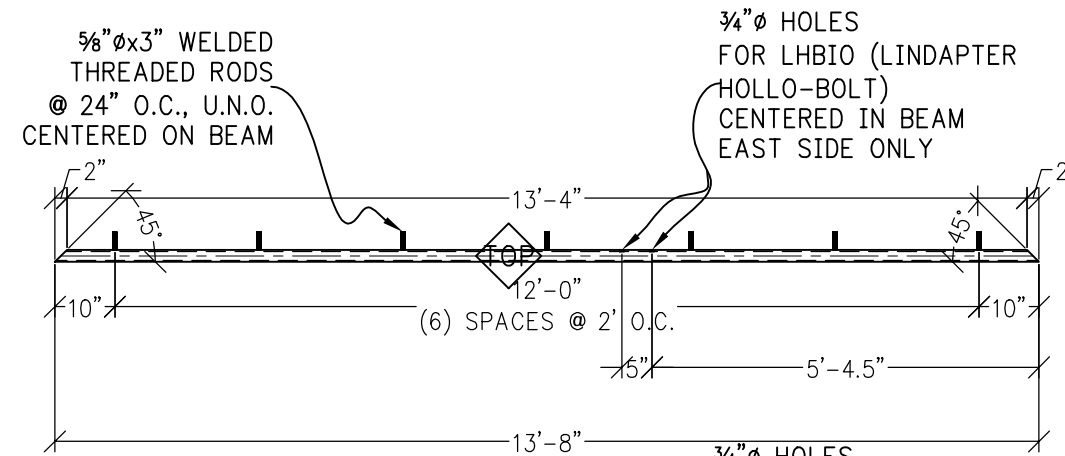


**APPROVED FOR FABRICATION**



ELEVATION VIEW

NORTH END TO CANOPY BEAM CW4  
CONN. DETAIL 42A/ST401 (SIM)

HSS4x2x1/4

SOUTH END TO CANOPY BEAM CW7  
CONN. DETAIL 42A/ST401 (SIM)

**BEAM CW1**

SCALE: 3/8"=1'-0"

FABRICATE (1)

MARK ON BEAM

STEEL - U.N.O.

<u>TYPE OF MEMBER</u>	<u>ASTM SPEC.</u>	<u>F<sub>y</sub></u>
WIDE FLANGE SHAPES	A992	50 KSI
ALL OTHER SHAPES	A36	36 KSI
PLATE	A36 OR A572	36 KSI (MIN)
PIPE SECTIONS	A500 (GRADE B)	42 KSI
STRUCTURAL TUBING (SQ. OR RECT.)	A500 (GRADE B)	46 KSI
CONN. BOLTS	A307	36 KSI
HEADED SHEAR STUDS	A108	49 KSI
THREADED RODS	A36	36 KSI

**CANOPY BEAM**

DRAWN BY: COCKIE  
CHECKED BY:

DATE: 01-08-2011

SHOP DRAWINGS  
**WENATCHEE QUALITY WELDING**  
MOSES LAKE CMC CENTER  
DWG: MOSES LAKE CIVIC CENTER.DWG

**Paradise Ventures, Inc.**

P.O. Box 2441  
Wenatchee, WA 98807  
509.670.9375 - FAX 881.2720

**CW1**