

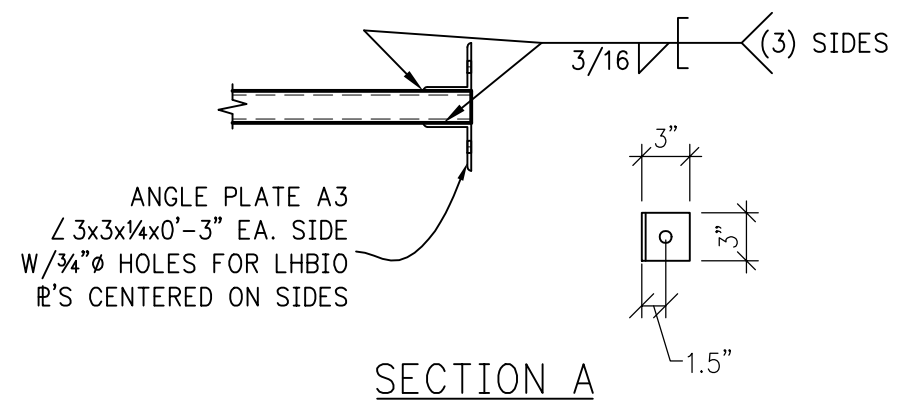
NORTH END TO CANOPY BEAM CW4
CONN. DETAIL 42/ST401

HSS4x2x1/4

SOUTH END TO CANOPY BEAM CW7
CONN. DETAIL 42/ST401

BEAM CW2
SCALE: 3/8" = 1'-0"
FABRICATE (1)

◇ MARK ON BEAM



APPROVED FOR FABRICATION

STEEL - U.N.O.

TYPE OF MEMBER	ASTM SPEC.	F _y
WIDE FLANGE SHAPES	A992	50 KSI
ALL OTHER SHAPES	A36	36 KSI
PLATE	A36 OR A572	36 KSI (MIN)
PIPE SECTIONS	A500 (GRADE B)	42 KSI
STRUCTURAL TUBING (SQ. OR RECT.)	A500 (GRADE B)	46 KSI
CONN. BOLTS	A307	36 KSI
HEADED SHEAR STUDS	A108	49 KSI
THREADED RODS	A36	36 KSI

CANOPY BEAM

SHOP DRAWINGS
WENATCHEE QUALITY WELDING
MOSES LAKE CMC CENTER

Paradise Ventures, Inc.

P.O. Box 2441
Wenatchee, WA 98807
509.670.9375 - FAX 881.2720

CW2

DATE: 01-08-2011
DRAWN BY: COOKIE
CHECKED BY: