

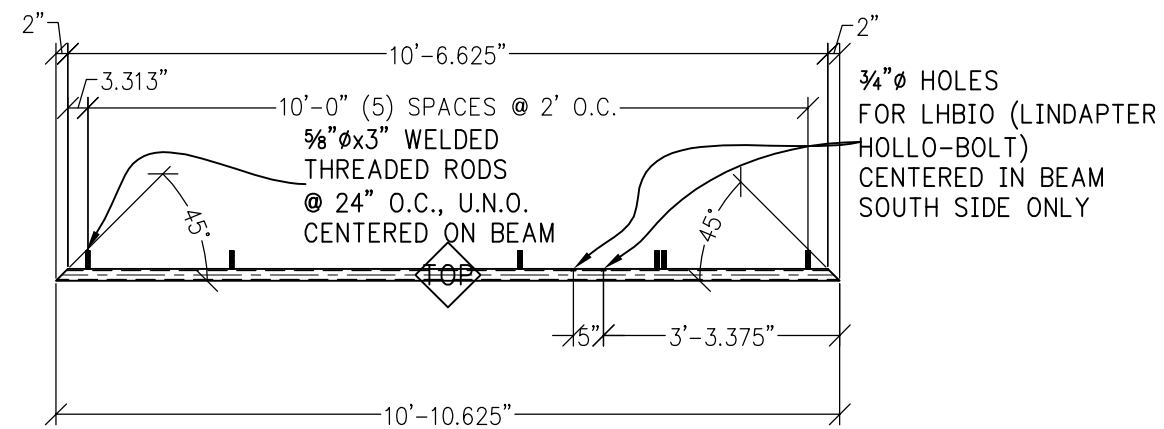
**CANOPY BEAM**

SHOP DRAWINGS  
**WENATCHEE QUALITY WELDING**  
MOSES LAKE CMC CENTER  
DWG: MOSES LAKE CIVIC CENTER.DWG

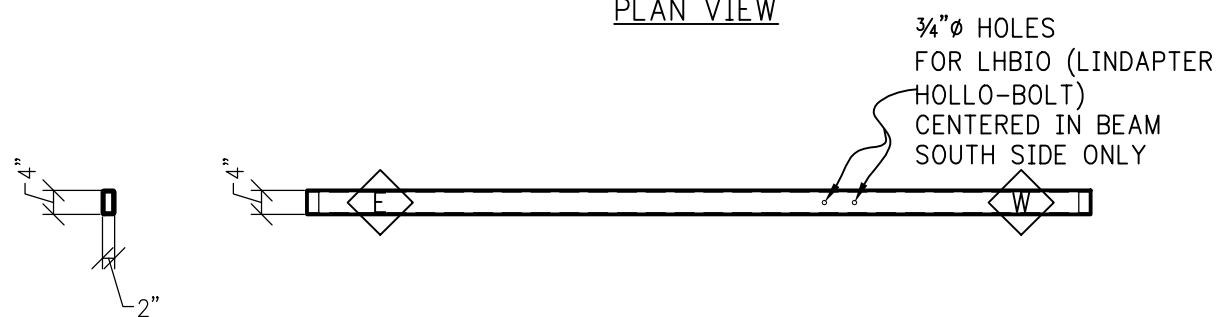
**Paradise Ventures, Inc.**

P.O. Box 2441  
Wenatchee, WA 98807  
509.670.9375 - FAX 881.2720

**CW4**



PLAN VIEW



ELEVATION VIEW

EAST END TO CANOPY BEAM CW3  
CONN. DETAIL 42A/ST401 (SIM)

HSS4x2x1/4

WEST END TO CANOPY BEAM CW1  
CONN. DETAIL 42A/ST401 (SIM)

**BEAM CW4**

SCALE: 3/8"=1'-0"

FABRICATE (1)

MARK ON BEAM

**APPROVED FOR FABRICATION**

STEEL - U.N.O.

<u>TYPE OF MEMBER</u>	<u>ASTM SPEC.</u>	<u>F<sub>y</sub></u>
WIDE FLANGE SHAPES	A992	50 KSI
ALL OTHER SHAPES	A36	36 KSI
PLATE	A36 OR A572	36 KSI (MIN)
PIPE SECTIONS	A500 (GRADE B)	42 KSI
STRUCTURAL TUBING (SQ. OR RECT.)	A500 (GRADE B)	46 KSI
CONN. BOLTS	A307	36 KSI
HEADED SHEAR STUDS	A108	49 KSI
THREADED RODS	A36	36 KSI