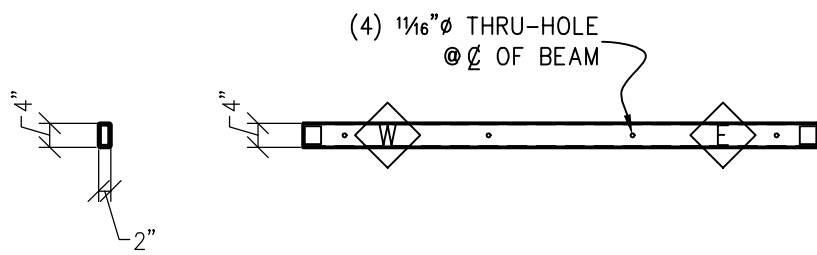


PLAN VIEW



ELEVATION VIEW

WEST END TO CANOPY BEAM CW2
CONN. DETAIL 120/ST710

HSS4x2x1/4

EAST END TO CANOPY BEAM CW3
CONN. DETAIL 42/ST401

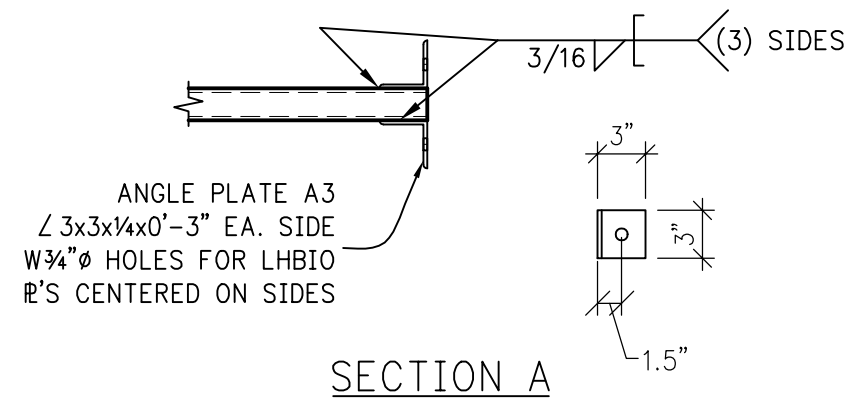
BEAM CW6

SCALE: 3/8"=1'-0"

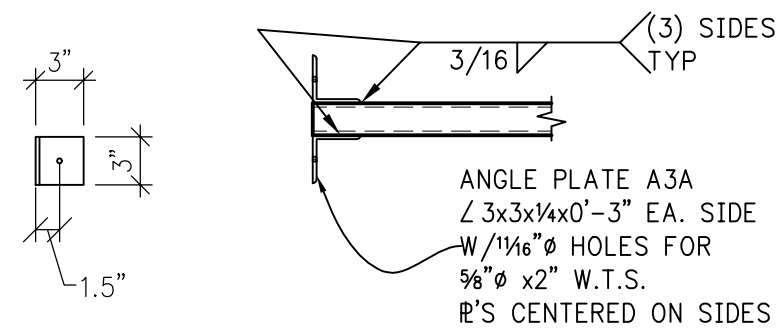
FABRICATE (1)

 MARK ON BEAM

APPROVED FOR FABRICATION



SECTION A



SECTION B

STEEL - U.N.O.

TYPE OF MEMBER	ASTM SPEC.	F _y
WIDE FLANGE SHAPES	A992	50 KSI
ALL OTHER SHAPES	A36	36 KSI
PLATE	A36 OR A572	36 KSI (MIN)
PIPE SECTIONS	A500 (GRADE B)	42 KSI
STRUCTURAL TUBING (SQ. OR RECT.)	A500 (GRADE B)	46 KSI
CONN. BOLTS	A307	36 KSI
HEADED SHEAR STUDS	A108	49 KSI
THREADED RODS	A36	36 KSI

CANOPY BEAM

SHOP DRAWINGS
WENATCHEE QUALITY WELDING
MOSES LAKE CMC CENTER

Paradise Ventures, Inc.

P.O. Box 2441
Wenatchee, WA 98807
509.670.9375 - FAX 881.2720

CW6

DRAWN BY: COOKIE
CHECKED BY:

DATE: 01-08-2011

DWG: MOSES LAKE CIVIC CENTER.DWG