

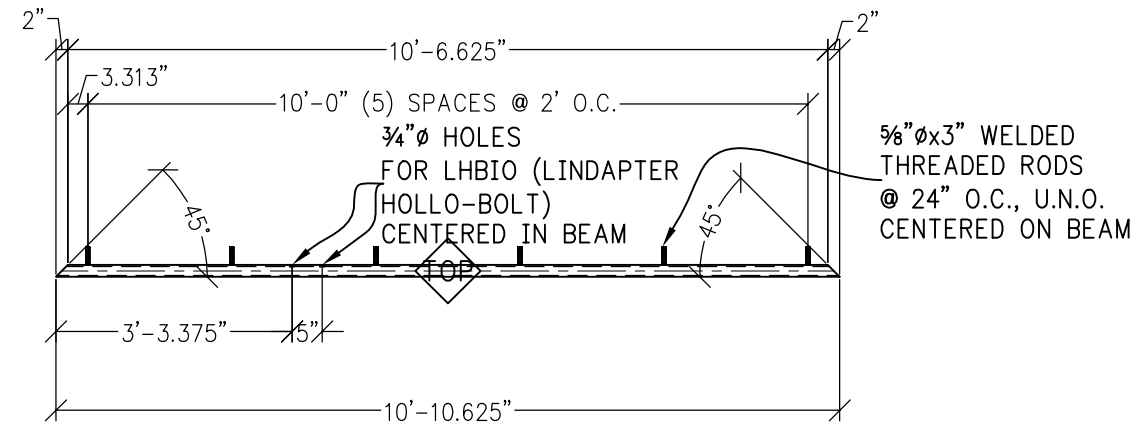
CANOPY BEAM

SHOP DRAWINGS
WENATCHEE QUALITY WELDING
MOSES LAKE CMC CENTER
DWG: MOSES LAKE CIVIC CENTER.DWG

Paradise Ventures, Inc.

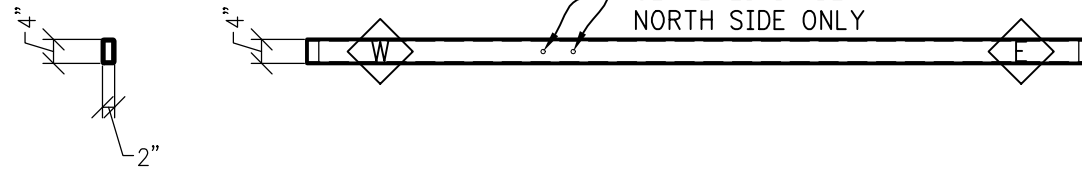
P.O. Box 2441
Wenatchee, WA 98807
509.670.9375 - FAX 881.2720

CW7



PLAN VIEW

5/16" ϕ HOLES (VERIFY)
FOR LHBIO (LINDAPTER
HOLLO-BOLT)
CENTERED IN BEAM
NORTH SIDE ONLY



ELEVATION VIEW

WEST END TO CANOPY BEAM CW1
CONN. DETAIL 42A/ST401 (SIM)

HSS4x2x1/4

EAST END TO CANOPY BEAM CW3
CONN. DETAIL 42A/ST401 (SIM)

BEAM CW7

SCALE: 3/8"=1'-0"

FABRICATE (1)

MARK ON BEAM

STEEL - U.N.O.

TYPE OF MEMBER	ASTM SPEC.	F _y
WIDE FLANGE SHAPES	A992	50 KSI
ALL OTHER SHAPES	A36	36 KSI
PLATE	A36 OR A572	36 KSI (MIN)
PIPE SECTIONS	A500 (GRADE B)	42 KSI
STRUCTURAL TUBING (SQ. OR RECT.)	A500 (GRADE B)	46 KSI
CONN. BOLTS	A307	36 KSI
HEADED SHEAR STUDS	A108	49 KSI
THREADED RODS	A36	36 KSI

APPROVED FOR FABRICATION