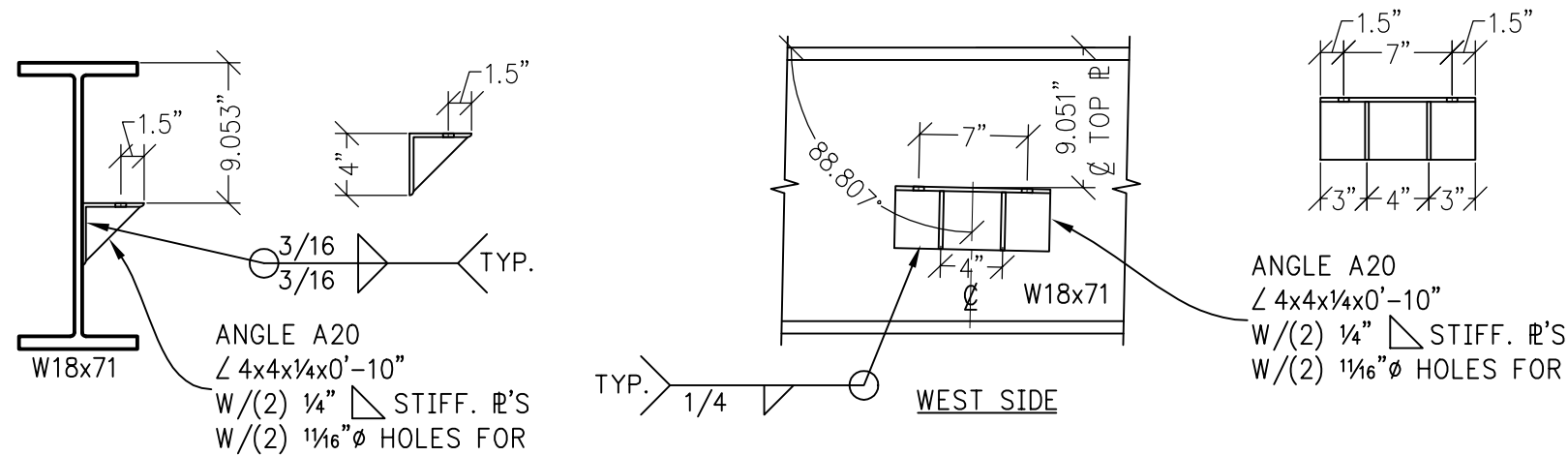


SECTION C



SECTION C1

STEEL - U.N.O.

TYPE OF MEMBER	ASTM SPEC.	F_y
WIDE FLANGE SHAPES	A992	50 KSI
ALL OTHER SHAPES	A36	36 KSI
PLATE	A36 OR A572	36 KSI (MIN)
PIPE SECTIONS	A500 (GRADE B)	42 KSI
STRUCTURAL TUBING (SQ. OR RECT.)	A500 (GRADE B)	46 KSI
CONN. BOLTS	A307	36 KSI
HEADED SHEAR STUDS	A108	49 KSI
THREADED RODS	A36	36 KSI

APPROVED FOR FABRICATION

BEAM/GIRDER

SHOP DRAWINGS
 WENATCHEE QUALITY WELDING
 MOSES LAKE CMC CENTER

Paradise Ventures, Inc.

P.O. Box 2441
 Wenatchee, WA 98807
 509.670.9375 - FAX 881.2720

RB39

DRAWN BY: COOKE
 CHECKED BY:

DATE: 01-08-2011

DWG: MOSES LAKE CIVIC CENTER.DWG