

**APPROVED FOR FABRICATION**

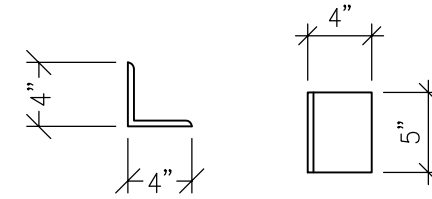
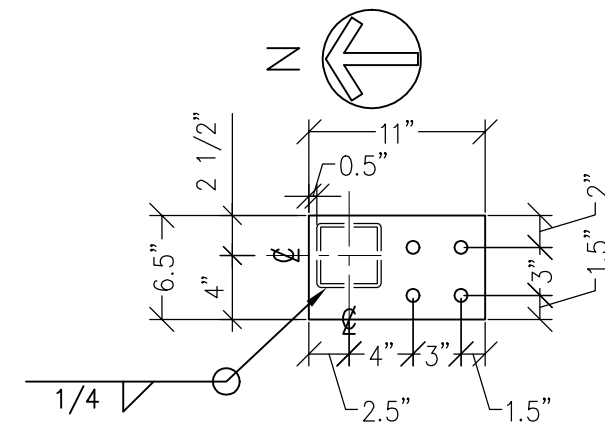


PLATE A12  
 L 4x4x3/8x0'-5"



STEEL - U.N.O.

TYPE OF MEMBER	ASTM SPEC.	F <sub>y</sub>
WIDE FLANGE SHAPES	A992	50 KSI
ALL OTHER SHAPES	A36	36 KSI
PLATE	A36 OR A572	36 KSI (MIN)
PIPE SECTIONS	A500 (GRADE B)	42 KSI
STRUCTURAL TUBING (SQ. OR RECT.)	A500 (GRADE B)	46 KSI
CONN. BOLTS	A307	36 KSI
HEADED SHEAR STUDS	A108	49 KSI
THREADED RODS	A36	36 KSI

91/ST704

HSS4"x4"x1/4" FABRICATE (1)

**COLUMN S1**

SCALE: 1/2"=1'-0"

M MARK ON COLUMN

PAGE 1 OF 1

COLUMN

SHOP DRAWINGS  
 WENATCHEE QUALITY WELDING  
 MOSES LAKE CIVIC CENTER

Paradise Ventures, Inc.

P.O. Box 2441  
 Wenatchee, WA 98807  
 509.670.9375 - FAX 881.2720

S1

DRAWN BY: COOKIE  
 CHECKED BY:

DATE: 01-03-2011

DWG: MOSES LAKE CIVIC CENTER.DWG