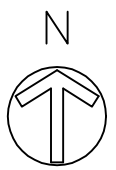
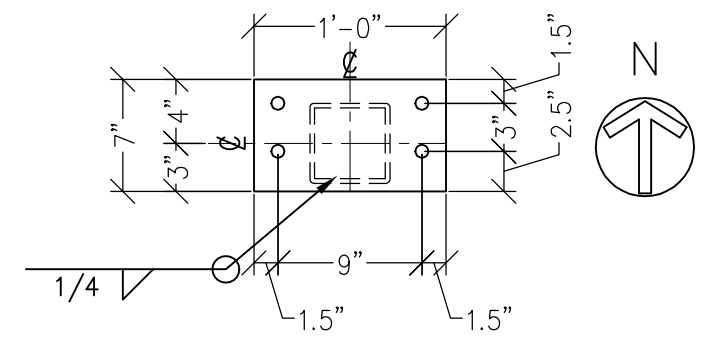
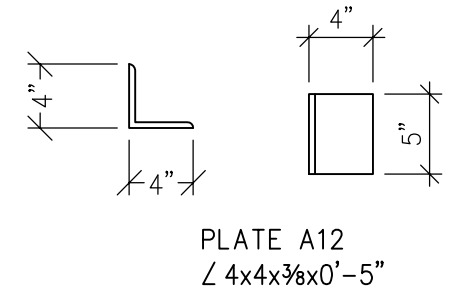
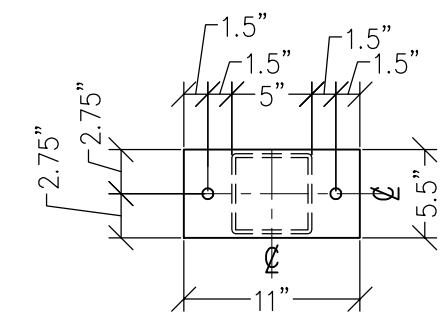


APPROVED FOR FABRICATION



93/ST704
COLUMN S4
 SCALE: 1/2"=1'-0"
 SOUTH SIDE
 HSS5"x5"x5/16" FABRICATE (1)
 MARK ON COLUMN

STEEL - U.N.O.	ASTM SPEC.	F _y
WIDE FLANGE SHAPES	A992	50 KSI
ALL OTHER SHAPES	A36	36 KSI
PLATE	A36 OR A572	36 KSI (MIN)
PIPE SECTIONS	A500 (GRADE B)	42 KSI
STRUCTURAL TUBING (SQ. OR RECT.)	A500 (GRADE B)	46 KSI
CONN. BOLTS	A307	36 KSI
HEADED SHEAR STUDS	A108	49 KSI
THREADED RODS	A36	36 KSI

Paradise Ventures, Inc.
 P.O. Box 2441
 Wenatchee, WA 98807
 509.670.9375 - FAX 881.2720

SHOP DRAWINGS
WENATCHEE QUALITY WELDING
MOSES LAKE CIVIC CENTER
 DWG: MOSES LAKE CIVIC CENTER.DWG

COLUMN

DRAWN BY: COOKIE
 CHECKED BY:

DATE: 01-03-2011

S4