

EAST SIDE

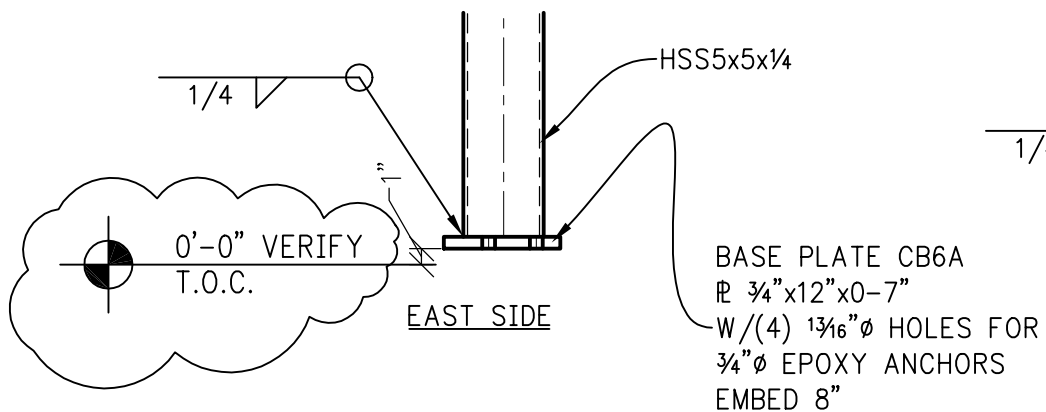
HSS5"x5"x1/4" FABRICATE (1)

**COLUMN S9**

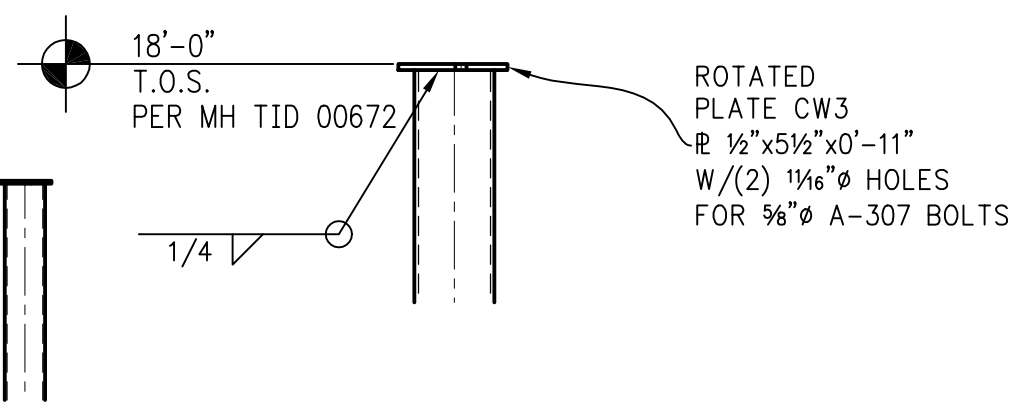
SCALE: 1/2"=1'-0"

**M** MARK ON COLUMN

**APPROVED FOR FABRICATION**



BASE PLATE CB6A  
 P 3/4"x12"x0-7"  
 W/(4) 1 3/16" Ø HOLES FOR  
 3/4" Ø EPOXY ANCHORS  
 EMBED 8"



ROTATED  
 PLATE CW3  
 P 1/2"x5 1/2"x0'-11"  
 W/(2) 1 1/16" Ø HOLES  
 FOR 5/8" Ø A-307 BOLTS

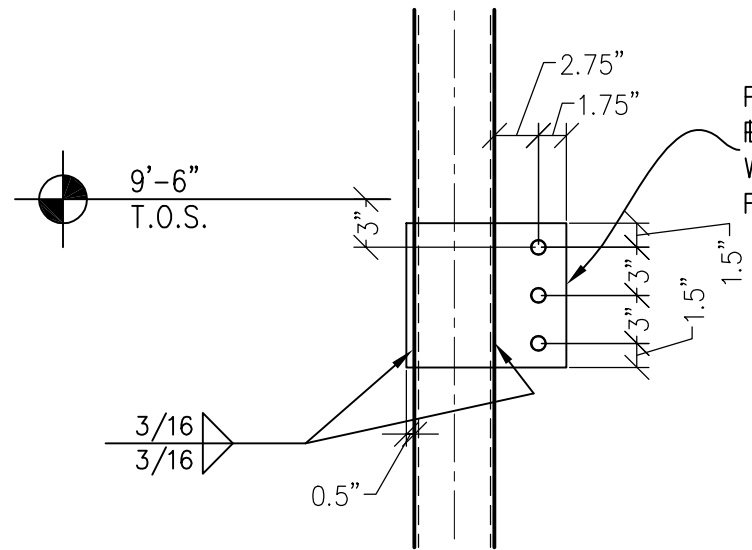


PLATE T2A  
 P 1/4"x9"x10"  
 W/(3) 1 5/16" Ø HOLES  
 FOR 7/8" Ø A325N BOLTS

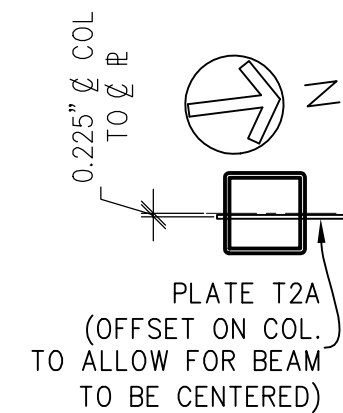
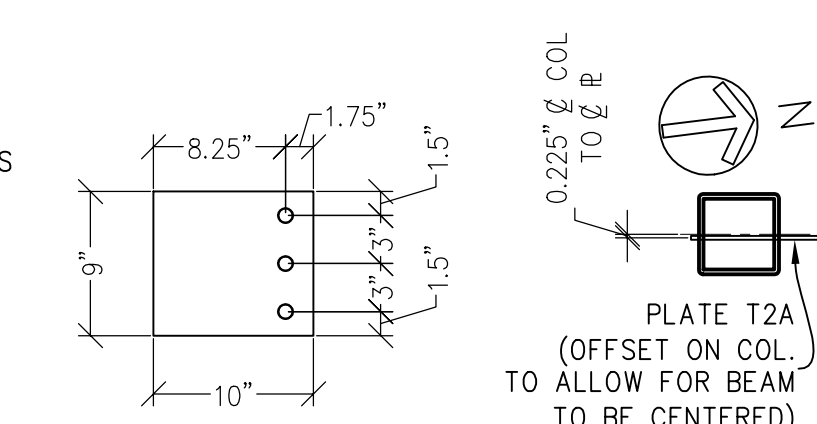
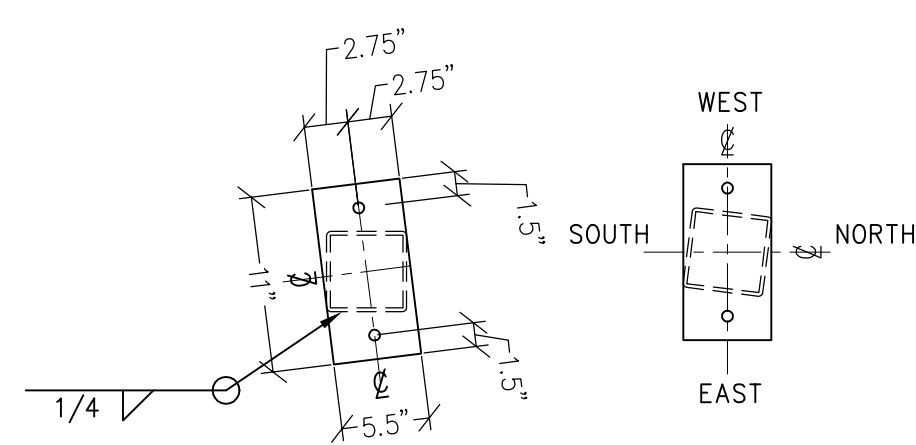
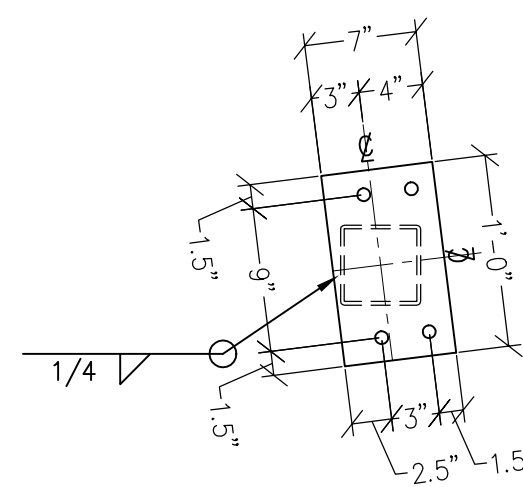
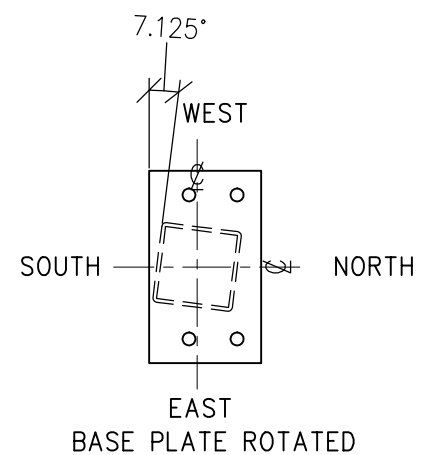


PLATE T2A  
 (OFFSET ON COL.  
 TO ALLOW FOR BEAM  
 TO BE CENTERED)



STEEL - U.N.O.

TYPE OF MEMBER	ASTM SPEC.	F <sub>y</sub>
WIDE FLANGE SHAPES	A992	50 KSI
ALL OTHER SHAPES	A36	36 KSI
PLATE	A36 OR A572	36 KSI (MIN)
PIPE SECTIONS	A500 (GRADE B)	42 KSI
STRUCTURAL TUBING (SQ. OR RECT.)	A500 (GRADE B)	46 KSI
CONN. BOLTS	A307	36 KSI
HEADED SHEAR STUDS	A108	49 KSI
THREADED RODS	A36	36 KSI



EAST  
 BASE PLATE ROTATED

**COLUMN**

SHOP DRAWINGS  
**WENATCHEE QUALITY WELDING**  
 MOSES LAKE CIVIC CENTER

**Paradise Ventures, Inc.**

P.O. Box 2441  
 Wenatchee, WA 98807  
 509.670.9375 - FAX 881.2720

**S9**

DRAWN BY: COOKE  
 CHECKED BY:

DATE: 01-03-2011