

WEST SIDE

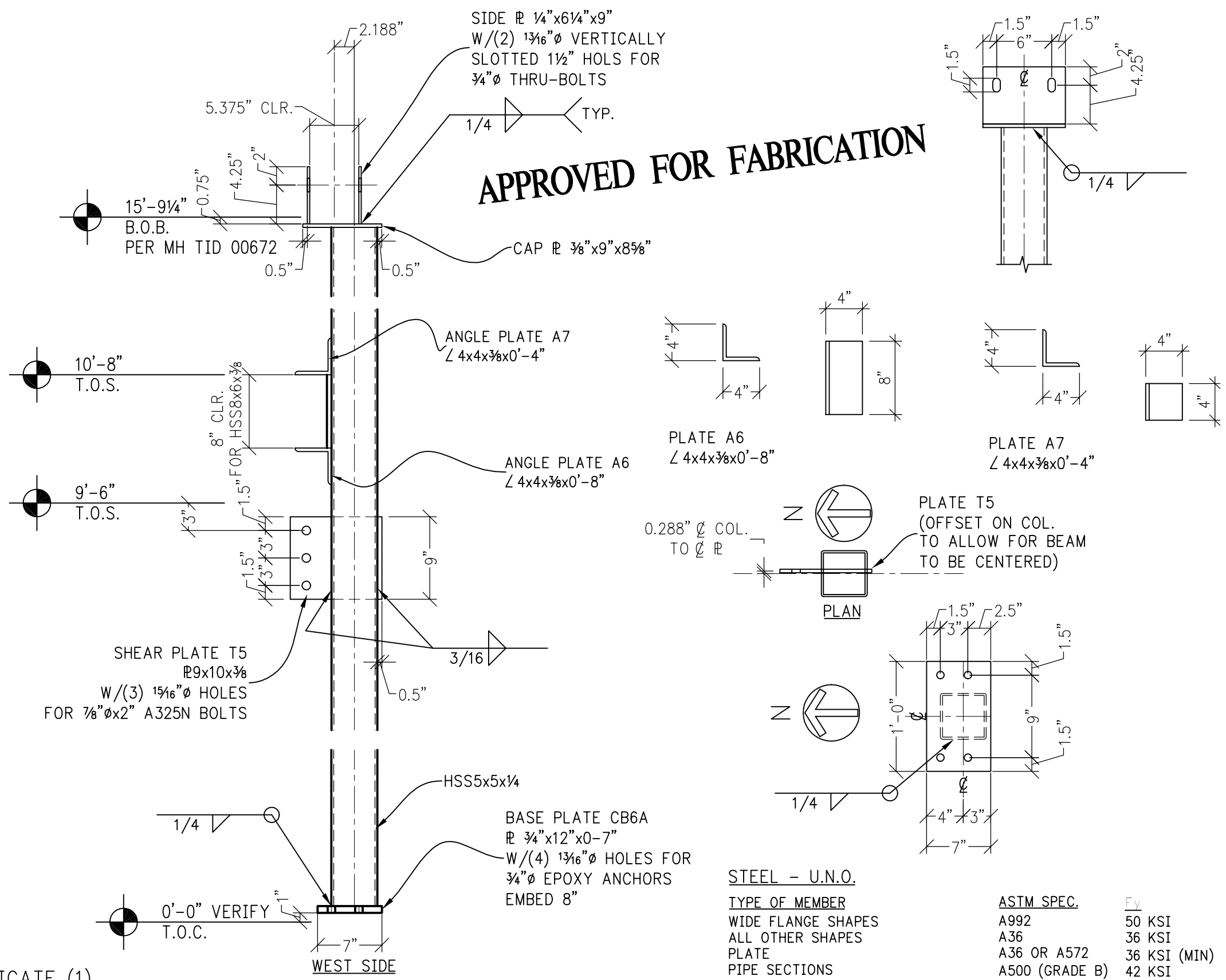
HSS5"x5"x1/4" FABRICATE (1)

99/ST706

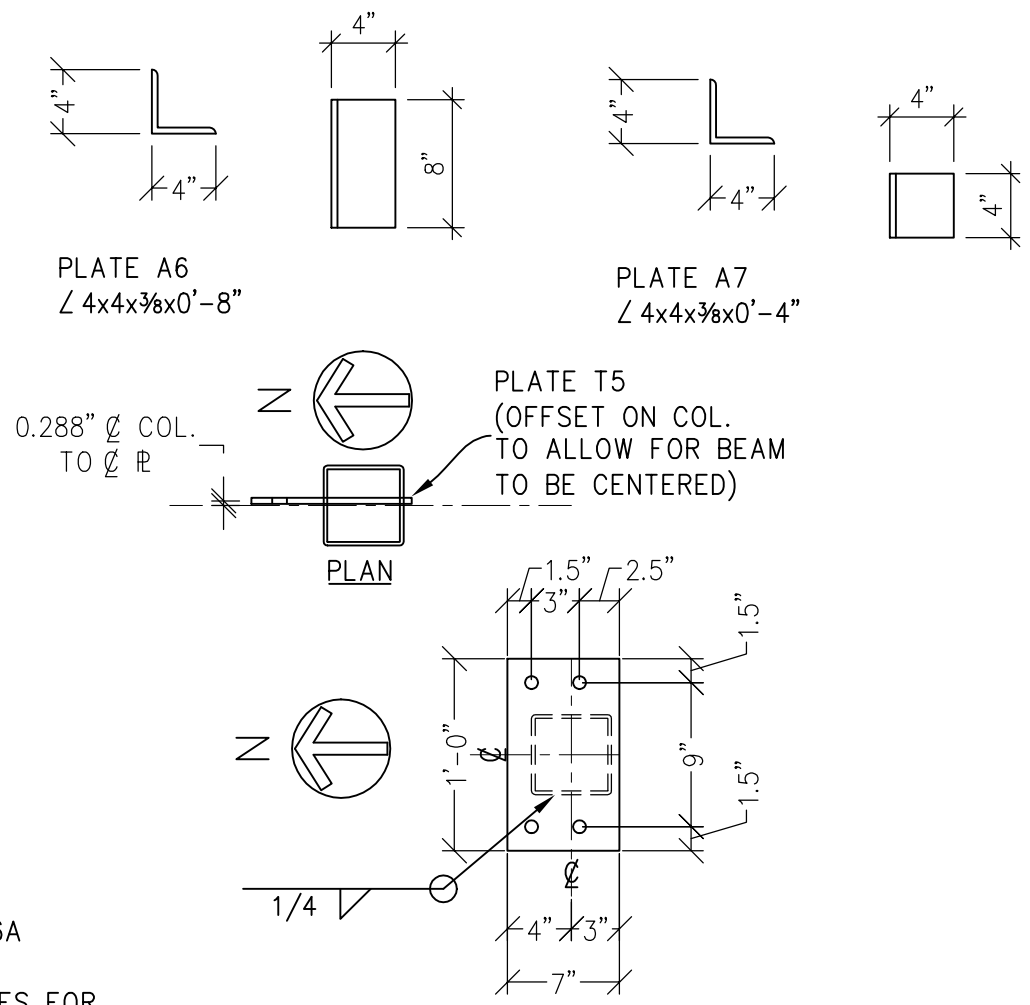
**COLUMN S11**

SCALE: 1/2"=1'-0"

**M** MARK ON COLUMN



**APPROVED FOR FABRICATION**



STEEL - U.N.O.

| TYPE OF MEMBER                   | ASTM SPEC.     | F <sub>y</sub> |
|----------------------------------|----------------|----------------|
| WIDE FLANGE SHAPES               | A992           | 50 KSI         |
| ALL OTHER SHAPES                 | A36            | 36 KSI         |
| PLATE                            | A36 OR A572    | 36 KSI (MIN)   |
| PIPE SECTIONS                    | A500 (GRADE B) | 42 KSI         |
| STRUCTURAL TUBING (SQ. OR RECT.) | A500 (GRADE B) | 46 KSI         |
| CONN. BOLTS                      | A307           | 36 KSI         |
| HEADED SHEAR STUDS               | A108           | 49 KSI         |
| THREADED RODS                    | A36            | 36 KSI         |

Paradise Ventures, Inc.

P.O. Box 2441  
Wenatchee, WA 98807  
509.670.9375 - FAX 881.2720

**S11**

SHOP DRAWINGS  
**WENATCHEE QUALITY WELDING**  
MOSES LAKE CIVIC CENTER  
DWG: MOSES LAKE CIVIC CENTER.DWG

**COLUMN**

DRAWN BY: COOKE  
CHECKED BY:

DATE: 01-03-2011