

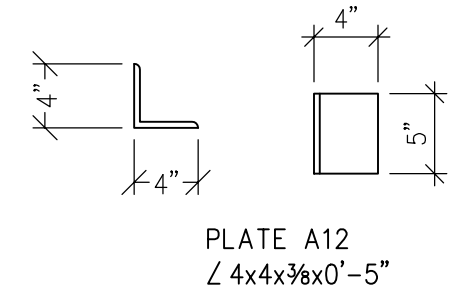
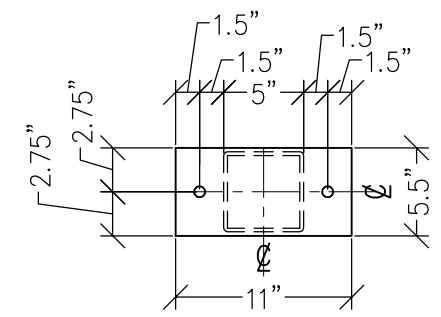
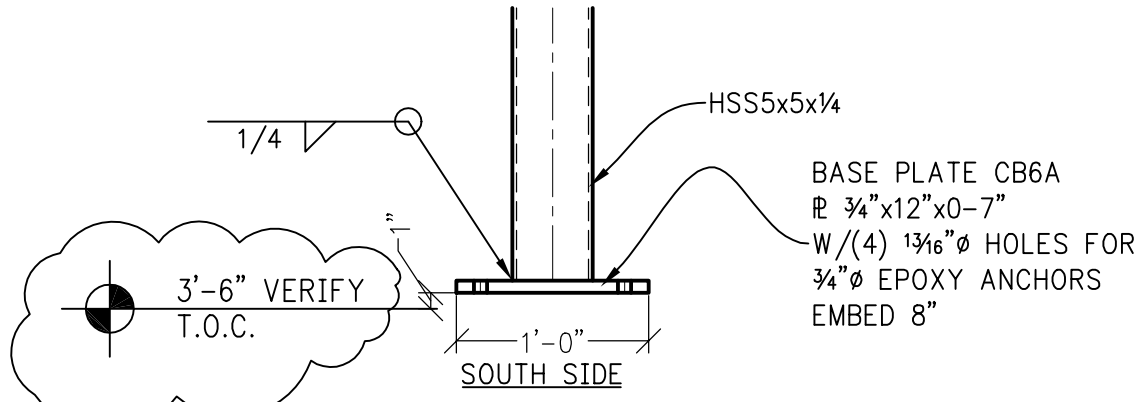
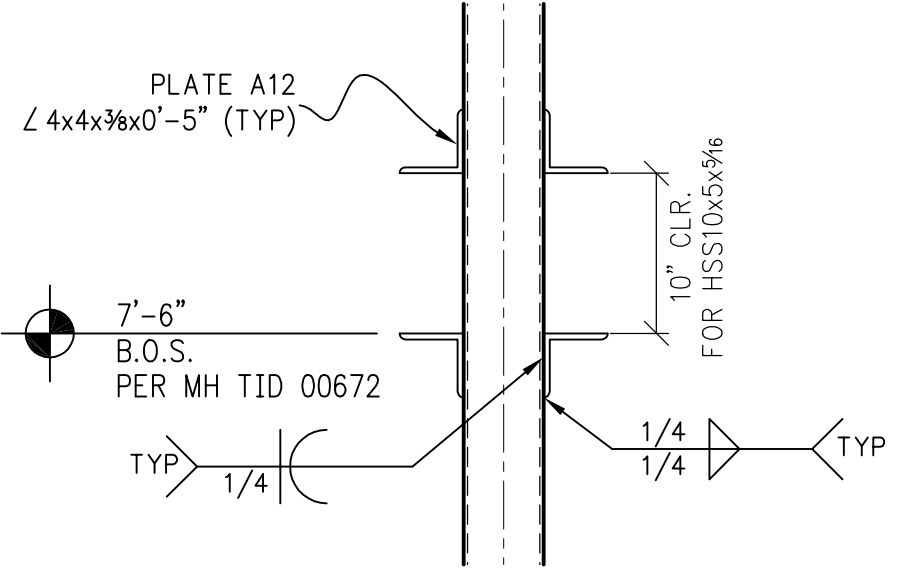
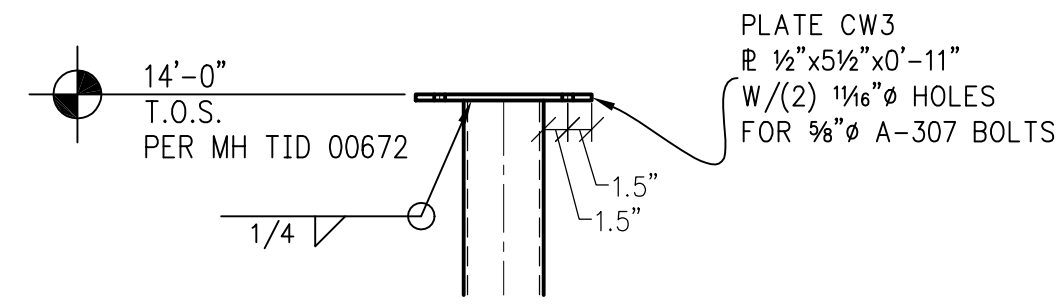
94/ST704

HSS5"x5"x1/4" FABRICATE (1)

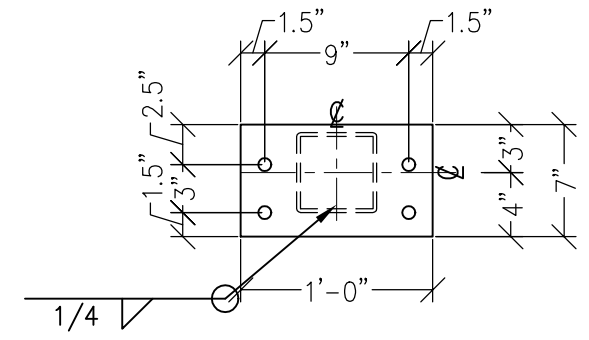
**COLUMN S12**

SCALE: 1/2"=1'-0"

MARK ON COLUMN



**APPROVED FOR FABRICATION**



**STEEL - U.N.O.**

TYPE OF MEMBER	ASTM SPEC.	F <sub>y</sub>
WIDE FLANGE SHAPES	A992	50 KSI
ALL OTHER SHAPES	A36	36 KSI
PLATE	A36 OR A572	36 KSI (MIN)
PIPE SECTIONS	A500 (GRADE B)	42 KSI
STRUCTURAL TUBING (SQ. OR RECT.)	A500 (GRADE B)	46 KSI
CONN. BOLTS	A307	36 KSI
HEADED SHEAR STUDS	A108	49 KSI
THREADED RODS	A36	36 KSI

Paradise Ventures, Inc.

P.O. Box 2441  
Wenatchee, WA 98807  
509.670.9375 - FAX 881.2720

**S12**

SHOP DRAWINGS  
**WENATCHEE QUALITY WELDING**  
MOSES LAKE CIVIC CENTER

DWG: MOSES LAKE CIVIC CENTER.DWG

**COLUMN**

DRAWN BY: COOKE  
CHECKED BY:

DATE: 01-03-2011