

27'-9.155"
OVERALL BOT. OF BASE Φ
TO Φ OF TOP OF CAP Φ (CAP Φ SLOPED)

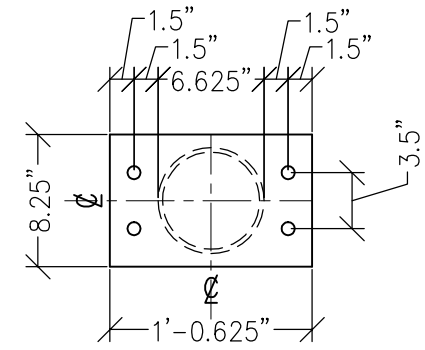
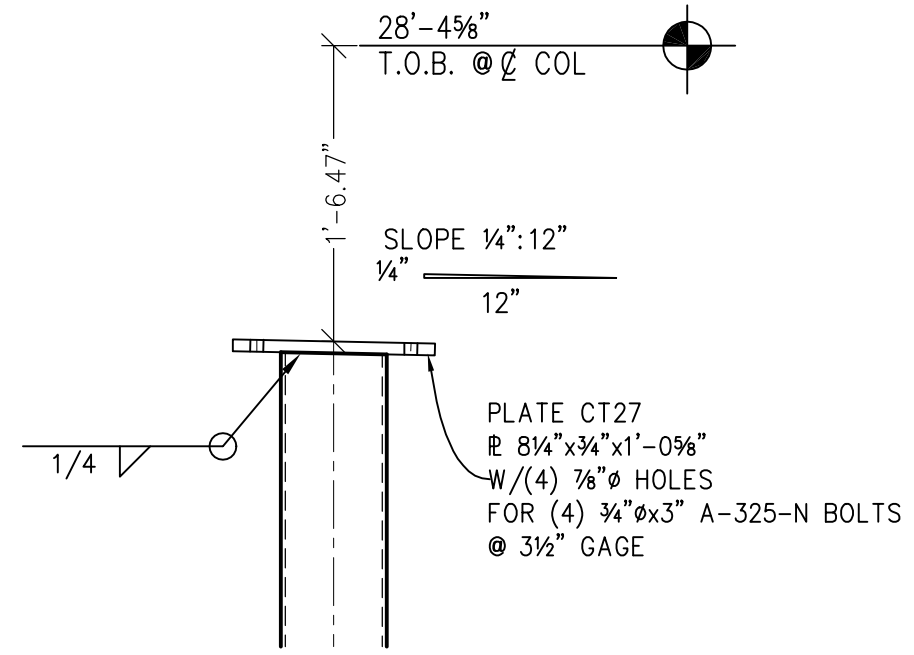
EAST SIDE

PIPE 6" Φ STD. FABRICATE (1)

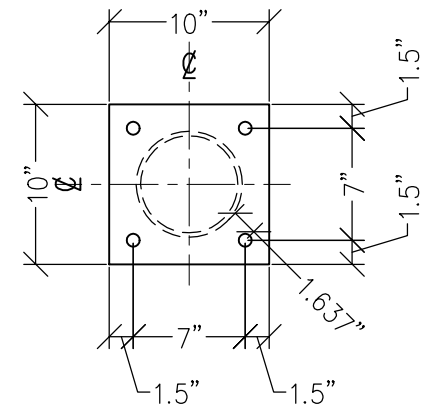
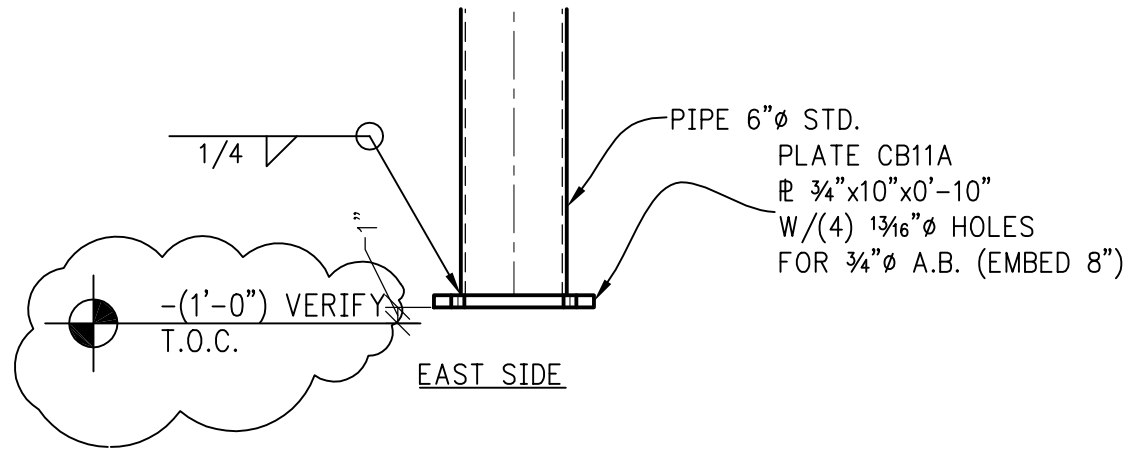
COLUMN S35

SCALE: 1/2" = 1'-0"

 MARK ON COLUMN



APPROVED FOR FABRICATION



STEEL - U.N.O.

| TYPE OF MEMBER | ASTM SPEC. | F _y |
|----------------------------------|----------------|----------------|
| WIDE FLANGE SHAPES | A992 | 50 KSI |
| ALL OTHER SHAPES | A36 | 36 KSI |
| PLATE | A36 OR A572 | 36 KSI (MIN) |
| PIPE SECTIONS | A500 (GRADE B) | 42 KSI |
| STRUCTURAL TUBING (SQ. OR RECT.) | A500 (GRADE B) | 46 KSI |
| CONN. BOLTS | A307 | 36 KSI |
| HEADED SHEAR STUDS | A108 | 49 KSI |
| THREADED RODS | A36 | 36 KSI |

Paradise Ventures, Inc.

P.O. Box 2441
 Wenatchee, WA 98807
 509.670.9375 - FAX 881.2720

SHOP DRAWINGS
WENATCHEE QUALITY WELDING
 MOSES LAKE CIVIC CENTER

DWG: MOSES LAKE CIVIC CENTER.DWG

COLUMN

DRAWN BY: COOKIE
 CHECKED BY:

DATE: 01-03-2011

S35