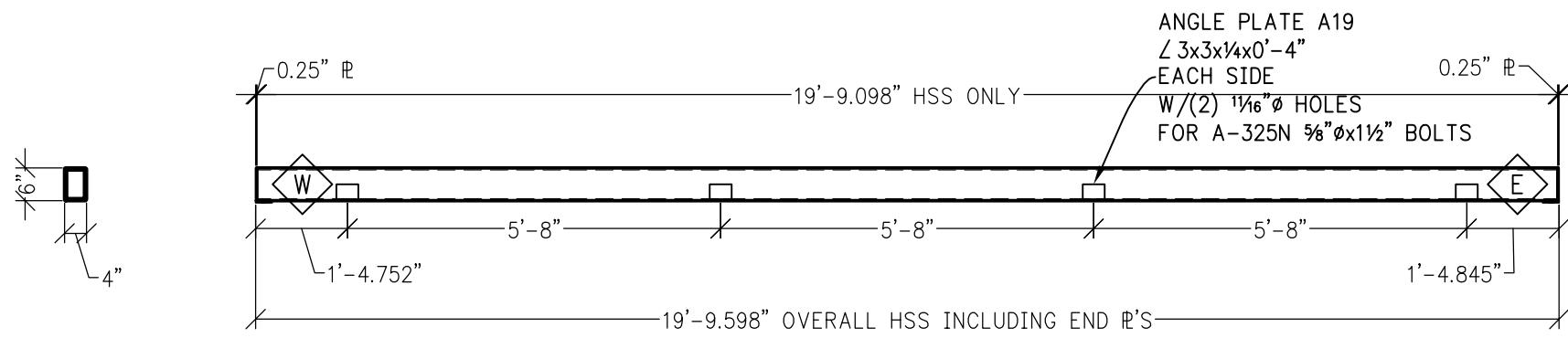
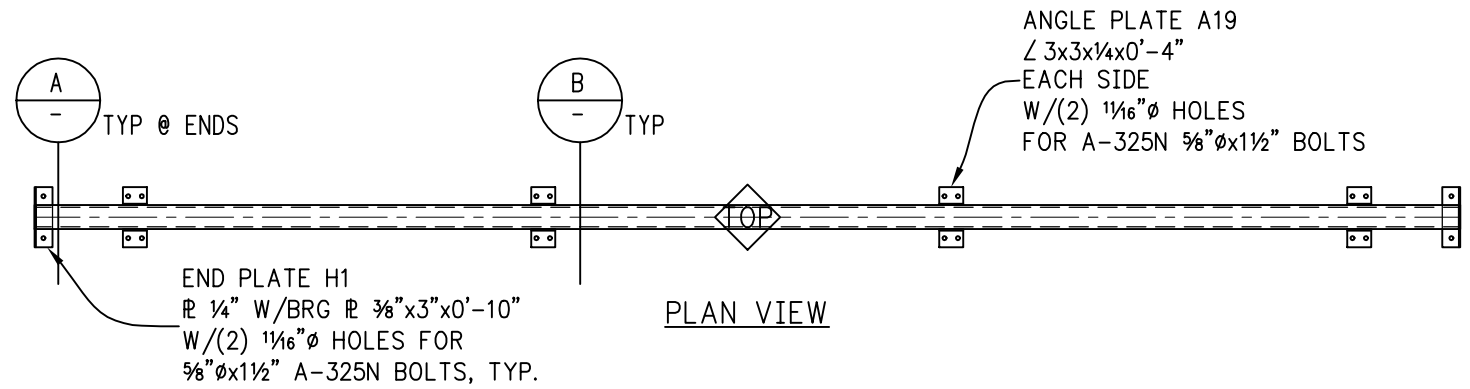


APPROVED FOR FABRICATION

SHEET 1 OF 2



BEAM RS40A

SCALE: 3/8"=1'-0"

FABRICATE (2)

\diamond MK MARK ON BEAM

STEEL - U.N.O.

TYPE OF MEMBER	ASTM SPEC.	F_y
WIDE FLANGE SHAPES	A992	50 KSI
ALL OTHER SHAPES	A36	36 KSI
PLATE	A36 OR A572	36 KSI (MIN)
PIPE SECTIONS	A500 (GRADE B)	42 KSI
STRUCTURAL TUBING (SQ. OR RECT.)	A500 (GRADE B)	46 KSI
CONN. BOLTS	A307	36 KSI
HEADED SHEAR STUDS	A108	49 KSI
THREADED RODS	A36	36 KSI

Paradise Ventures, Inc.

P.O. Box 2441
 Wenatchee, WA 98807
 509.670.9375 - FAX 881.2720

RS40A

SHOP DRAWINGS
WENATCHEE QUALITY WELDING
 MOSES LAKE CMC CENTER
 DWG: MOSES LAKE CIVIC CENTER.DWG

ROOF BEAM

DRAWN BY: COOKIE
 CHECKED BY:

DATE: 01-08-2011