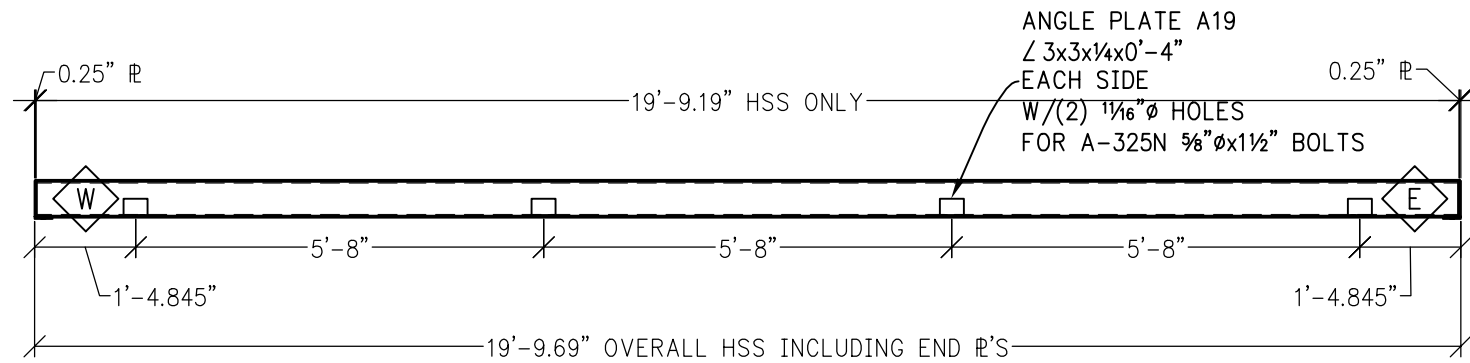
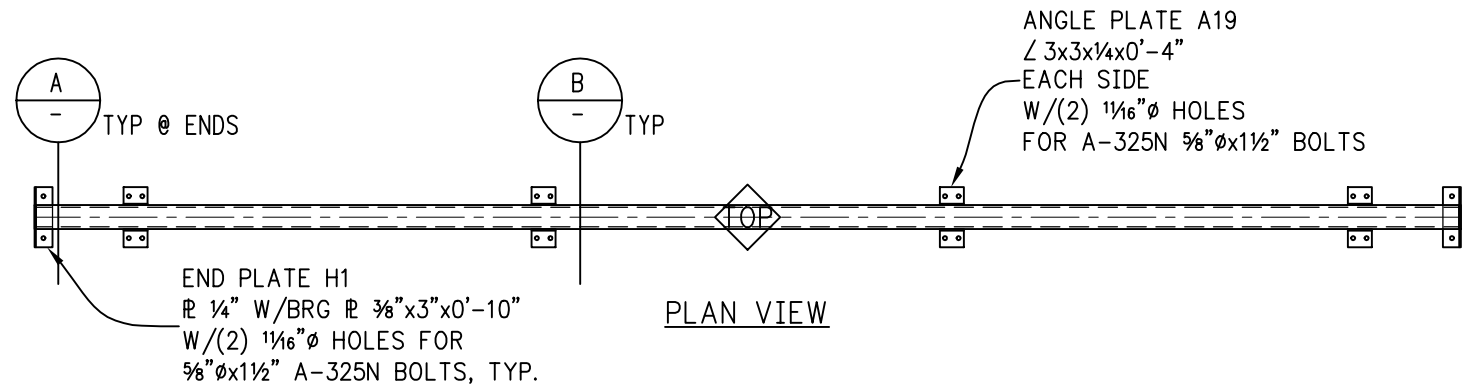


**APPROVED FOR FABRICATION**

SHEET 1 OF 2



WEST END TO RB31  
 CONN. DETAIL 114A/ST709

HSS6x4x3/8

EAST END TO RB31  
 CONN. DETAIL 114A/ST709

**BEAM RS41**

SCALE: 3/8"=1'-0"

FABRICATE (7)

$\diamond$  MK MARK ON BEAM

STEEL - U.N.O.

TYPE OF MEMBER	ASTM SPEC.	$F_y$
WIDE FLANGE SHAPES	A992	50 KSI
ALL OTHER SHAPES	A36	36 KSI
PLATE	A36 OR A572	36 KSI (MIN)
PIPE SECTIONS	A500 (GRADE B)	42 KSI
STRUCTURAL TUBING (SQ. OR RECT.)	A500 (GRADE B)	46 KSI
CONN. BOLTS	A307	36 KSI
HEADED SHEAR STUDS	A108	49 KSI
THREADED RODS	A36	36 KSI

Paradise Ventures, Inc.

P.O. Box 2441  
 Wenatchee, WA 98807  
 509.670.9375 - FAX 881.2720

SHOP DRAWINGS  
**WENATCHEE QUALITY WELDING**  
 MOSES LAKE CMC CENTER  
 DWG: MOSES LAKE CIVIC CENTER.DWG

**ROOF BEAM**

DRAWN BY: COOKIE  
 CHECKED BY:

DATE: 01-08-2011

**RS41**