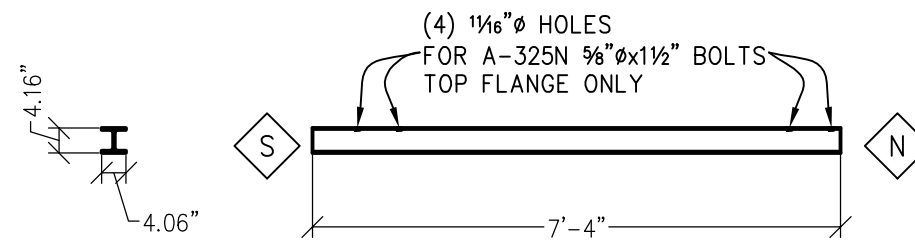
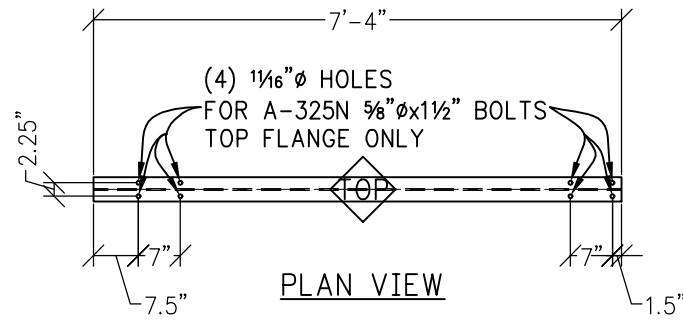


APPROVED FOR FABRICATION



SOUTH END TO HSS6x4x3/8
CONN. DETAIL 115/ST709

ELEVATION VIEW

W4x13

NORTH END TO HSS6x4x3/8
CONN. DETAIL 115/ST709

BEAM RS42

SCALE: 3/8"=1'-0"

FABRICATE (36)

MARK ON BEAM

STEEL - U.N.O.

<u>TYPE OF MEMBER</u>	<u>ASTM SPEC.</u>	<u>F_y</u>
WIDE FLANGE SHAPES	A992	50 KSI
ALL OTHER SHAPES	A36	36 KSI
PLATE	A36 OR A572	36 KSI (MIN)
PIPE SECTIONS	A500 (GRADE B)	42 KSI
STRUCTURAL TUBING (SQ. OR RECT.)	A500 (GRADE B)	46 KSI
CONN. BOLTS	A307	36 KSI
HEADED SHEAR STUDS	A108	49 KSI
THREADED RODS	A36	36 KSI

SHEET 1 OF 1

Paradise Ventures, Inc.

P.O. Box 2441
Wenatchee, WA 98807
509.670.9375 - FAX 881.2720

SHOP DRAWINGS
WENATCHEE QUALITY WELDING
MOSES LAKE CMC CENTER

DWG: MOSES LAKE CIVIC CENTER.DWG

ROOF BEAM

DRAWN BY: COOKE
CHECKED BY:

DATE: 01-08-2011

RS42