

CANOPY BEAM

DATE: 01-08-2011

DRAWN BY: COOKE
CHECKED BY:

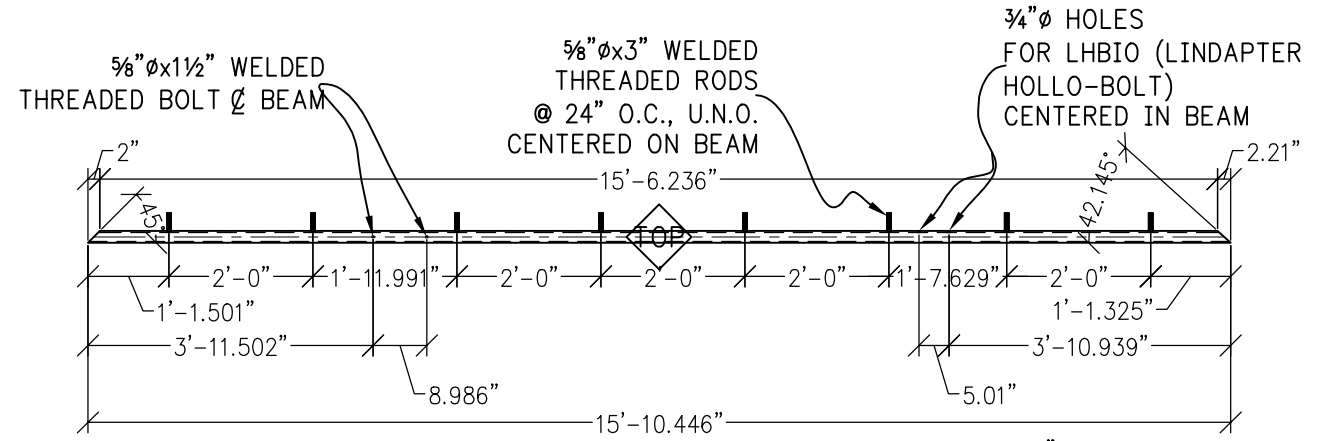
**SHOP DRAWINGS
WENATCHEE QUALITY WELDING
MOSES LAKE CIVIC CENTER**

DWG: MOSES LAKE CIVIC CENTER.DWG

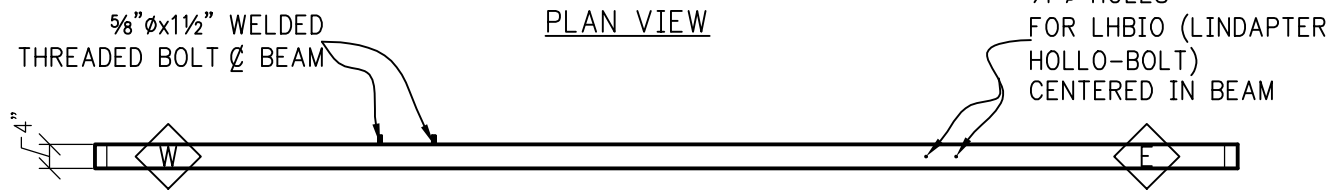
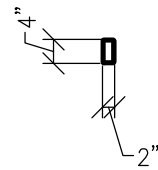
Paradise Ventures, Inc.

P.O. Box 2441
Wenatchee, WA 98807
509.670.9375 - FAX 881.2720

SE22



PLAN VIEW



ELEVATION VIEW

NORTH END TO CANOPY BEAM SE25
CONN. DETAIL 42A/ST401 (SIM)

HSS4x2x1/4

SOUTH END TO CANOPY BEAM SE29
CONN. DETAIL 42A/ST401 (SIM)

BEAM SE22

SCALE: 3/8"=1'-0"

FABRICATE (1)

MARK ON BEAM

STEEL - U.N.O.

<u>TYPE OF MEMBER</u>	<u>ASTM SPEC.</u>	<u>F_y</u>
WIDE FLANGE SHAPES	A992	50 KSI
ALL OTHER SHAPES	A36	36 KSI
PLATE	A36 OR A572	36 KSI (MIN)
PIPE SECTIONS	A500 (GRADE B)	42 KSI
STRUCTURAL TUBING (SQ. OR RECT.)	A500 (GRADE B)	46 KSI
CONN. BOLTS	A307	36 KSI
HEADED SHEAR STUDS	A108	49 KSI
THREADED RODS	A36	36 KSI

APPROVED FOR FABRICATION