

OUTER REAR VIEW MIRROR > REMOVAL
OUTER REAR VIEW MIRROR > REMOVAL

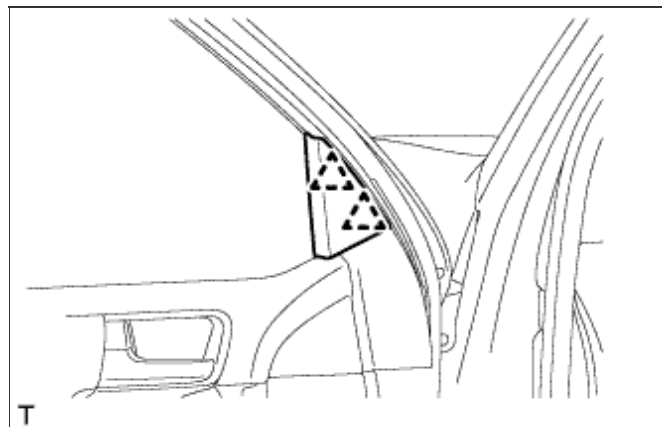
 for Preparation [Click here](#)
HINT:

- Use the same procedure for the RH and LH sides.
- The procedure listed below is for the LH side.

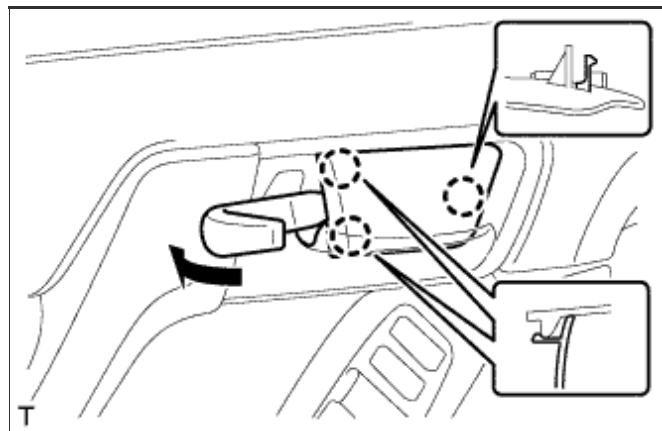
1. REMOVE FRONT DOOR LOWER FRAME BRACKET GARNISH LH
2. REMOVE NO. 2 DOOR INSIDE HANDLE BEZEL LH
3. REMOVE ASSIST GRIP COVER LH
4. REMOVE FRONT DOOR TRIM BOARD SUB-ASSEMBLY LH
5. REMOVE FRONT DOOR INNER GLASS WEATHERSTRIP LH
6. REMOVE OUTER REAR VIEW MIRROR ASSEMBLY LH

1. REMOVE FRONT DOOR LOWER FRAME BRACKET GARNISH LH

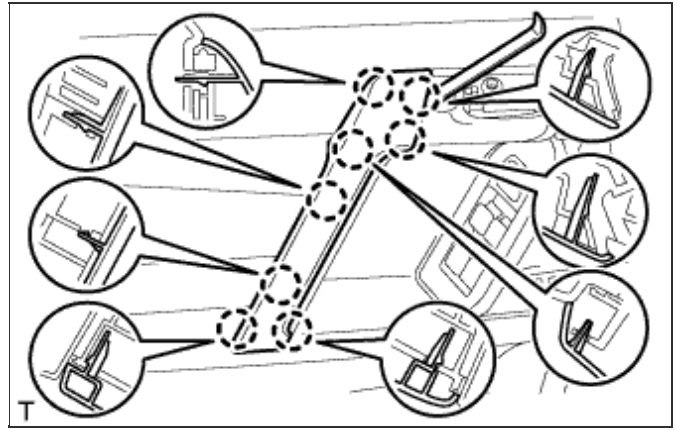
- a. Detach the 2 clips and remove the front door lower frame bracket garnish LH.


2. REMOVE NO. 2 DOOR INSIDE HANDLE BEZEL LH

- a. Using a moulding remover, detach the 3 claws and remove the inside handle bezel as shown in the illustration.

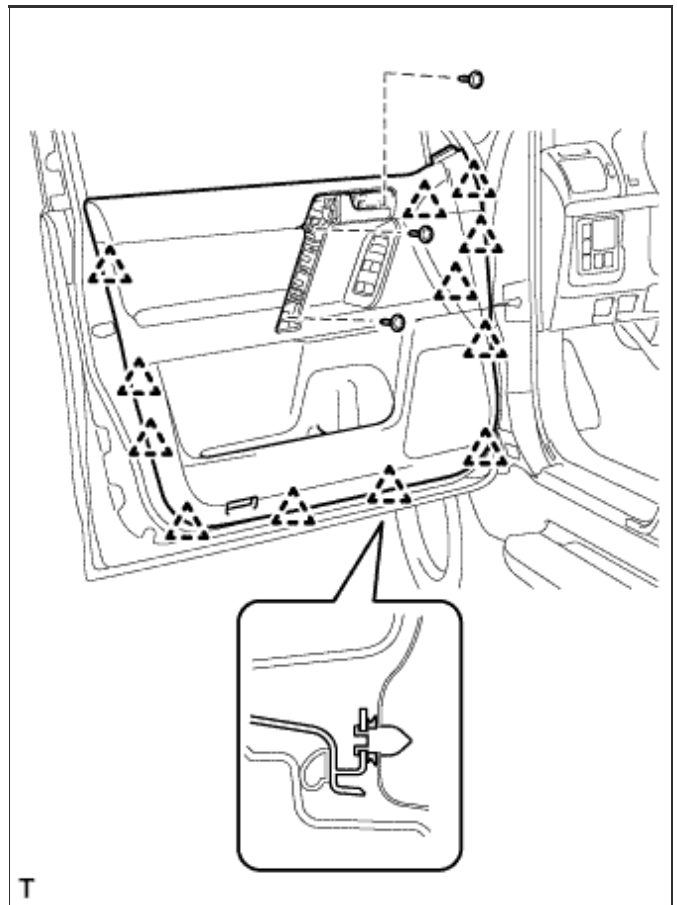

3. REMOVE ASSIST GRIP COVER LH

- a. Using moulding remover A, detach the 8 claws and remove the assist grip cover.



4. REMOVE FRONT DOOR TRIM BOARD SUB-ASSEMBLY LH

- a. Remove the 3 screws.
b. Remove the 12 clips.

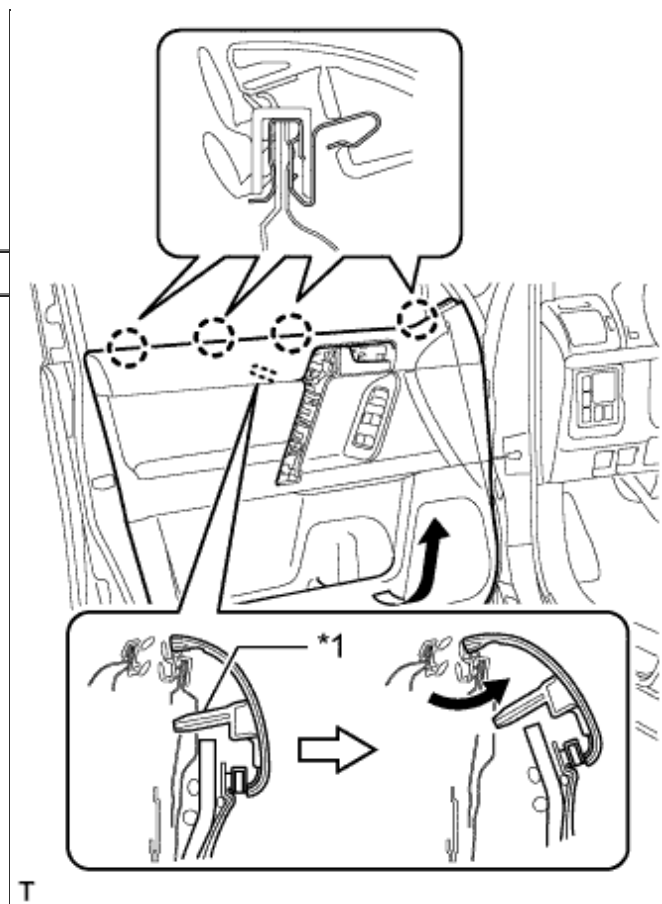


- c. Pull out the front door trim board sub-assembly in the direction indicated by the arrow in the illustration.

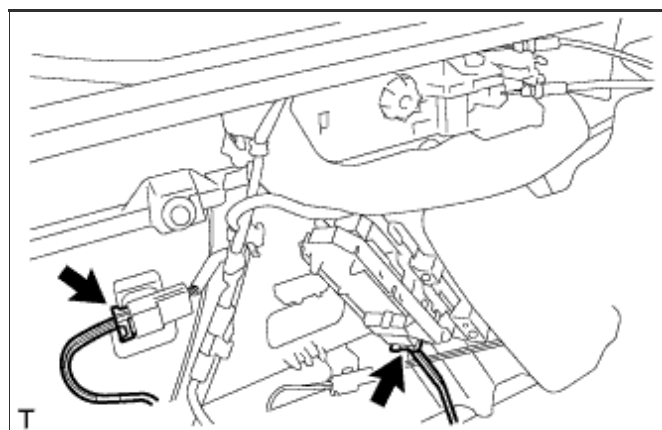
Text in Illustration

*1	Reference Boss
----	----------------

- d. Raise the front door trim board sub-assembly to detach the 4 claws and remove the front door trim board sub-assembly together with the front door inner glass weatherstrip LH.

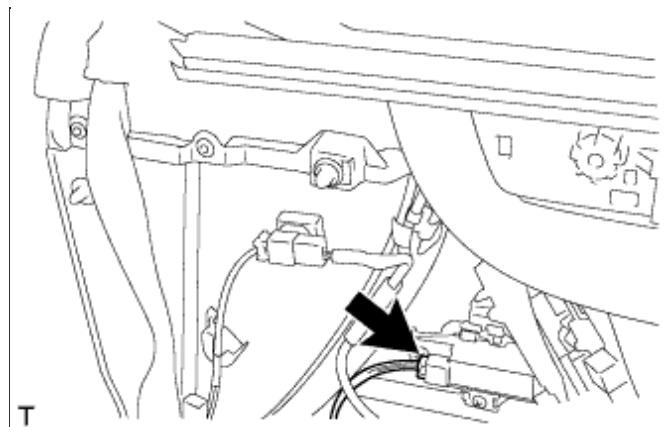


- e. Disconnect the 2 connectors.

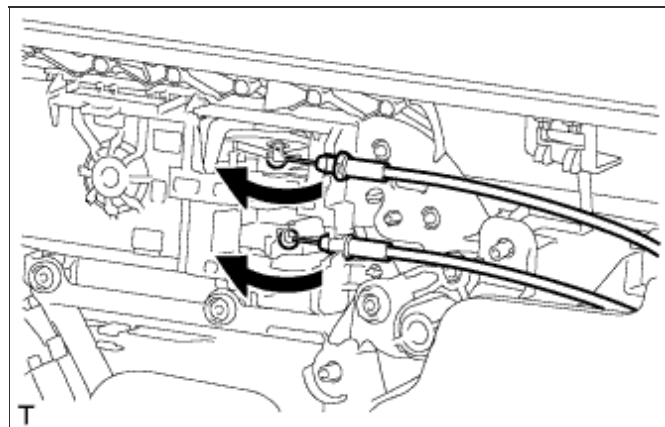


- f. w/ Seat Position Memory System:

- i. Disconnect the connectors.

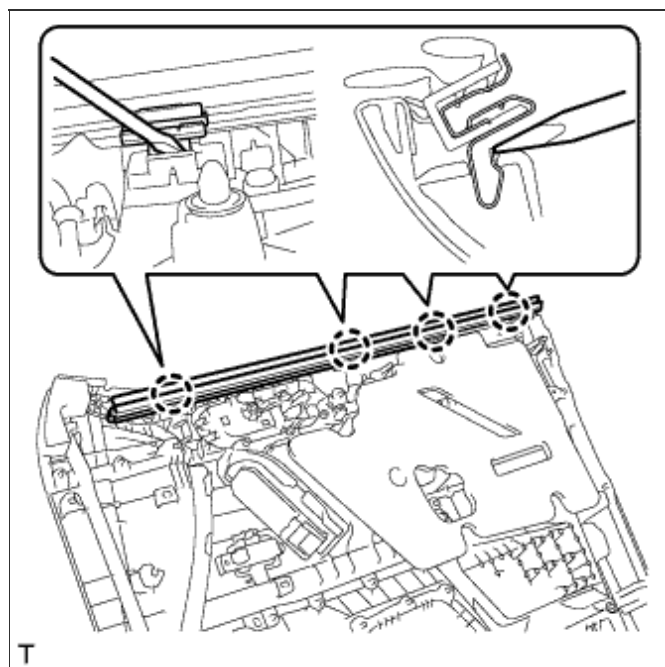


- g.** Disconnect the front door lock remote control cable assembly and front door inside locking cable assembly.



5. REMOVE FRONT DOOR INNER GLASS WEATHERSTRIP LH

- a.** Using a screwdriver, detach the 4 claws and remove the front door inner glass weatherstrip from the front door trim board sub-assembly as shown in the illustration.



6. REMOVE OUTER REAR VIEW MIRROR ASSEMBLY LH

- a. Disconnect the connector.
- b. Remove the 3 nuts.
- c. Detach the claw and remove the outer rear view mirror.

