

## FRONT CONSOLE BOX (for Manual Transmission) &gt; REMOVAL

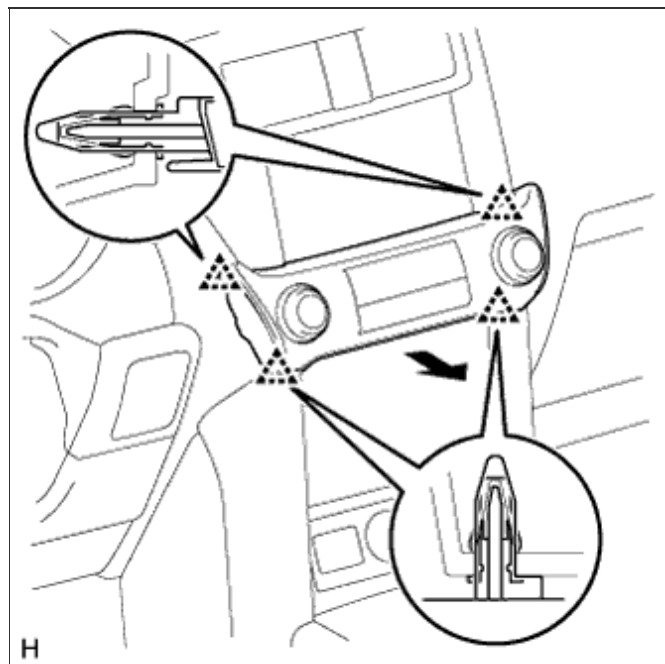
for Preparation [Click here](#)

**HINT:**

- Use the same procedure for RHD and LHD vehicles.
- The procedure listed below is for LHD vehicles.

**1. REMOVE INTEGRATION CONTROL AND PANEL ASSEMBLY**

- Detach the 4 clips.
- Disconnect the connector and remove the integration control and panel assembly.

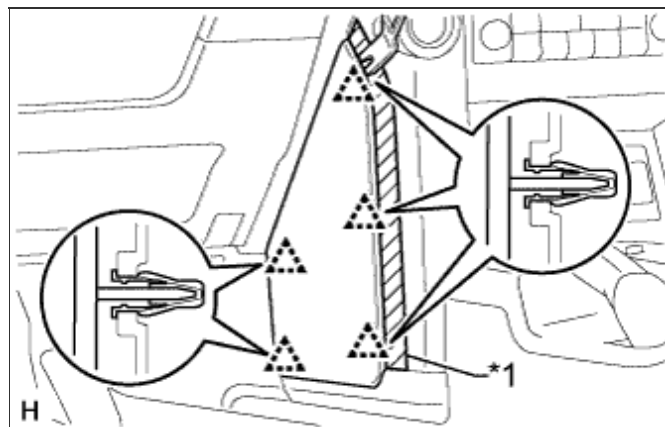
**2. REMOVE NO. 2 INSTRUMENT PANEL FINISH PANEL CUSHION**

- Put protective tape around the No. 2 instrument panel finish panel cushion.

**Text in Illustration**

*1	Protective Tape
----	-----------------

- Using a moulding remover, detach the 5 clips and remove the No. 2 instrument panel finish panel cushion.



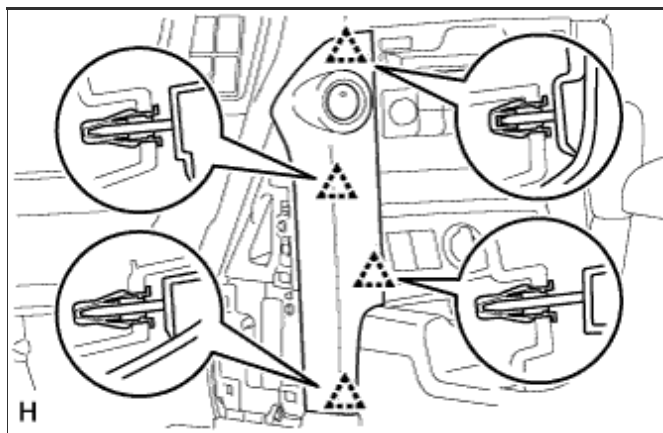
### 3. REMOVE NO. 1 INSTRUMENT PANEL FINISH PANEL CUSHION

#### HINT:

Use the same procedure described for the No. 2 instrument panel finish panel cushion.

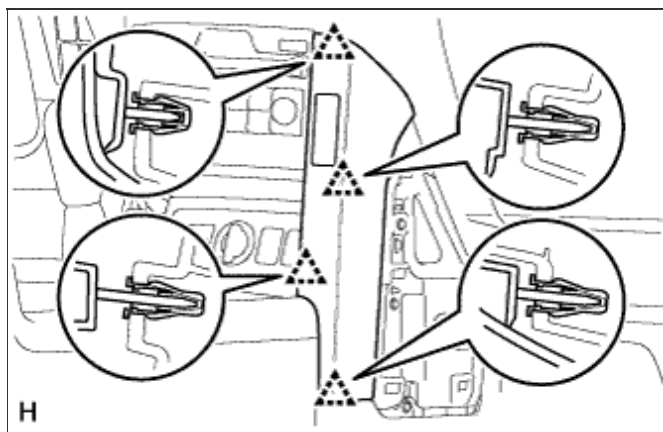
### 4. REMOVE INSTRUMENT PANEL FINISH PANEL END LH

- a. Detach the 4 clips and remove the instrument panel finish panel end.



### 5. REMOVE INSTRUMENT PANEL FINISH PANEL END RH

- a. Detach the 4 clips.  
b. Disconnect the connector and remove the instrument panel finish panel end.



### 6. REMOVE FRONT CONSOLE UPPER PANEL GARNISH

- a. Put protective tape around the front console upper panel garnish.

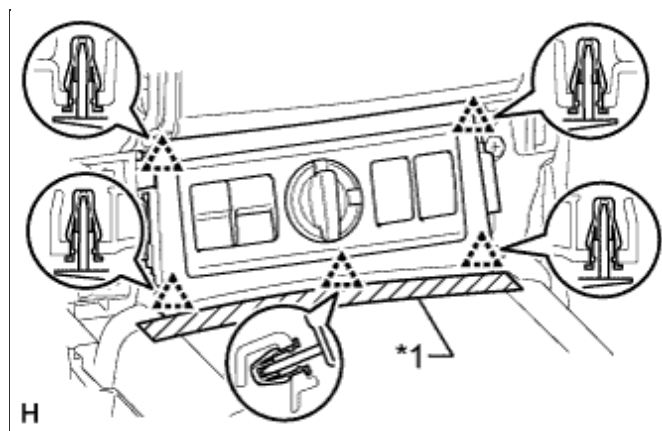
#### Text in Illustration

*1	Protective Tape
----	-----------------

- b. Detach the 5 clips.



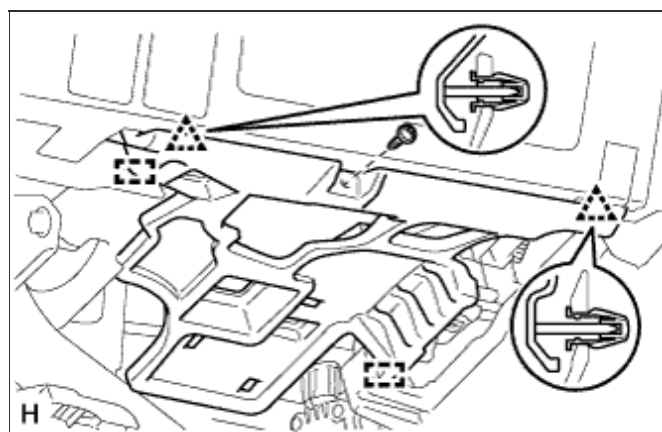
- c. Disconnect each connector and remove the front console upper panel garnish.



## 7. REMOVE NO. 1 INSTRUMENT PANEL UNDER COVER SUB-ASSEMBLY

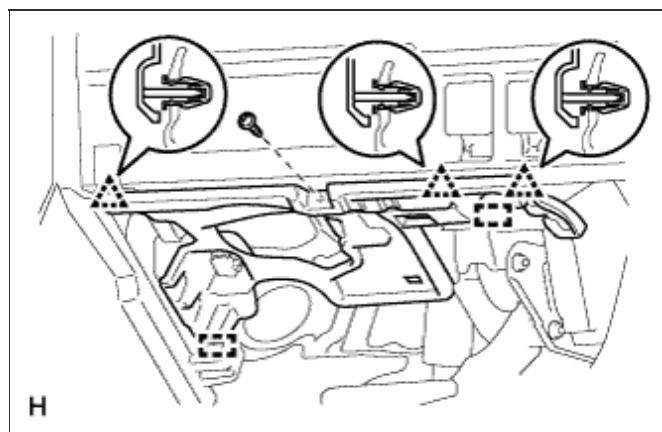
- a. for LHD:

- i. Remove the screw.
- ii. Detach the 2 clips and 2 guides and remove the No. 1 instrument panel under cover.



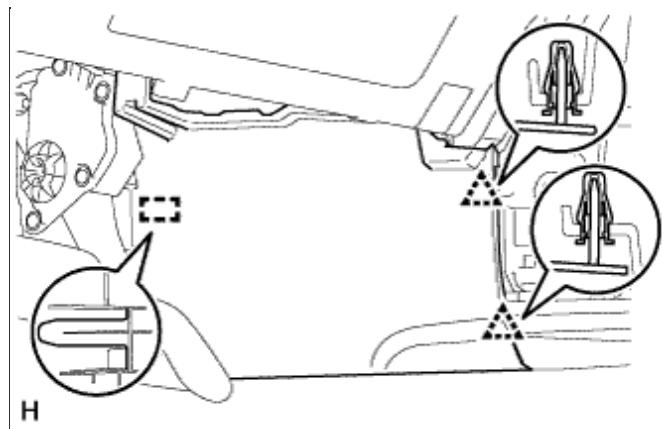
- b. for RHD:

- i. Remove the screw.
- ii. Detach the 3 clips and 2 guides and remove the No. 1 instrument panel under cover.



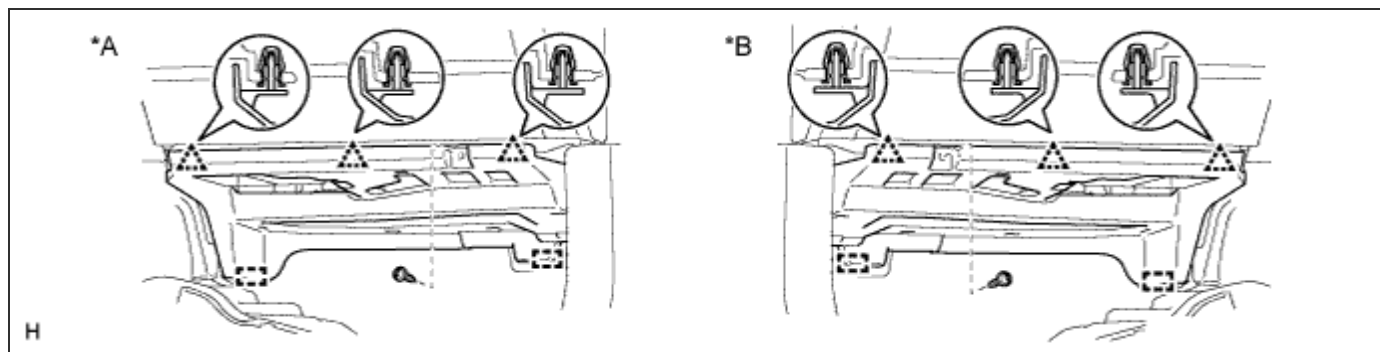
## 8. REMOVE FRONT NO. 1 CONSOLE BOX INSERT

- a. Detach the 2 clips and guide and remove the front No. 1 console box insert.



## 9. REMOVE NO. 2 INSTRUMENT PANEL UNDER COVER SUB-ASSEMBLY

- a. Remove the screw.
- b. Detach the 3 clips and 2 guides and remove the No. 2 instrument panel under cover.

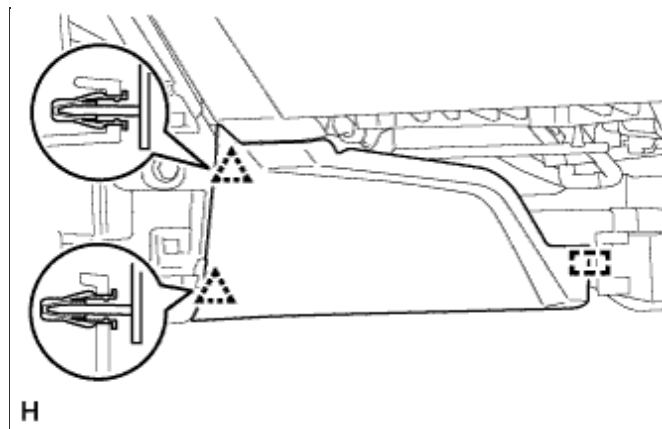


### Text in Illustration

*A	for LHD	*B	for RHD
----	---------	----	---------

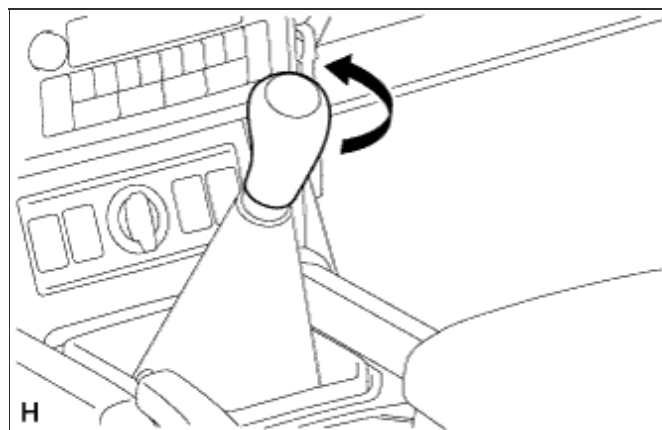
## 10. REMOVE FRONT NO. 2 CONSOLE BOX INSERT

- a. Detach the 2 clips and guide and remove the front No. 2 console box insert.



## 11. REMOVE SHIFT LEVER KNOB SUB-ASSEMBLY

- a. Twist the shift lever knob in the direction indicated by the arrow and remove it.



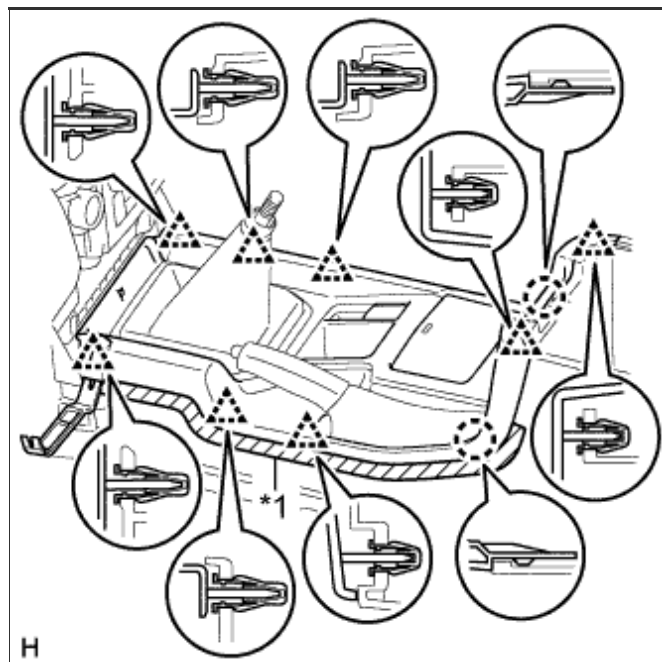
## 12. REMOVE CONSOLE PANEL SUB-ASSEMBLY

- a. Put protective tape around the console panel.

### Text in Illustration

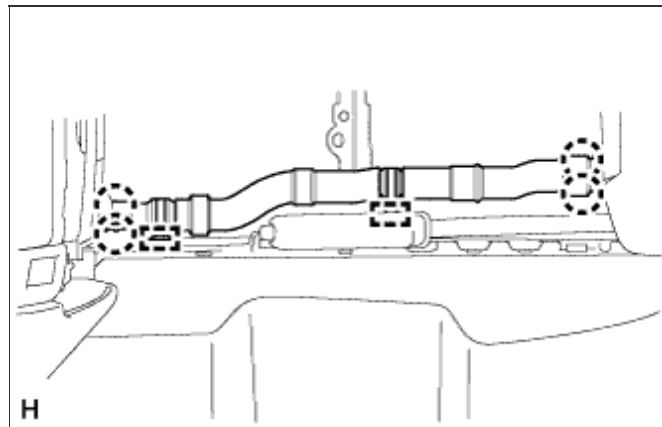
*1	Protective Tape
----	-----------------

- b. Using a moulding remover, detach the 8 clips and 2 claws.
- c. Disconnect each connector and remove the console panel.

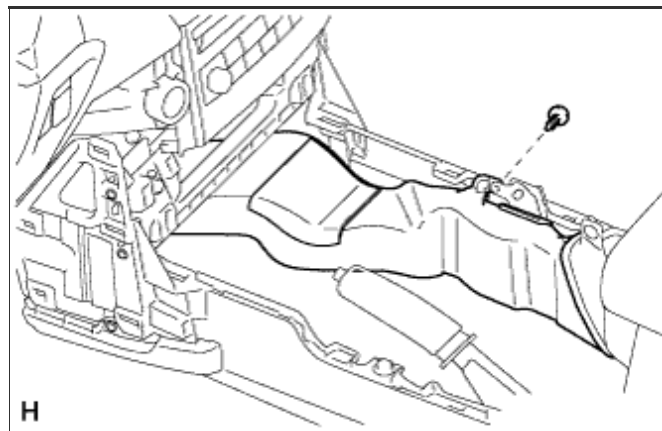


**13. REMOVE NO. 1 HEATER TO REGISTER DUCT SUB-ASSEMBLY (w/ Cool Box)**

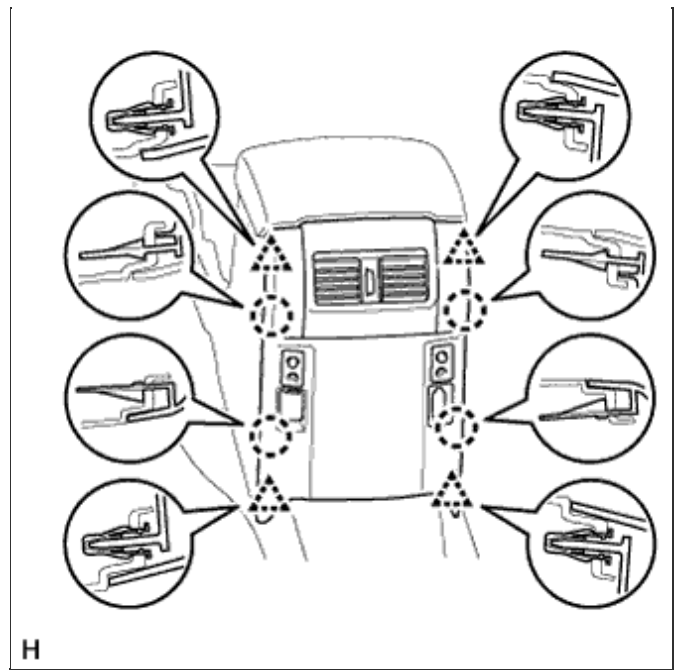
- a. Detach the 4 claws.
- b. Disconnect the 2 clamps and remove the No. 1 heater to register duct.

**14. REMOVE NO. 1 CONSOLE BOX DUCT (for Single Air Conditioning System)**

- a. Remove the clip and No. 1 console box duct.

**15. REMOVE REAR CONSOLE END PANEL SUB-ASSEMBLY**

- a. Detach the 4 clips and 4 claws.
- b. Disconnect each connector and remove the rear console end panel.



## 16. REMOVE REAR CONSOLE BOX ASSEMBLY

- a. Remove the 2 screws, clip and 5 bolts.
- b. Disconnect each connector and remove the rear console box.

