

PARKING BRAKE SYSTEM > ADJUSTMENT
PARKING BRAKE SYSTEM > ADJUSTMENT

 for Preparation [Click here](#)

1. INSPECT PARKING BRAKE LEVER TRAVEL
2. REMOVE REAR WHEEL
3. ADJUST PARKING BRAKE LEVER TRAVEL
4. INSTALL REAR WHEEL

1. INSPECT PARKING BRAKE LEVER TRAVEL

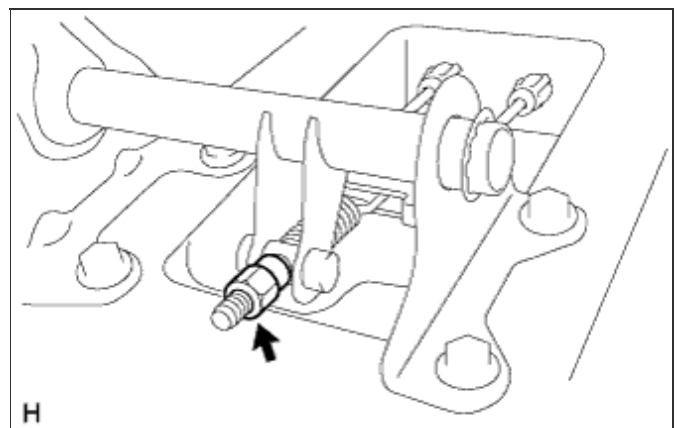
- a. Fully pull the parking brake lever to engage the parking brake.
- b. Release the lever to disengage the parking brake.
- c. Slowly pull the parking brake lever all the way and count the number of clicks.

**Standard parking brake lever travel when pulled with a force of 200 N (20 kgf, 45 lbf):
5 to 7 clicks**

If the parking brake lever travel is not as specified, adjust the parking brake shoe clearance and parking brake lever travel.



2. REMOVE REAR WHEEL
3. ADJUST PARKING BRAKE LEVER TRAVEL

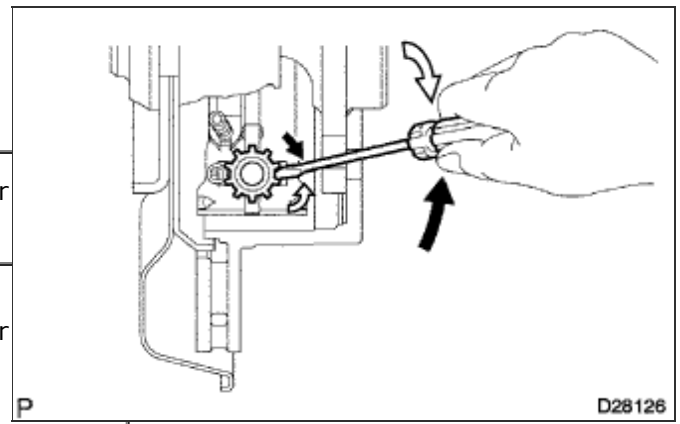
- a. for Automatic Transmission:
Remove the rear console box assembly ([Click here](#)).
- b. for Manual Transmission:
Remove the rear console box assembly ([Click here](#)).
- c. w/ Refrigerated Cool Box:
Remove the rear console box assembly ([Click here](#)).
- d. Completely release the parking brake lever.
- e. Loosen the adjusting nut to completely release the parking brake cable.
- f. Temporarily install the hub nuts.



- g. Turn the shoe adjuster so that it expands until the disc locks.

Text in Illustration

	Shoe Adjuster Contracts
	Shoe Adjuster Expands



- h. Turn the shoe adjuster so that it contracts until the disc can rotate smoothly.

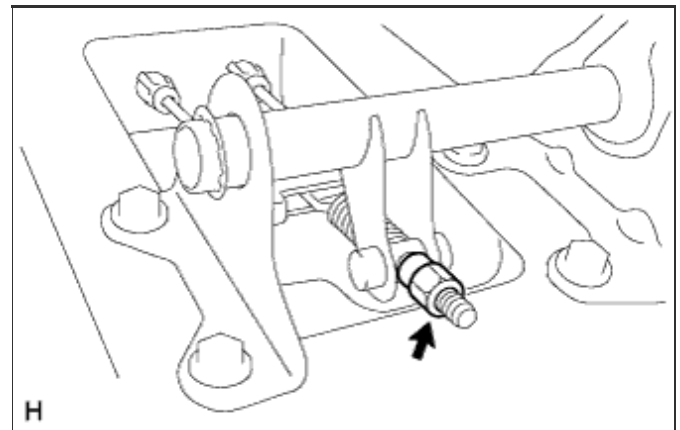
**OK:
8 notches**

- i. Check that there is no brake drag against the shoe.
j. Install the hole plug.
k. Remove the hub nuts.

- l. Turn the adjusting nut until the parking brake lever travel becomes correct.

**Standard parking
brake lever travel
when pulled with a
force of 200 N (20
kgf, 45 lbf):
5 to 7 clicks**

- m. Operate the parking brake lever 3 to 4 times and check the parking brake lever travel.



**Standard parking brake lever travel when pulled with a force of 200 N (20 kgf, 45 lbf):
5 to 7 clicks**

- n. Check whether the parking brake drags or not.
o. When operating the parking brake lever, check that the brake warning light comes on.

**Standard:
The brake warning light always illuminates at the first click.**

- p. for Automatic Transmission:
Install the rear console box assembly ([Click here](#)).

- q. for Manual Transmission:
Install the rear console box assembly ([Click here](#)).
- r. w/ Refrigerated Cool Box:
Install the rear console box assembly ([Click here](#)).

4. INSTALL REAR WHEEL

Torque:

112 N*m{ 1142 kgf*cm , 83 ft.*lbf }

