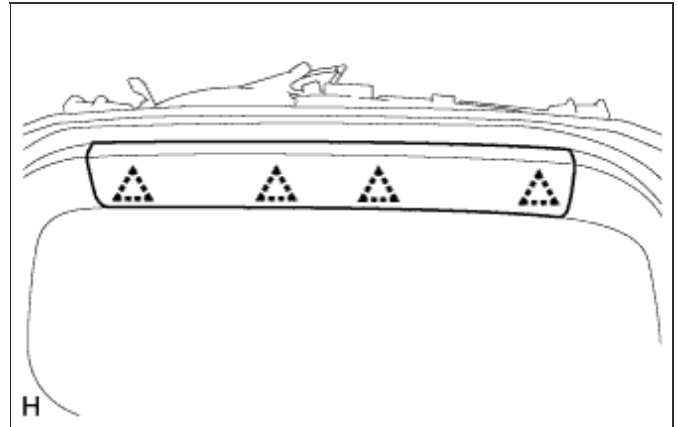


REAR SPOILER (w/ Tire Carrier) > REMOVAL

for Preparation [Click here](#)

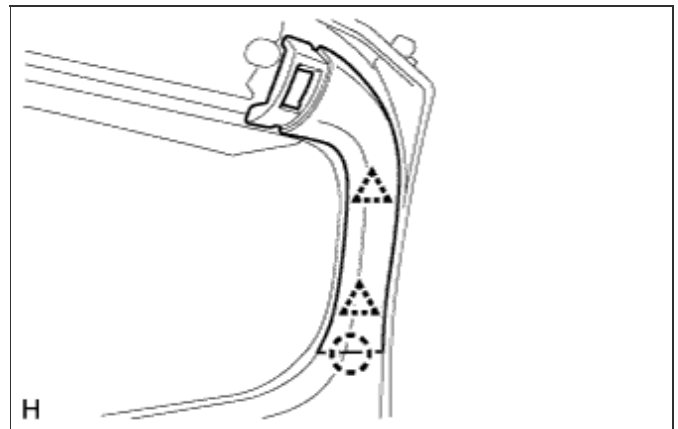
1. REMOVE CENTER BACK DOOR GARNISH

- a. Detach the 4 clips and remove the back door center garnish.



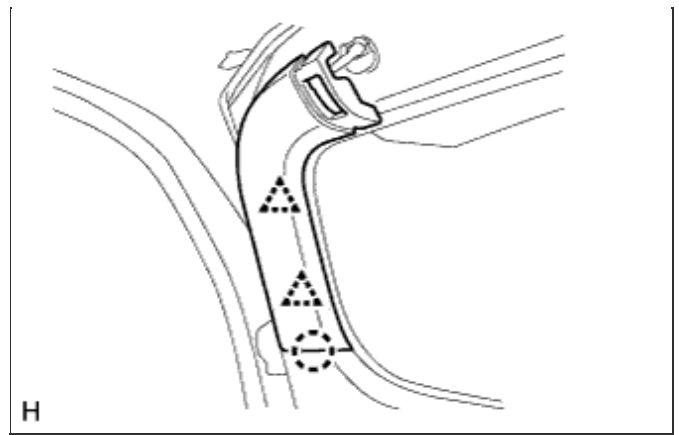
2. REMOVE BACK DOOR SIDE GARNISH LH

- a. Detach the 2 clips and claw and remove the back door side garnish.



3. REMOVE BACK DOOR SIDE GARNISH RH

- a. Detach the 2 clips and claw and remove the back door side garnish.



4. REMOVE REAR SPOILER COVER RH

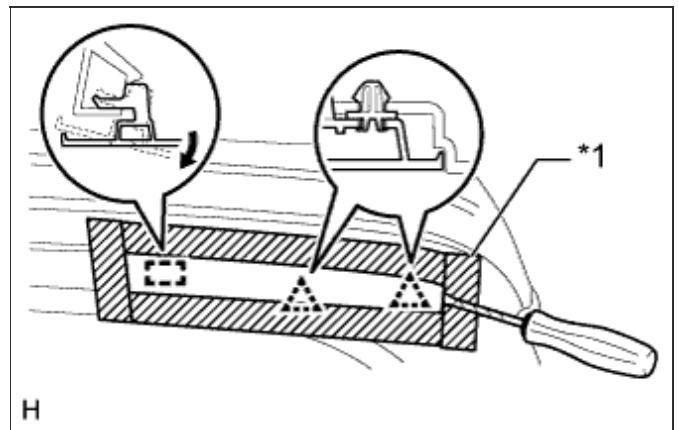
- a. Put protective tape around the rear spoiler cover.
- b. Using a screwdriver, detach the 2 clips and remove the rear spoiler cover as shown in the illustration.

HINT:

Tape the screwdriver tip before use.

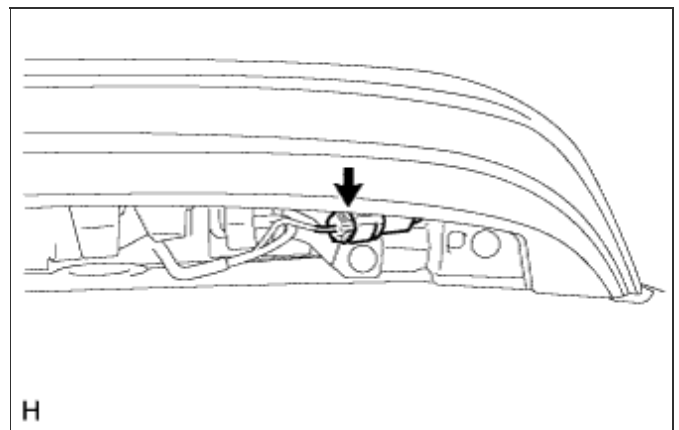
Text in Illustration

*1	Protective Tape
----	-----------------

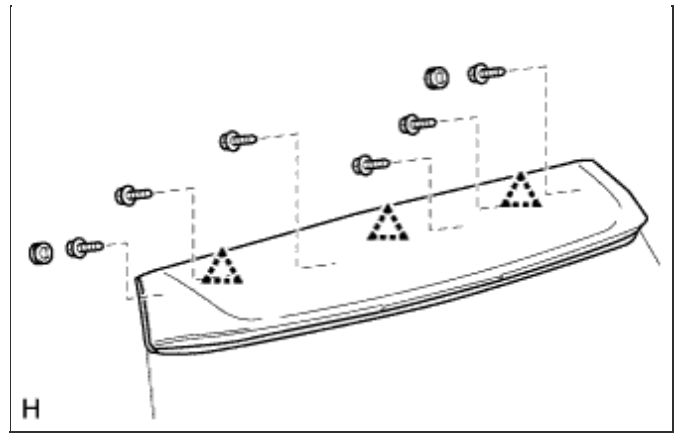


5. REMOVE REAR SPOILER SUB-ASSEMBLY

- a. Disconnect the connector.



- b. Remove the 2 grommets and 6 bolts.
- c. Detach the 3 clips and remove the rear spoiler.



6. REMOVE NO. 2 BACK DOOR STIFFENER

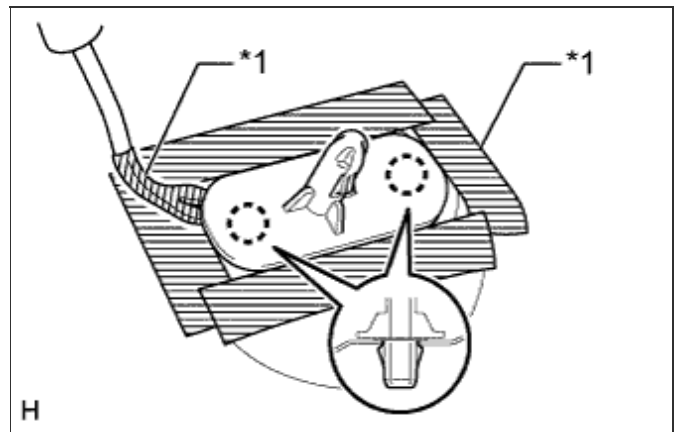
HINT:

Use the same procedure to remove the No. 2 back door stiffener on the other side.

- a. Put protective tape around the No. 2 back door stiffener.
- b. Using a clip remover, detach the 2 claws and remove the No. 2 back door stiffener.

HINT:

Tape the clip remover tip before use.



Text in Illustration

*1	Protective Tape
----	-----------------

