

FRONT DOOR > DISASSEMBLY

FRONT DOOR > DISASSEMBLY

for Preparation [Click here](#)

HINT:

- Use the same procedure for RHD and LHD vehicles.
- The procedure listed below is for LHD vehicles.
- Use the same procedure for the RH and LH sides.
- The procedure listed below is for the LH side.

1. DISCONNECT CABLE FROM NEGATIVE BATTERY TERMINAL

CAUTION:

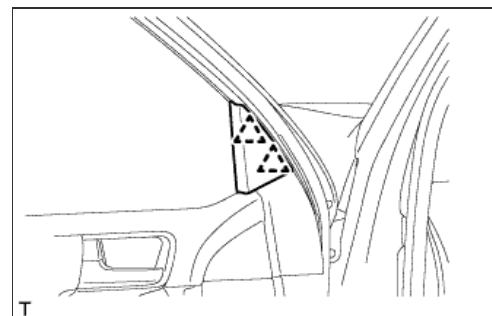
Wait at least 90 seconds after disconnecting the cable from the negative (-) battery terminal to disable the SRS system.

NOTICE:

- After turning the ignition switch off, waiting time may be required before disconnecting the cable from the battery terminal. Therefore, make sure to read the disconnecting the cable from the battery terminal notice before proceeding with work ([Click here](#)).
- When disconnecting the cable, some systems need to be initialized after the cable is reconnected ([Click here](#)).

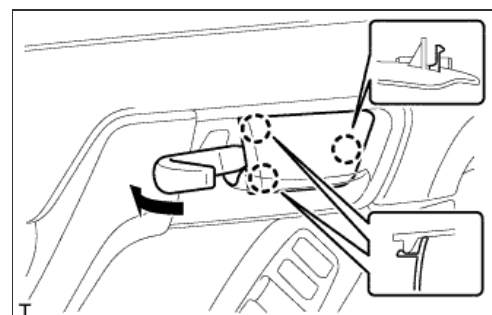
2. REMOVE FRONT DOOR LOWER FRAME BRACKET GARNISH LH

- a. Detach the 2 clips and remove the front door lower frame bracket garnish LH.



3. REMOVE NO. 2 DOOR INSIDE HANDLE BEZEL LH

- a. Using a moulding remover, detach the 3 claws and remove the inside handle bezel as shown in the illustration.

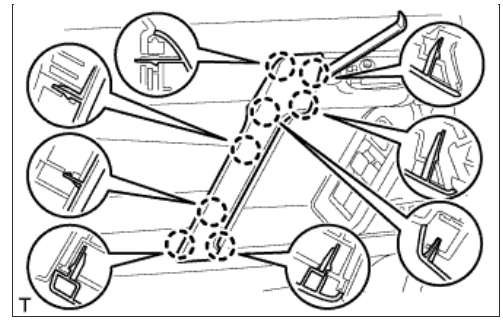


4. REMOVE ASSIST GRIP COVER LH

- a. Using moulding remover A, detach the 8 claws and remove the assist grip cover.

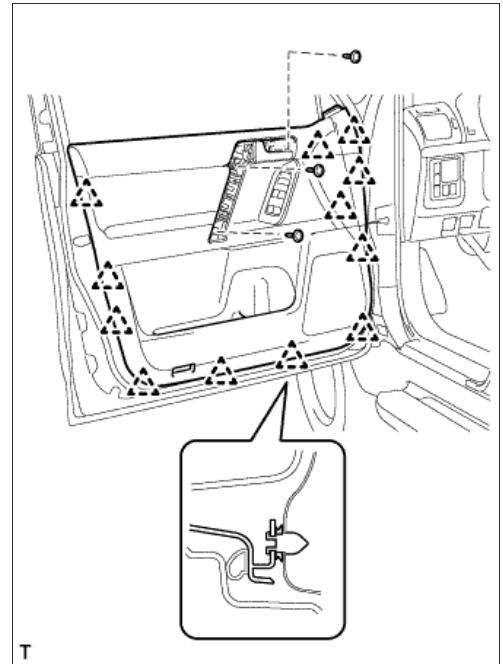
1. DISCONNECT CABLE FROM NEGATIVE BATTERY TERMINAL
2. REMOVE FRONT DOOR LOWER FRAME BRACKET GARNISH LH
3. REMOVE NO. 2 DOOR INSIDE HANDLE BEZEL LH
4. REMOVE ASSIST GRIP COVER LH
5. REMOVE FRONT DOOR TRIM BOARD SUB-ASSEMBLY LH
6. REMOVE FRONT DOOR INNER GLASS WEATHERSTRIP LH
7. REMOVE FRONT DOOR COURTESY LIGHT ASSEMBLY LH
8. REMOVE FRONT DOOR INSIDE HANDLE ILLUMINATION LIGHT ASSEMBLY LH
9. REMOVE NO. 2 INTERIOR ILLUMINATION LIGHT SUB-ASSEMBLY
10. REMOVE SEAT MEMORY SWITCH (w/ Seat Position Memory System)
11. REMOVE MULTIPLEX NETWORK MASTER SWITCH ASSEMBLY (for Driver Side)
12. REMOVE POWER WINDOW REGULATOR SWITCH ASSEMBLY (for Front Passenger Side)
13. REMOVE FRONT DOOR INSIDE HANDLE SUB-ASSEMBLY LH
14. REMOVE FRONT NO. 1 SPEAKER ASSEMBLY
15. REMOVE SIDE AIRBAG SENSOR ASSEMBLY LH
16. REMOVE FRONT DOOR SERVICE HOLE COVER LH
17. REMOVE OUTER REAR VIEW MIRROR ASSEMBLY LH
18. REMOVE FRONT DOOR GLASS SUB-ASSEMBLY LH
19. REMOVE FRONT DOOR WINDOW REGULATOR SUB-ASSEMBLY LH
20. REMOVE FRONT POWER WINDOW REGULATOR MOTOR ASSEMBLY LH
21. REMOVE FRONT DOOR GLASS RUN LH

22. REMOVE REAR DOOR FRAME GARNISH LH
23. REMOVE FRONT DOOR REAR LOWER FRAME SUB-ASSEMBLY LH
24. REMOVE FRONT DOOR OUTSIDE HANDLE COVER WITH LOCK CYLINDER ASSEMBLY (for Driver Side)
25. REMOVE FRONT DOOR OUTSIDE HANDLE COVER LH (for Driver Side)
26. REMOVE FRONT DOOR OUTSIDE HANDLE COVER RH (for Front Passenger Side)
27. REMOVE FRONT DOOR OUTSIDE HANDLE ASSEMBLY LH
28. REMOVE FRONT DOOR FRONT OUTSIDE HANDLE PAD LH
29. REMOVE FRONT DOOR REAR OUTSIDE HANDLE PAD LH
30. REMOVE FRONT DOOR LOCK ASSEMBLY LH
31. REMOVE FRONT DOOR LOCK REMOTE CONTROL CABLE ASSEMBLY LH
32. REMOVE FRONT DOOR INSIDE LOCKING CABLE ASSEMBLY LH
33. REMOVE FRONT DOOR OUTSIDE HANDLE FRAME SUB-ASSEMBLY LH
34. REMOVE FRONT DOOR NO. 2 WIRE LH (w/ Entry and Start System)
35. REMOVE FRONT DOOR LOCK OPEN ROD LH
36. REMOVE FRONT DOOR NO. 2 STIFFENER CUSHION
37. REMOVE FRONT DOOR CHECK ASSEMBLY LH
38. REMOVE FRONT DOOR WEATHERSTRIP LH
39. REMOVE FRONT DOOR BELT MOULDING LH
40. REMOVE FRONT DOOR REAR WINDOW FRAME MOULDING LH
41. REMOVE NO. 1 BLACK OUT TAPE LH
42. REMOVE FRONT DOOR OUTSIDE STRIPE LH
43. REMOVE LOWER FRONT DOOR OUTSIDE STRIPE LH
44. REMOVE FRONT DOOR PANEL CUSHION



5. REMOVE FRONT DOOR TRIM BOARD SUB-ASSEMBLY LH

- a. Remove the 3 screws.
- b. Remove the 12 clips.

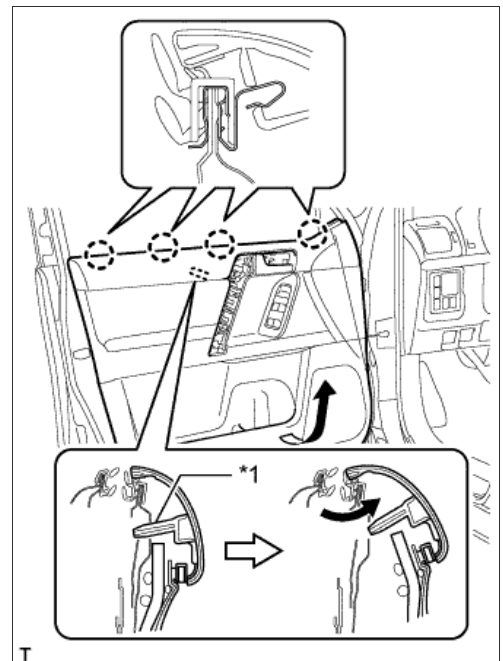


- c. Pull out the front door trim board sub-assembly in the direction indicated by the arrow in the illustration.

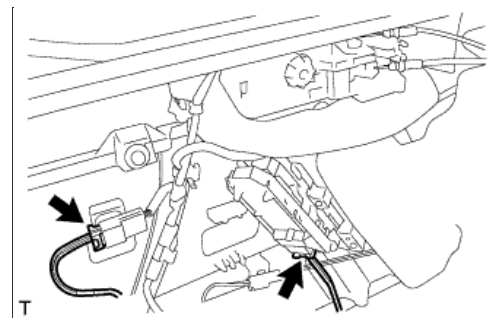
Text in Illustration

*1	Reference Boss
----	----------------

- d. Raise the front door trim board sub-assembly to detach the 4 claws and remove the front door trim board sub-assembly together with the front door inner glass weatherstrip LH.

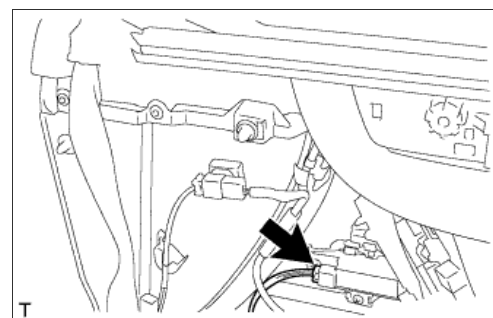


- e. Disconnect the 2 connectors.

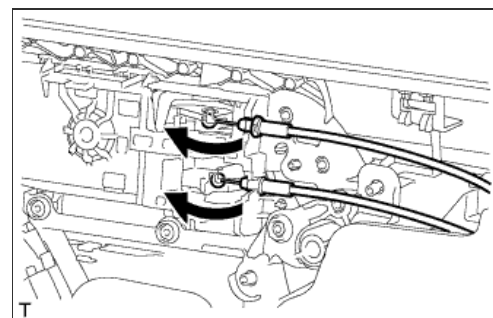


f. w/ Seat Position Memory System:

i. Disconnect the connectors.

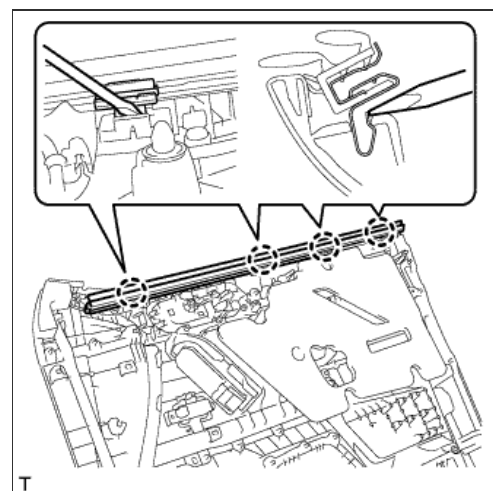


g. Disconnect the front door lock remote control cable assembly and front door inside locking cable assembly.



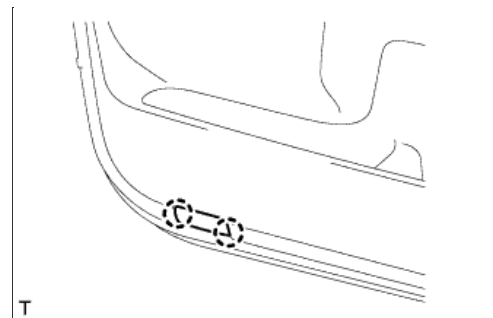
6. REMOVE FRONT DOOR INNER GLASS WEATHERSTRIP LH

a. Using a screwdriver, detach the 4 claws and remove the front door inner glass weatherstrip from the front door trim board sub-assembly as shown in the illustration.



7. REMOVE FRONT DOOR COURTESY LIGHT ASSEMBLY LH

- a. Detach the 2 claws and remove the light.
- b. Disconnect the connector.



8. REMOVE FRONT DOOR INSIDE HANDLE ILLUMINATION LIGHT ASSEMBLY LH

- a. Disconnect the connector.

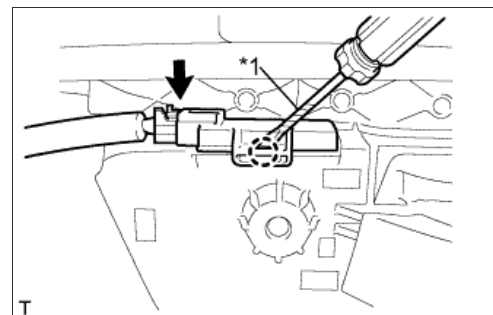
Text in Illustration

*1	Protective Tape
----	-----------------

- b. Using a screwdriver, detach the claw and remove the light.

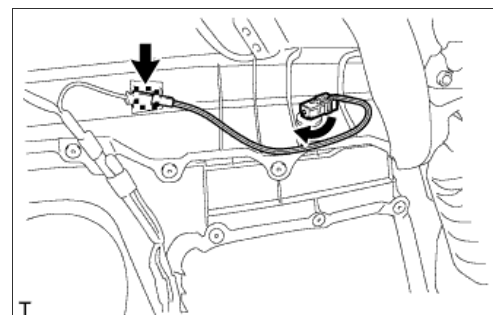
HINT:

Tape the screwdriver tip before use.



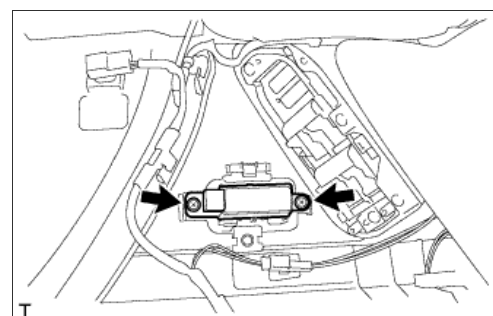
9. REMOVE NO. 2 INTERIOR ILLUMINATION LIGHT SUB-ASSEMBLY

- a. Disconnect the connector.
- b. Detach the clamp.
- c. Turn the light in the direction indicated by the arrow and remove it.



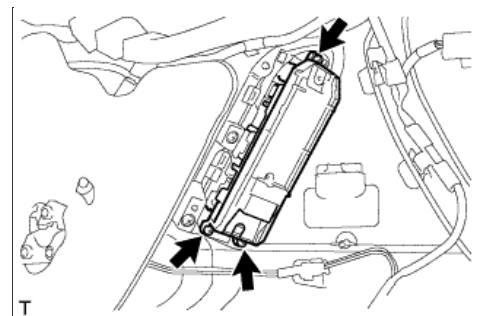
10. REMOVE SEAT MEMORY SWITCH (w/ Seat Position Memory System)

- a. Remove the 2 screws and switch.



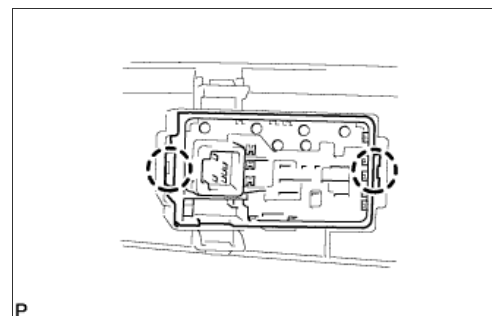
11. REMOVE MULTIPLEX NETWORK MASTER SWITCH ASSEMBLY (for Driver Side)

- a. Remove the 3 screws and the multiplex network master switch assembly.



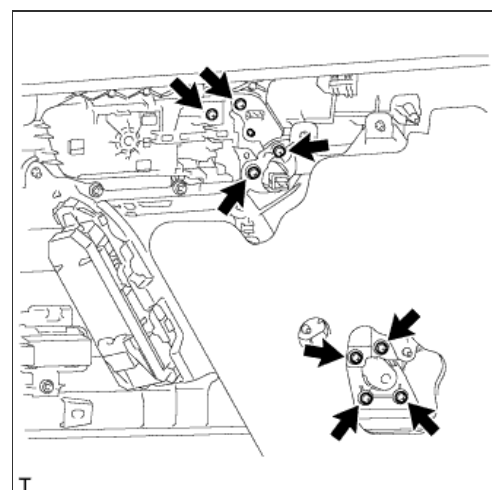
12. REMOVE POWER WINDOW REGULATOR SWITCH ASSEMBLY (for Front Passenger Side)

- a. Detach the 2 claws and remove the power window regulator switch assembly.

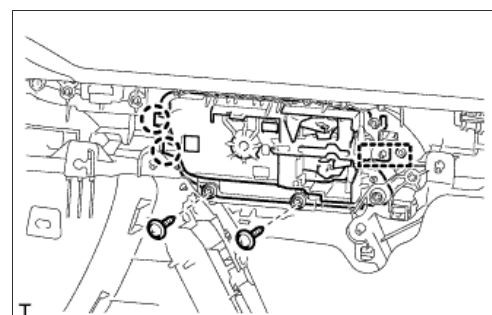


13. REMOVE FRONT DOOR INSIDE HANDLE SUB-ASSEMBLY LH

- a. Remove the 8 screws and door assist grip assembly LH.



- b. Remove the 2 screws.
- c. Detach the guide and 2 claws and remove the front door inside handle sub-assembly from the front door trim board sub-assembly.



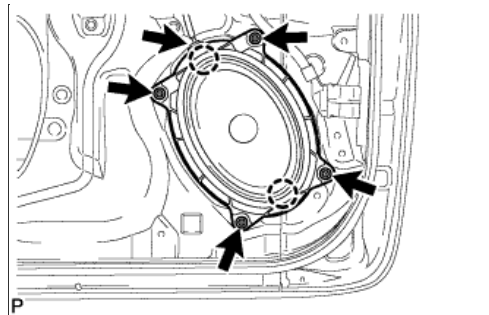
14. REMOVE FRONT NO. 1 SPEAKER ASSEMBLY

- a. Disconnect the speaker connector.
- b. Remove the 4 screws.

- c. Detach the 2 claws and remove the speaker.

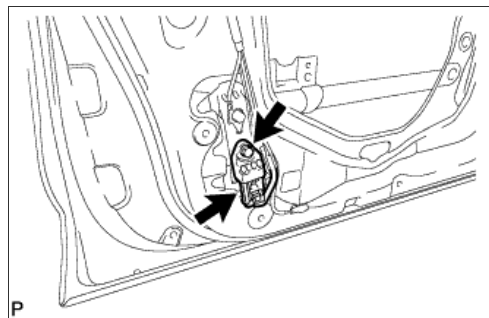
NOTICE:

Do not touch the cone of the speaker.



15. REMOVE SIDE AIRBAG SENSOR ASSEMBLY LH

- a. Disconnect the connector.
- b. Remove the bolt and side airbag sensor.

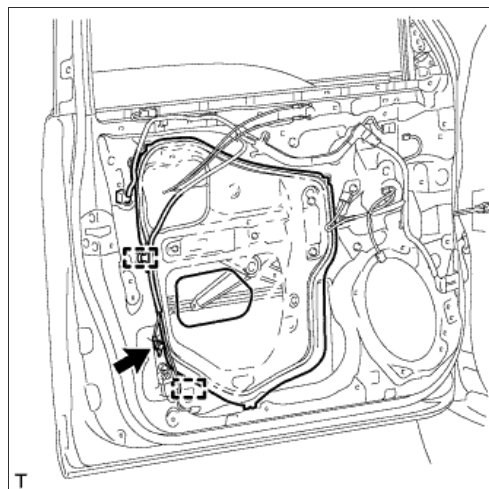


16. REMOVE FRONT DOOR SERVICE HOLE COVER LH

- a. Remove the bolt.
- b. Detach the 2 clamps, move the wire harness out of the way and remove the service hole cover.

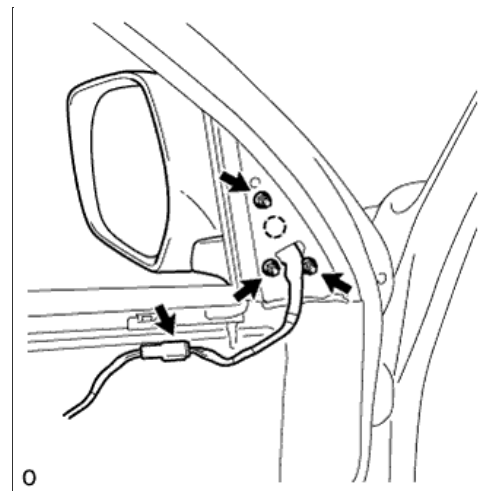
HINT:

Remove any remaining butyl tape from the door.



17. REMOVE OUTER REAR VIEW MIRROR ASSEMBLY LH

- a. Disconnect the connector.
- b. Remove the 3 nuts.
- c. Detach the claw and remove the outer rear view mirror.



18. REMOVE FRONT DOOR GLASS SUB-ASSEMBLY LH

- a. Connect the cable to the negative (-) battery terminal.
- b. Connect the power window regulator master switch assembly and move the front door glass sub-assembly so that the door glass bolts can be seen.
- c. Disconnect the cable from the negative (-) battery terminal and power window regulator master switch assembly.

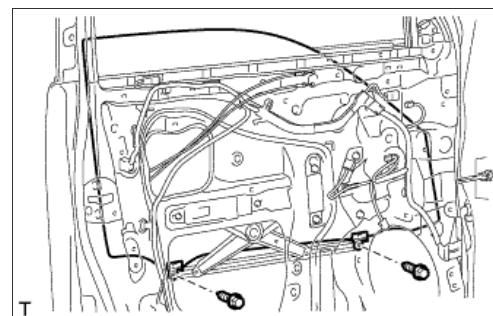
NOTICE:

- After turning the ignition switch off, waiting time may be required before disconnecting the cable from the battery terminal. Therefore, make sure to read the disconnecting the cable from the battery terminal notice before proceeding with work ([Click here](#)).
- When disconnecting the cable, some systems need to be initialized after the cable is reconnected ([Click here](#)).

- d. Remove the 2 bolts.

NOTICE:

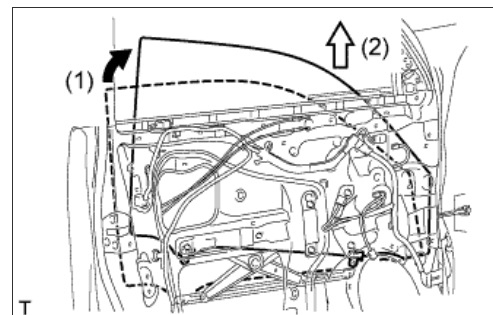
After the bolts are removed, do not allow the door glass to fall.



- e. Remove the front door glass sub-assembly as indicated by the arrows in the order shown in the illustration.

NOTICE:

Do not damage the door glass.



19. REMOVE FRONT DOOR WINDOW REGULATOR SUB-ASSEMBLY LH

- a. Disconnect the connector.
- b. Loosen the temporary bolt.

Text in Illustration

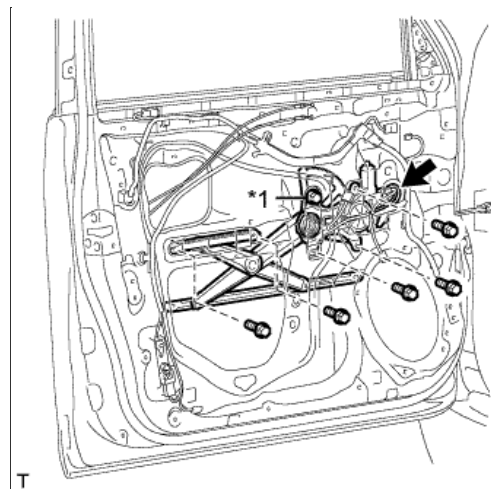
*1	Temporary Bolt
----	----------------

NOTICE:



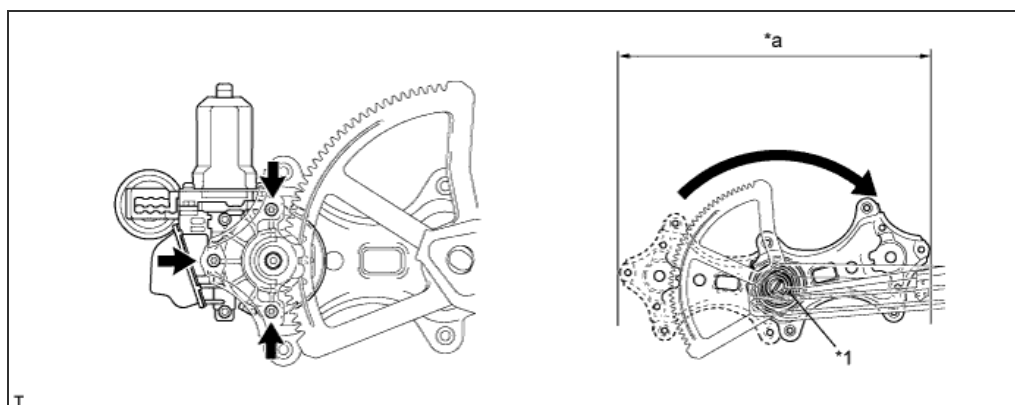
Do not remove the temporary bolt. If the temporary bolt is removed, the front door window regulator may fall and cause damage.

- c. Remove the 5 bolts.
- d. Remove the front door window regulator sub-assembly.
- e. Remove the temporary bolt from the front door window regulator sub-assembly.



20. REMOVE FRONT POWER WINDOW REGULATOR MOTOR ASSEMBLY LH

- a. Using a T25 "TORX" socket wrench, remove the 3 screws and the power window regulator motor.



Text in Illustration

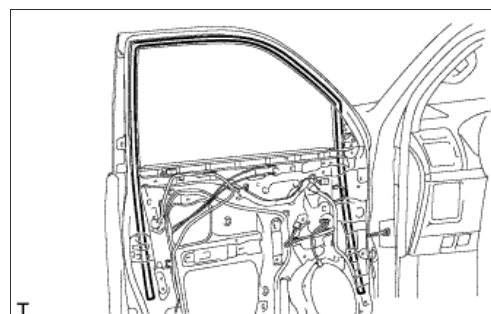
*1	Spring	-	-
*a	Range of Movement	-	-

CAUTION:

Do not place your finger, etc. within the range of movement of the window regulator. When removing the power window regulator motor, the force of the spring causes the window regulator to move in the direction of the arrow shown in the illustration (the direction in which the window rises), which may cause injury. NOTICE: Be careful when removing the screws as the motor may fall and become damaged.

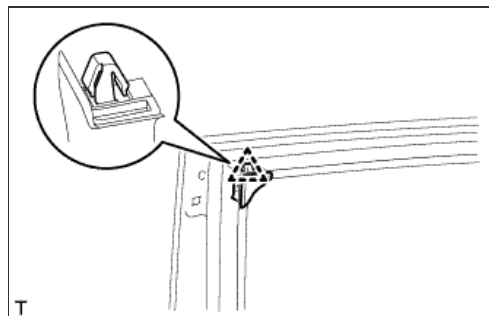
21. REMOVE FRONT DOOR GLASS RUN LH

- a. Remove the front door glass run.



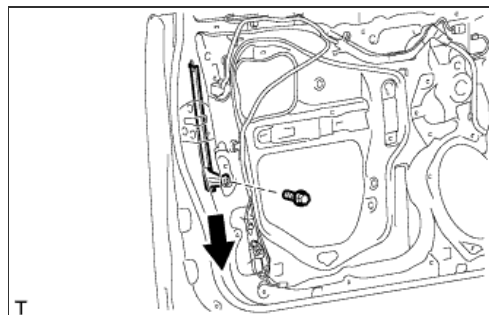
22. REMOVE REAR DOOR FRAME GARNISH LH

- a. Detach the clip and remove the door frame garnish.



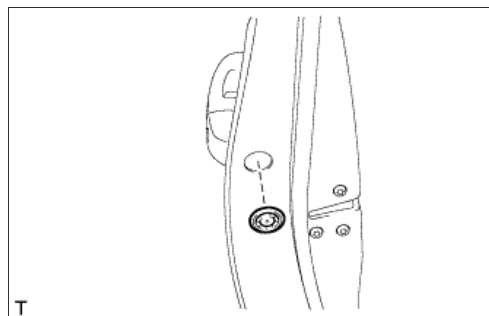
23. REMOVE FRONT DOOR REAR LOWER FRAME SUB-ASSEMBLY LH

- a. Remove the bolt and front door rear lower frame sub-assembly as shown in the illustration.



24. REMOVE FRONT DOOR OUTSIDE HANDLE COVER WITH LOCK CYLINDER ASSEMBLY (for Driver Side)

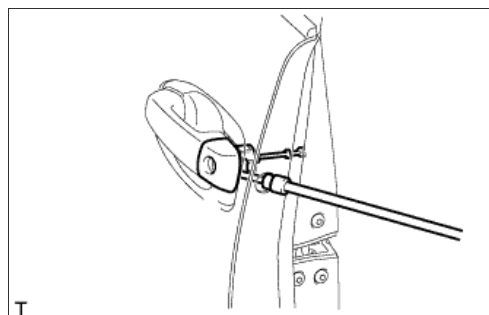
- a. Remove the hole plug.



- b. Using a T30 "TORX" socket wrench, loosen the screw and remove the front door outside handle cover with lock cylinder assembly.

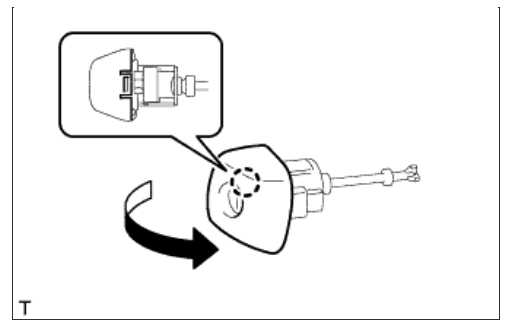
HINT:

The screw cannot be removed because it is integrated into the front door outside handle frame sub-assembly.



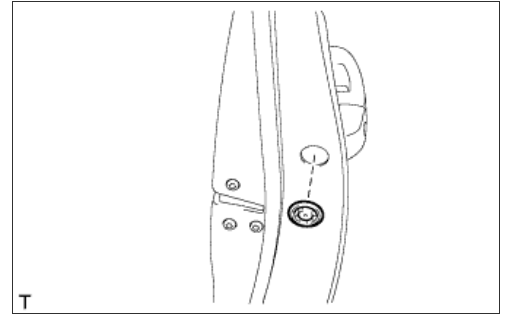
25. REMOVE FRONT DOOR OUTSIDE HANDLE COVER LH (for Driver Side)

- a. Using a screwdriver, detach the claw and remove the front door outside handle cover.



26. REMOVE FRONT DOOR OUTSIDE HANDLE COVER RH (for Front Passenger Side)

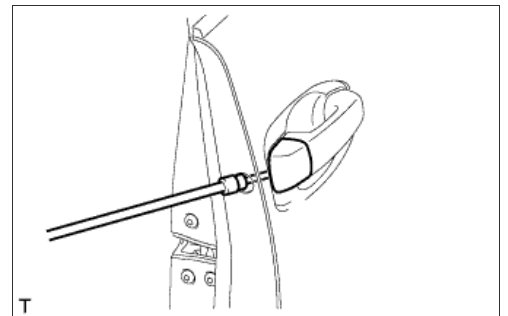
- a. Remove the hole plug.



- b. Using a T30 "TORX" socket wrench, loosen the screw and remove the front door outside handle cover.

HINT:

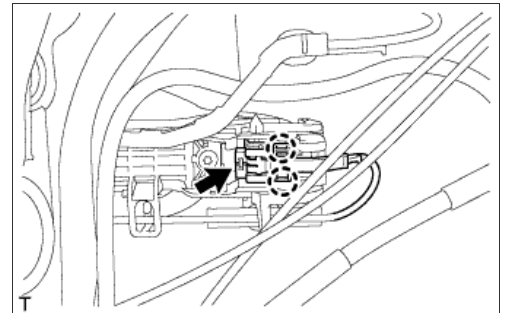
The screw cannot be removed because it is integrated into the front door outside handle frame sub-assembly.



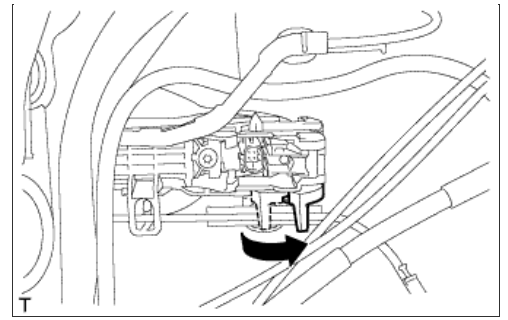
27. REMOVE FRONT DOOR OUTSIDE HANDLE ASSEMBLY LH

- a. w/ Entry and Start System:

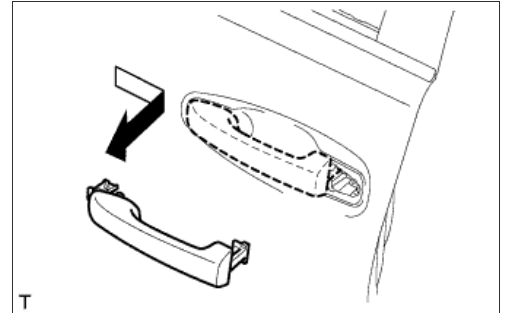
- i. Detach the 2 claws.
- ii. Disconnect the connector.



- b. Move the lever in the direction indicated by the arrow in the illustration.

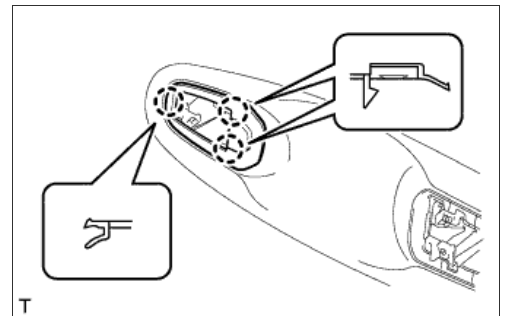


- c. Remove the front door outside handle assembly as shown in the illustration.



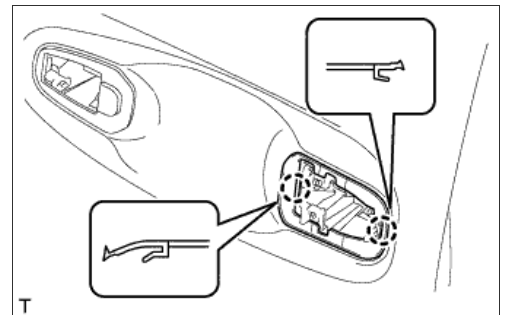
28. REMOVE FRONT DOOR FRONT OUTSIDE HANDLE PAD LH

- a. Detach the 3 claws and remove the front door front outside handle pad.



29. REMOVE FRONT DOOR REAR OUTSIDE HANDLE PAD LH


- a. Detach the 2 claws and remove the front door rear outside handle pad.

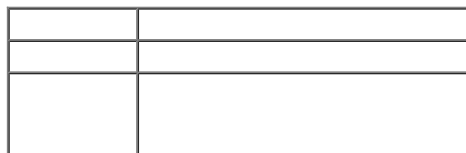


30. REMOVE FRONT DOOR LOCK ASSEMBLY LH

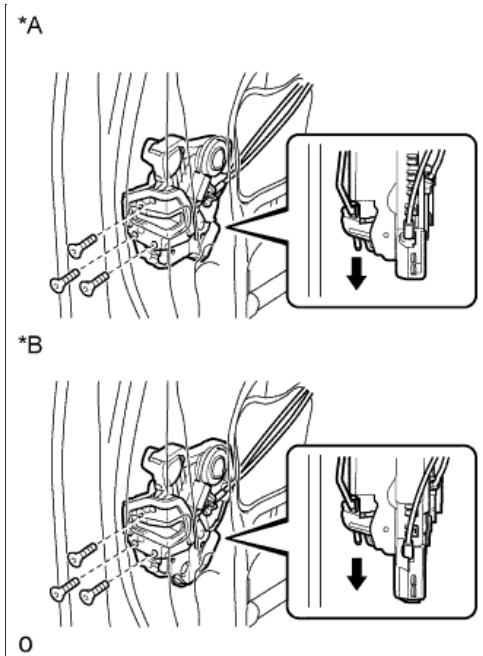
- a. Disconnect the connector.
- b. Using a T30 "TORX" wrench, remove the 3 screws.

Text in Illustration

*A	w/o Double Locking System
*B	w/ Double Locking System
	Slide

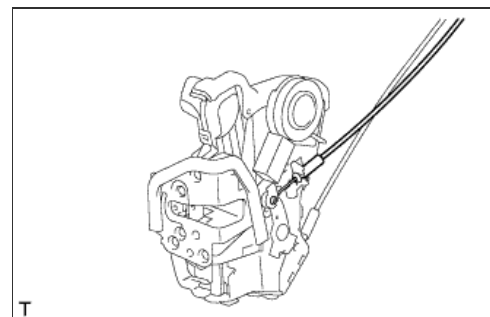


- c. Slide the front door lock assembly downward, pull out the front door lock open rod from the outside handle frame, and remove the front door lock assembly and cables as a unit.
- d. Remove the front door lock open rod from the front door lock assembly.
- e. Remove the door lock wiring harness seal from the front door lock assembly.



31. REMOVE FRONT DOOR LOCK REMOTE CONTROL CABLE ASSEMBLY LH

- a. Remove the front door lock remote control cable assembly.

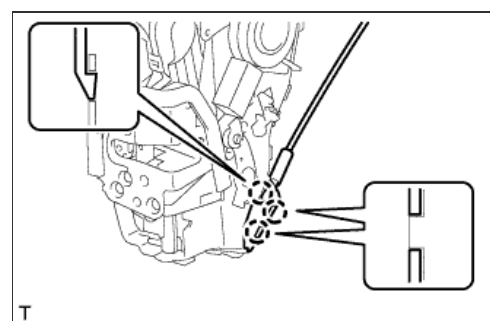


32. REMOVE FRONT DOOR INSIDE LOCKING CABLE ASSEMBLY LH

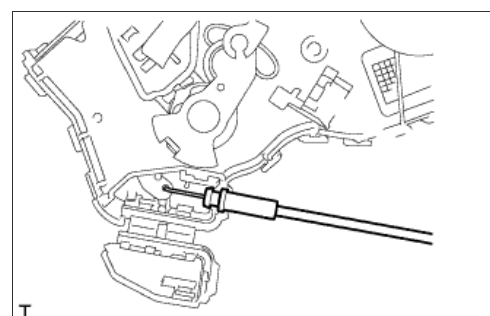
- a. Using a screwdriver, detach the 3 claws.

HINT:

Tape the screwdriver tip before use.



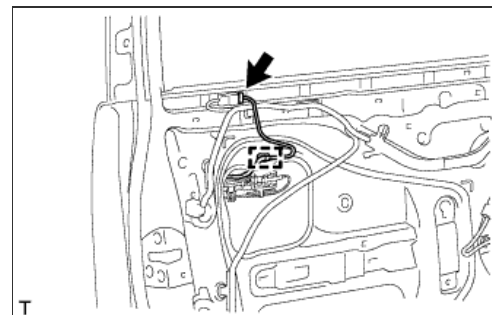
- b. Remove the front door inside locking cable assembly.



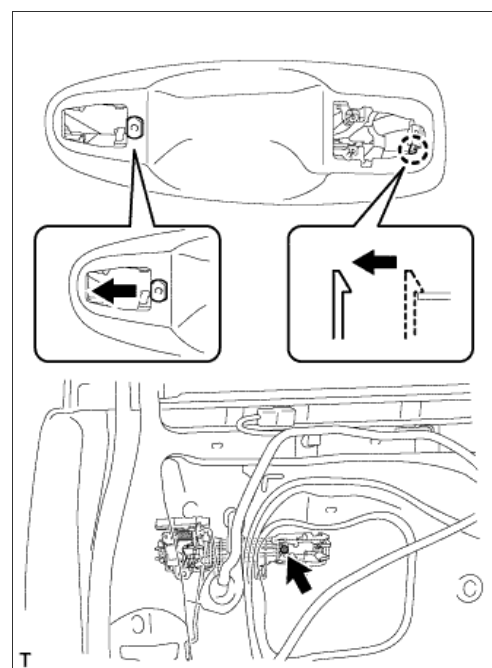
33. REMOVE FRONT DOOR OUTSIDE HANDLE FRAME SUB-ASSEMBLY LH

a. w/ Entry and Start System:

- i. Disconnect the connector.
- ii. Detach the clamp and remove the front door No. 2 wire.

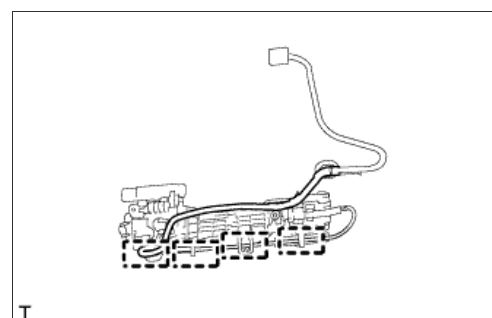


- b. Using a T30 "TORX" socket wrench, loosen the screw.
- c. Slide the front door outside handle frame sub-assembly to detach the door handle nut and claw of the front door outside handle frame sub-assembly, and then remove the front door outside handle frame sub-assembly.



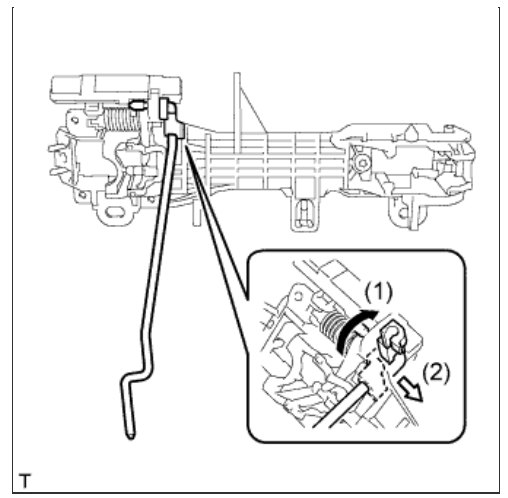
34. REMOVE FRONT DOOR NO. 2 WIRE LH (w/ Entry and Start System)

- a. Detach the 4 clamps and remove the front door No. 2 wire.



35. REMOVE FRONT DOOR LOCK OPEN ROD LH

- a. Remove the front door lock open rod as indicated by the arrows, in the order shown in the illustration.



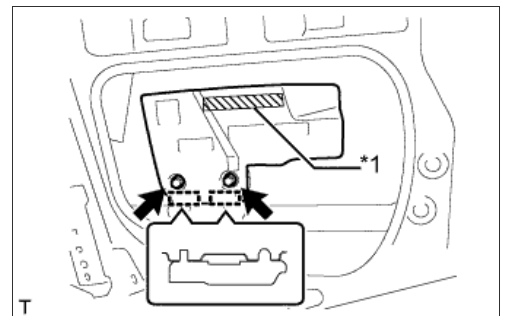
36. REMOVE FRONT DOOR NO. 2 STIFFENER CUSHION

- a. Remove the 2 bolts.

Text in Illustration

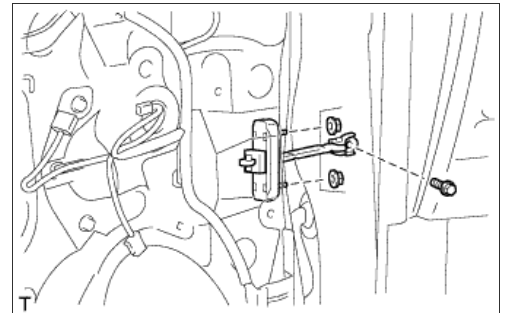
*1	Double-sided Tape
----	-------------------

- b. Detach the 2 claws and remove the front door No. 2 stiffener cushion.



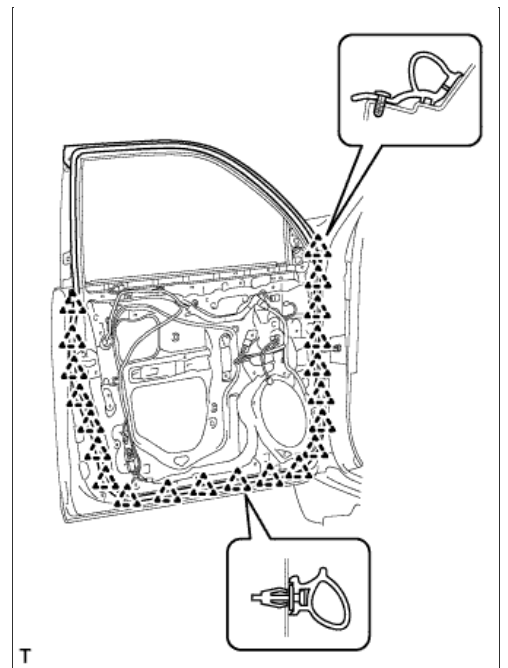
37. REMOVE FRONT DOOR CHECK ASSEMBLY LH

- a. Remove the bolt, 2 nuts and front door check assembly.



38. REMOVE FRONT DOOR WEATHERSTRIP LH

- a. Using a clip remover, detach the 21 clips and remove the front door weatherstrip.

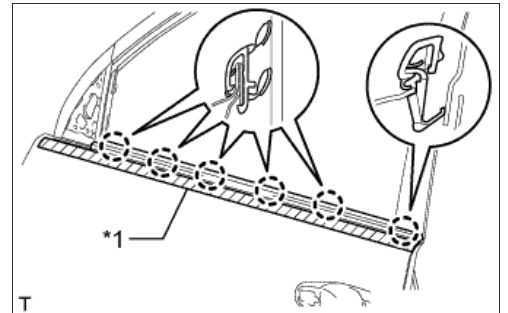


39. REMOVE FRONT DOOR BELT MOULDING LH

- a. Put protective tape around the belt moulding.
- b. Detach the 6 claws and remove the front door belt moulding.

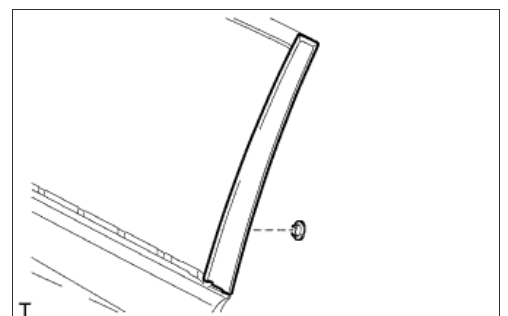
Text in Illustration

*1	Protective Tape
----	-----------------



40. REMOVE FRONT DOOR REAR WINDOW FRAME MOULDING LH

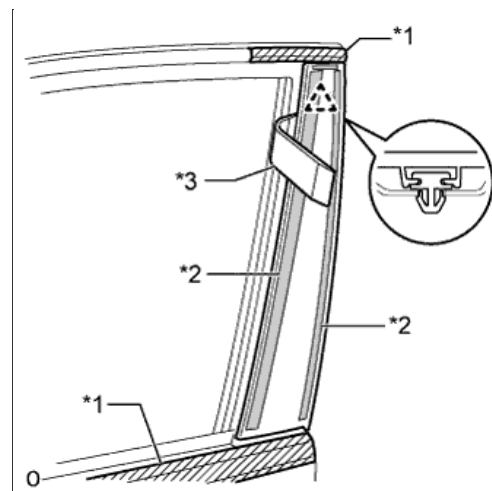
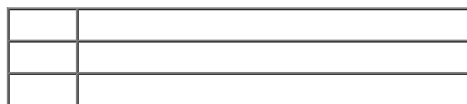
- a. Remove the door window frame moulding clip.



- b. Put protective tape around the front door rear window frame moulding.
- c. Using a moulding remover, detach the clip and remove the double-sided tape to remove the front door rear window frame moulding.

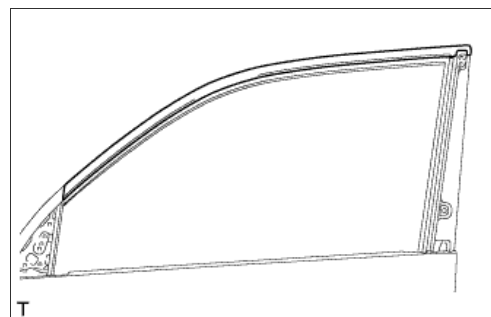
Text in Illustration

*1	Protective Tape
*2	Double-sided Tape
*3	Moulding Remover



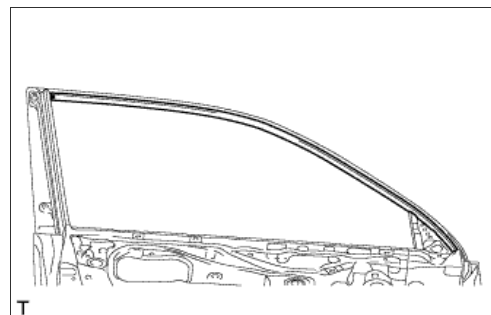
41. REMOVE NO. 1 BLACK OUT TAPE LH

- a. Pull back an edge of the black out tape and pull it parallel to the vehicle body to remove it.



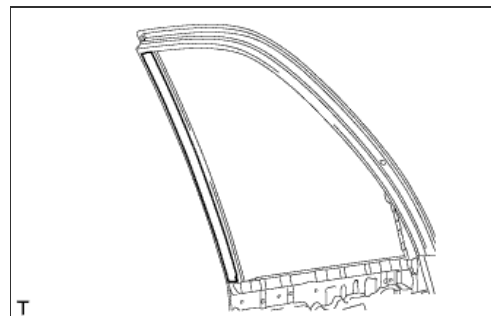
42. REMOVE FRONT DOOR OUTSIDE STRIPE LH

- a. Pull back an edge of the front door outside stripe and pull it parallel to the vehicle body to remove it.



43. REMOVE LOWER FRONT DOOR OUTSIDE STRIPE LH

- a. Pull back an edge of the lower front door outside stripe and pull it parallel to the vehicle body to remove it.



44. REMOVE FRONT DOOR PANEL CUSHION

- a. Using a clip remover, detach the clip and remove

the door panel cushion.

