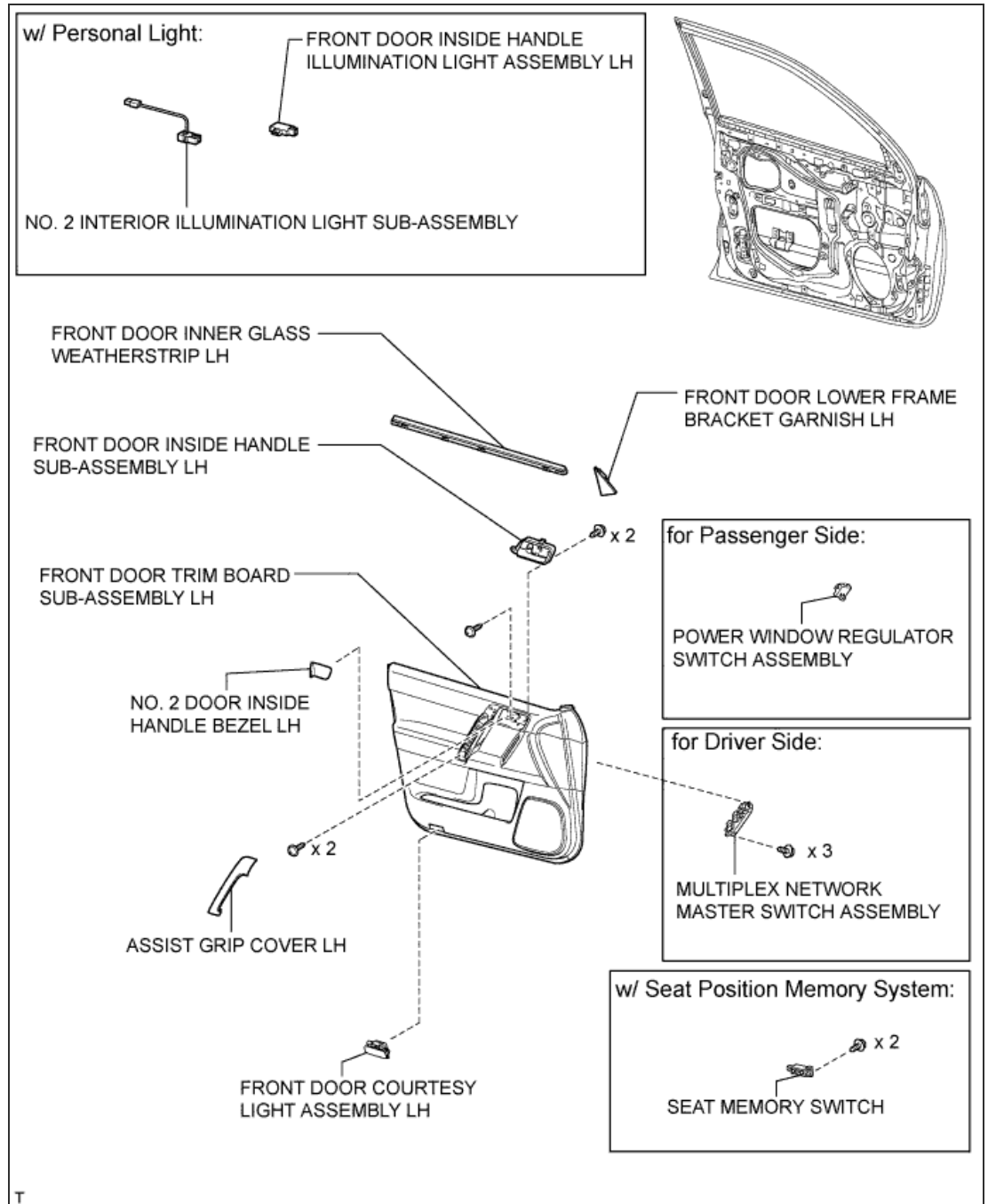


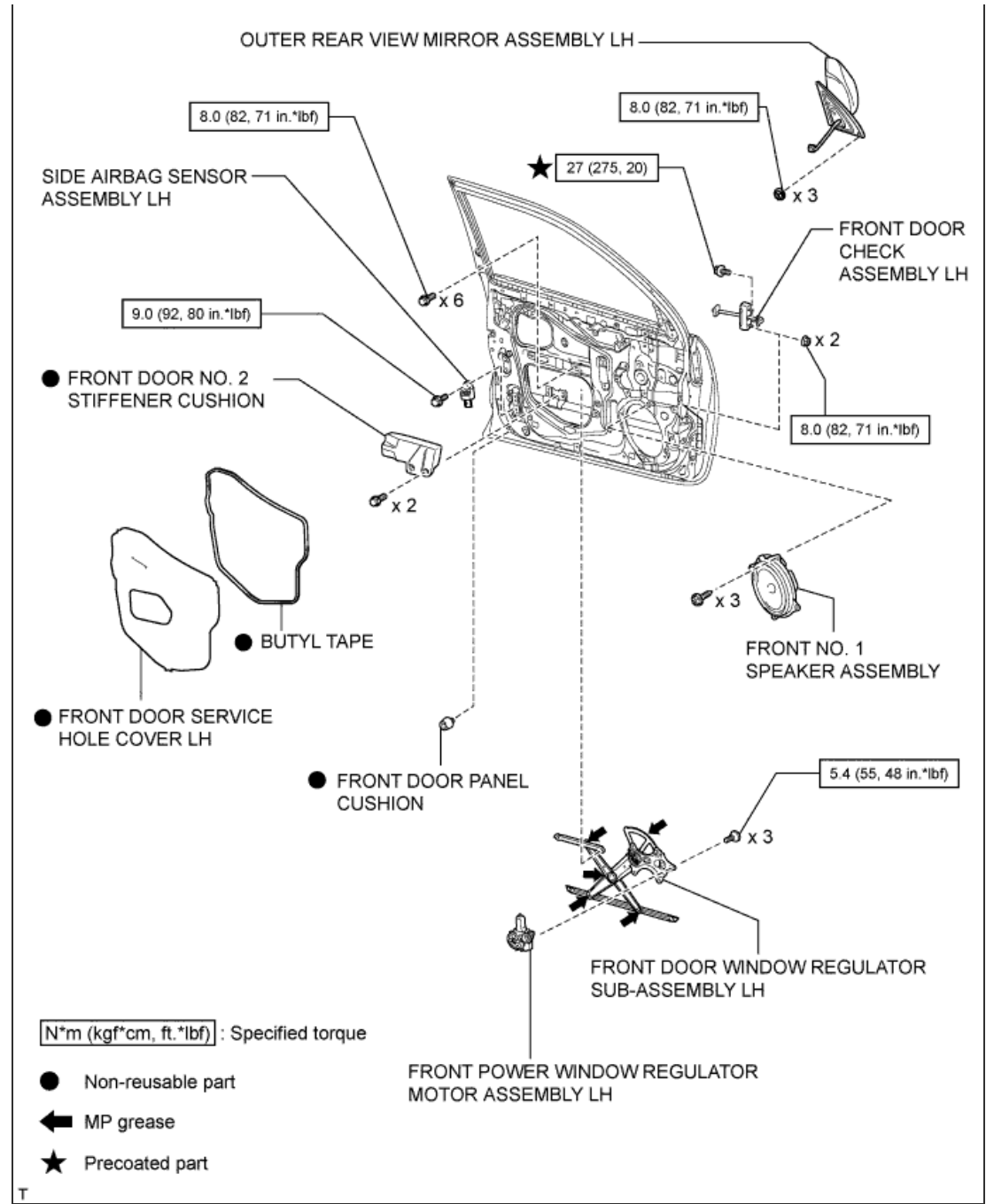
**FRONT DOOR >
COMPONENTS**

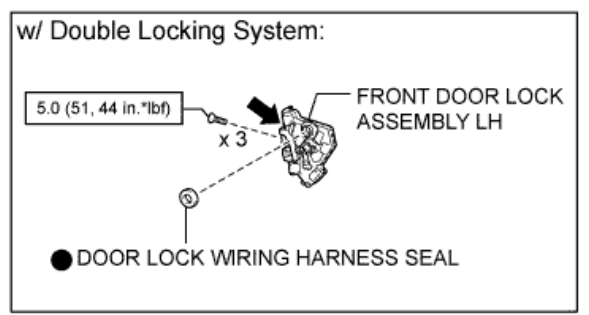
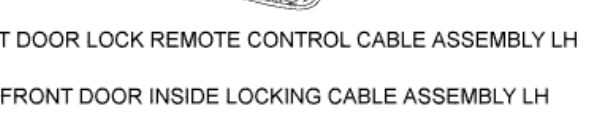
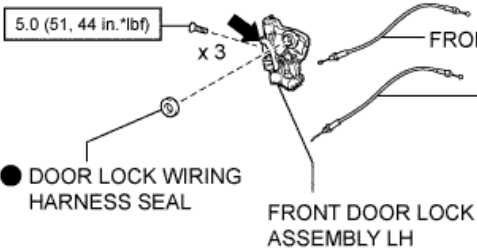
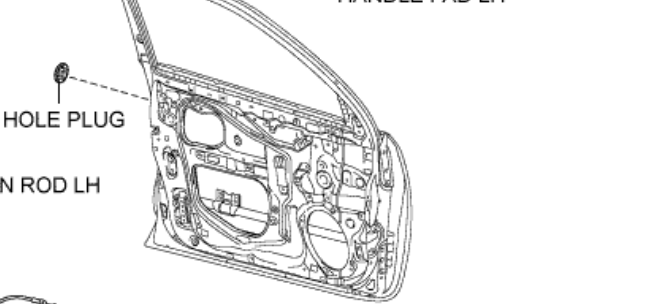
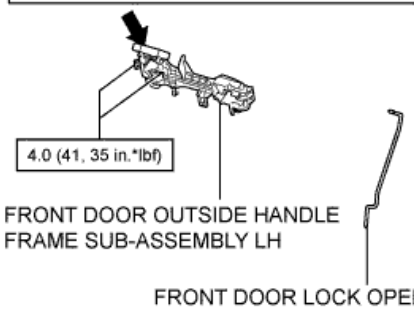
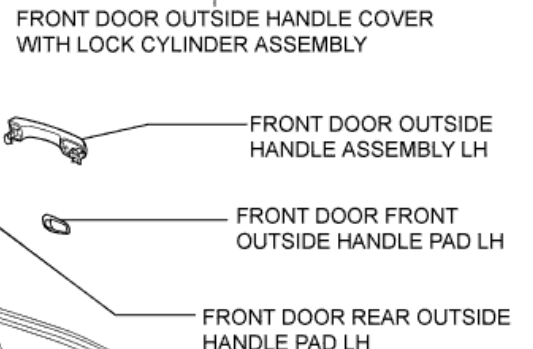
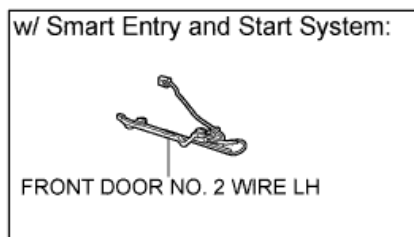
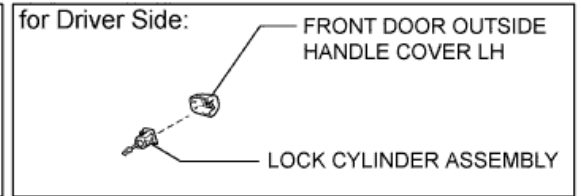
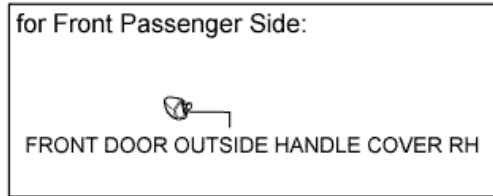
FRONT DOOR > COMPONENTS

for Preparation [Click here](#)



T





[N*m (kgf*cm, ft.*lbf)] : Specified torque

● Non-reusable part

← MP grease

T

