

HEADLIGHT ASSEMBLY (for HID Headlight) > DISASSEMBLY

1. REMOVE NO. 1 HEADLIGHT BACK COVER
2. REMOVE DISCHARGE HEADLIGHT BULB
3. REMOVE NO. 2 HEADLIGHT BULB
4. REMOVE CLEARANCE LIGHT BULB
5. REMOVE FRONT TURN SIGNAL LIGHT SOCKET
6. REMOVE FRONT TURN SIGNAL LIGHT BULB
7. REMOVE HEADLIGHT LEVELING MOTOR LH
8. REMOVE HEADLIGHT LIGHT CONTROL ECU SUB-ASSEMBLY LH
9. REMOVE HEADLIGHT GASKET
10. REMOVE HEADLIGHT REFLECTOR LH

HEADLIGHT ASSEMBLY (for HID Headlight) > DISASSEMBLY

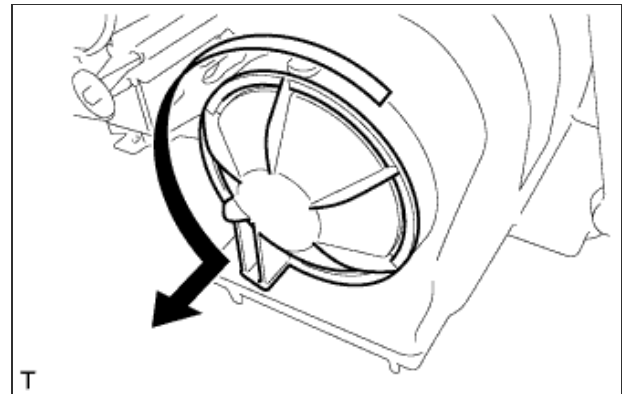
for Preparation [Click here](#)

HINT:

- Use the same procedure for the RH and LH sides.
- The procedure listed below is for the LH side.

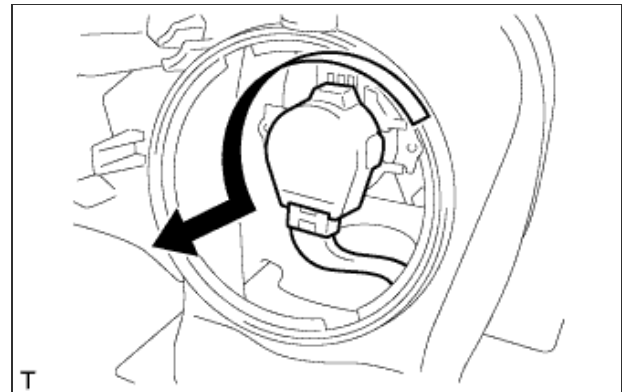
1. REMOVE NO. 1 HEADLIGHT BACK COVER

- a. Turn the back cover in the direction indicated by the arrow and remove it.



2. REMOVE DISCHARGE HEADLIGHT BULB

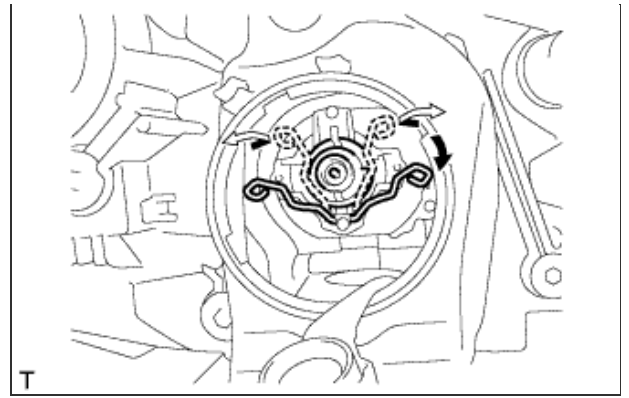
- a. Turn the headlight control ECU socket in the direction indicated by the arrow and disconnect the headlight control ECU socket.



- b. Release the set spring lock as shown in the illustration and remove the bulb.

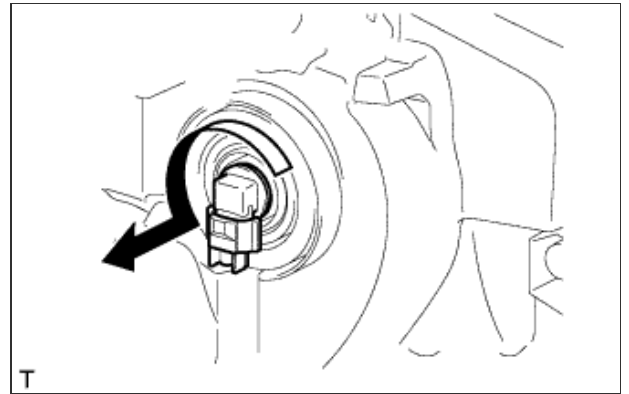
NOTICE:

Do not touch the glass part of the bulb.



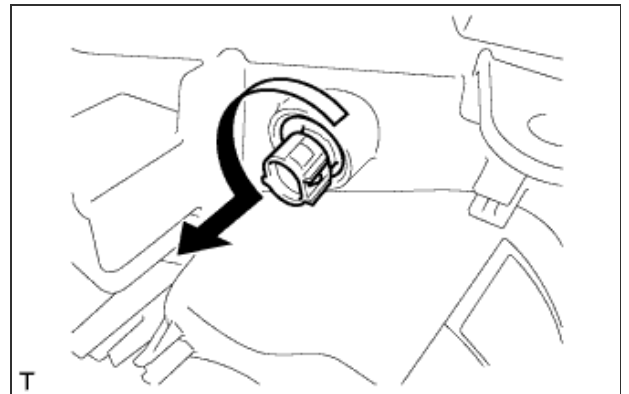
3. REMOVE NO. 2 HEADLIGHT BULB

- a. Turn the bulb in the direction indicated by the arrow and remove it.



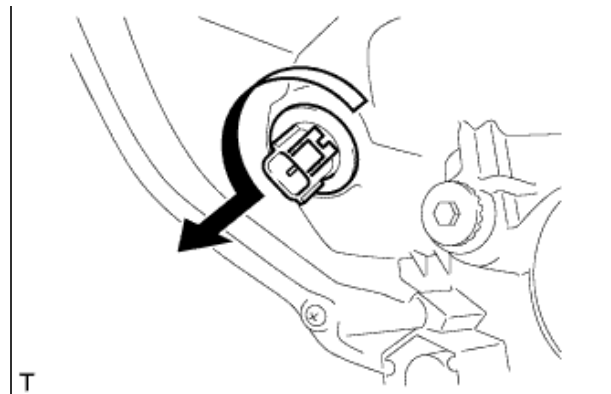
4. REMOVE CLEARANCE LIGHT BULB

- a. Turn the socket in the direction indicated by the arrow and remove it.
- b. Remove the bulb.



5. REMOVE FRONT TURN SIGNAL LIGHT SOCKET

- a. Turn the socket in the direction indicated by the arrow and remove it.



6. REMOVE FRONT TURN SIGNAL LIGHT BULB

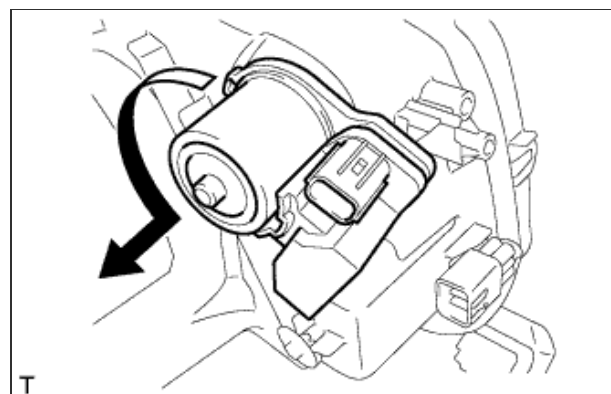
- a. Remove the bulb.

7. REMOVE HEADLIGHT LEVELING MOTOR LH

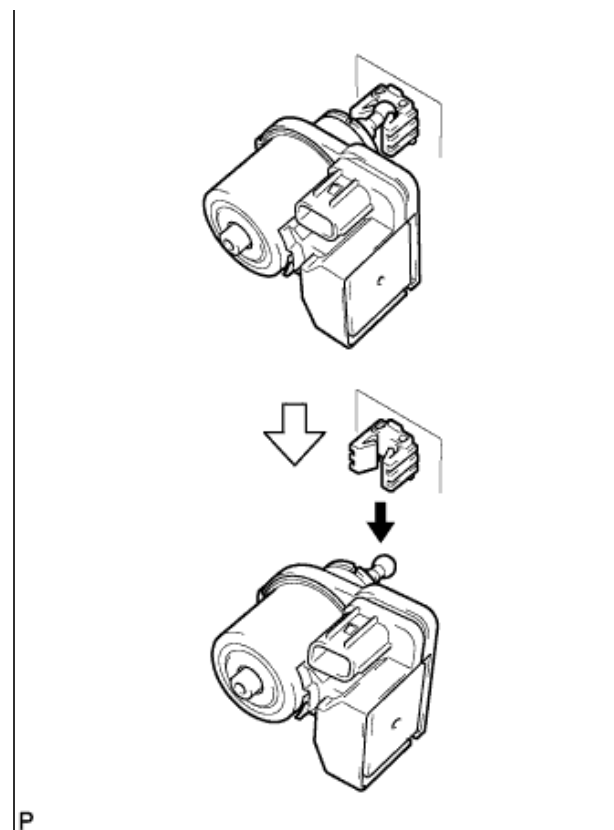
- a. Align the notches of the headlight leveling motor and housing, and pull out the headlight leveling motor slightly.

HINT:

For the headlight leveling motor RH, rotate it in the opposite direction of the arrow shown in the illustration before pulling it out.

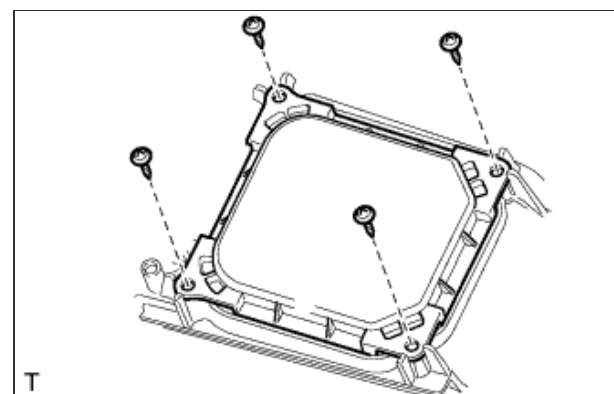


- b. Lower the tip of the headlight leveling motor to disengage it from the reflector and remove the headlight leveling motor.

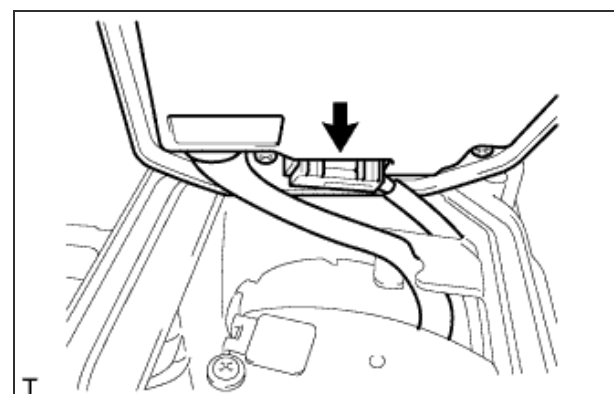


8. REMOVE HEADLIGHT LIGHT CONTROL ECU SUB-ASSEMBLY LH

- a. Remove the 4 screws.



- b. Disconnect the connector and remove the headlight light control ECU sub-assembly.

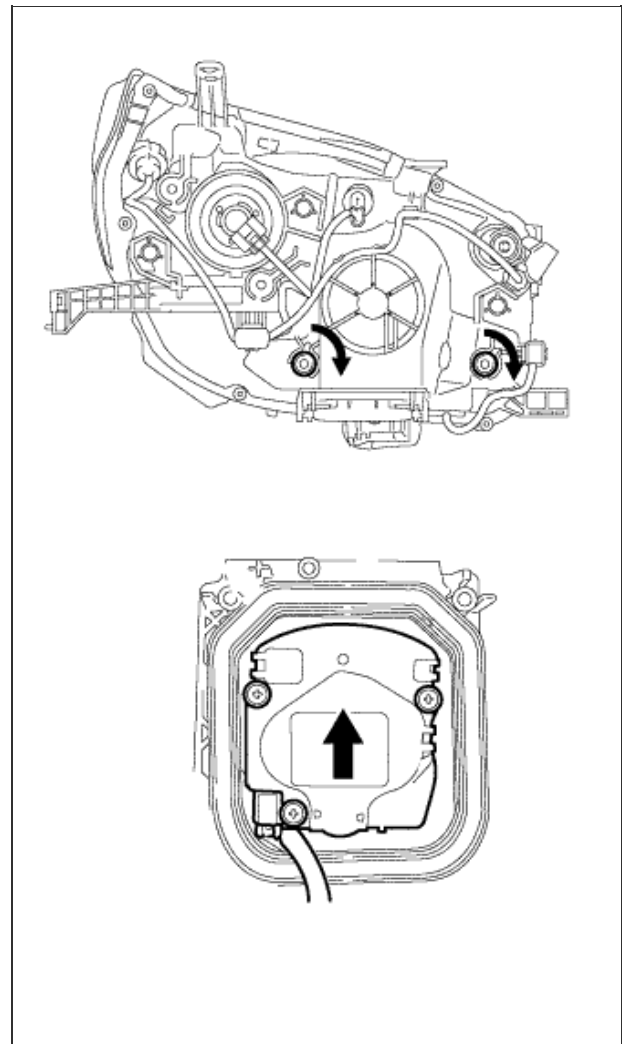


9. REMOVE HEADLIGHT GASKET

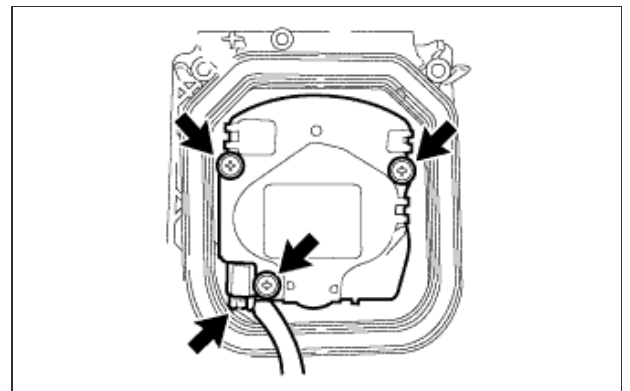
- a. Remove the gasket.

10. REMOVE HEADLIGHT REFLECTOR LH

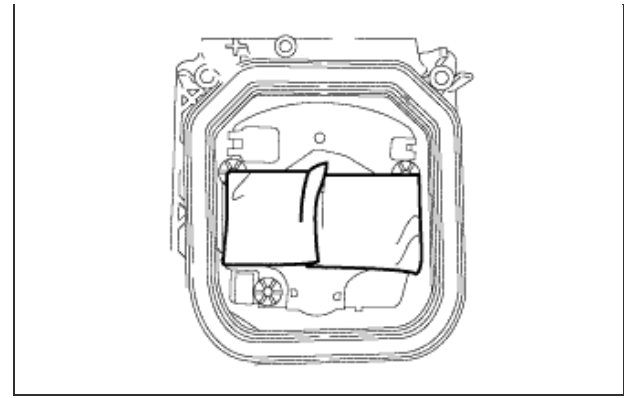
- a. Turn the aiming screw clockwise, and move the motor so that it can be removed.



- b. Disconnect the connector.
c. Remove the 3 screws.



- d. Apply tape as shown in the illustration.



- e. Remove the headlight reflector LH as shown in the illustration.

NOTICE:

Make sure not to damage the headlight control ECU socket harness.

