

HEADLIGHT ASSEMBLY (for HID Headlight) > REMOVAL

1. DISCONNECT CABLE FROM NEGATIVE BATTERY TERMINAL
2. REMOVE RADIATOR GRILLE
3. REMOVE FRONT BUMPER COVER
4. REMOVE FRONT BUMPER BAR REINFORCEMENT LH
5. REMOVE HEADLIGHT ASSEMBLY LH

HEADLIGHT ASSEMBLY (for HID Headlight) > REMOVAL

for Preparation [Click here](#)

HINT:

- Use the same procedure for the RH and LH sides.
- The procedure listed below is for the LH side.

1. DISCONNECT CABLE FROM NEGATIVE BATTERY TERMINAL

NOTICE:

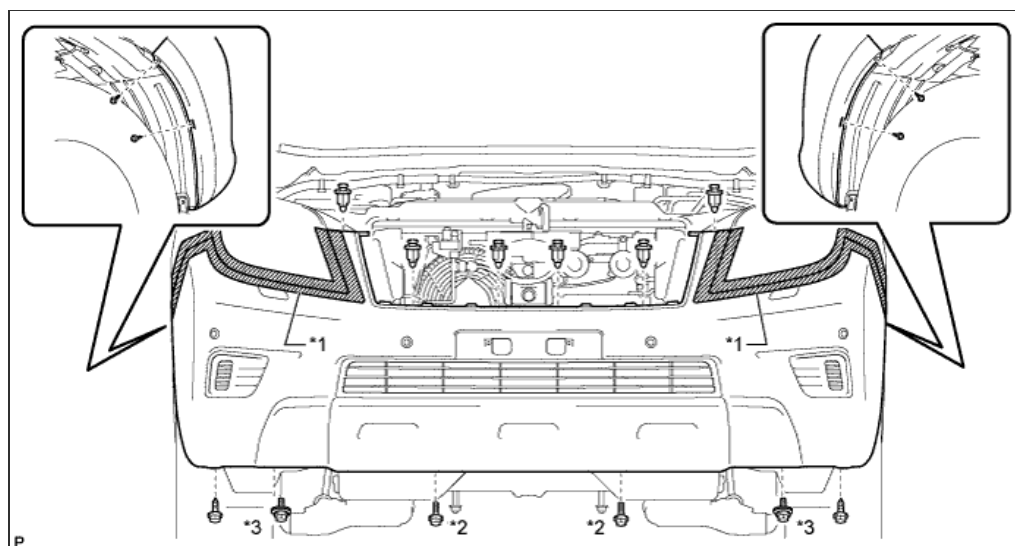
- After turning the ignition switch off, waiting time may be required before disconnecting the cable from the battery terminal. Therefore, make sure to read the disconnecting the cable from the battery terminal notice before proceeding with work. ([Click here](#))
- When disconnecting the cable, some systems need to be initialized after the cable is reconnected ([Click here](#)).

2. REMOVE RADIATOR GRILLE

- a. Remove the radiator grille ([Click here](#)).

3. REMOVE FRONT BUMPER COVER

- a. Put protective tape around the front bumper cover.
- b. Remove the 2 bolts labeled A and 2 bolts labeled B.
- c. Remove the 6 screws and 6 clips.



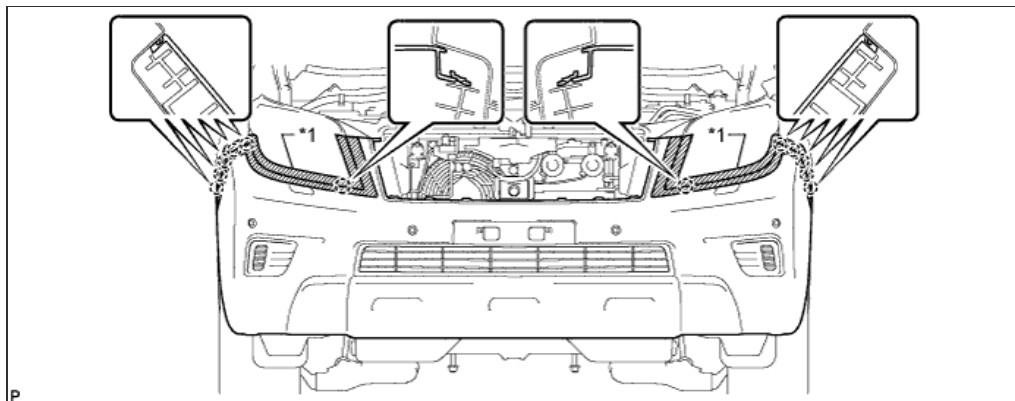
Text in Illustration

*1	Protective Tape	*2	Bolt A
*3	Bolt B	-	-

- d. Detach the 12 claws.
- e. w/ TOYOTA Parking Assist-sensor System, w/ Fog Light:
Disconnect the 3 connectors.
- f. w/ TOYOTA Parking Assist-sensor System, w/o Fog Light:
Disconnect the connector.
- g. w/o TOYOTA Parking Assist-sensor System, w/ Fog Light:
Disconnect the 2 connectors.

- h. w/ Headlight Cleaner System:
Disconnect the headlight cleaner hose.

- i. Remove the front bumper cover.

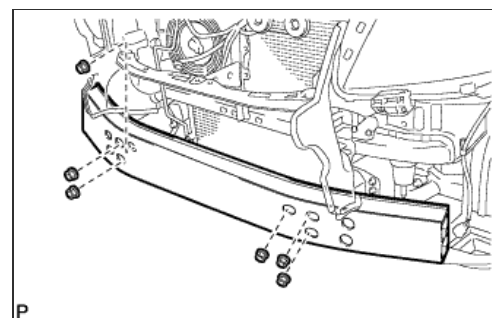


Text in Illustration

*1	Protective Tape	-	-
----	-----------------	---	---

4. REMOVE FRONT BUMPER BAR REINFORCEMENT LH

- a. Remove the 6 nuts and front bumper reinforcement.



5. REMOVE HEADLIGHT ASSEMBLY LH

- a. Remove the bolt and 2 screws.
- b. Detach the clamp.
- c. Disconnect the connectors and remove the headlight.

