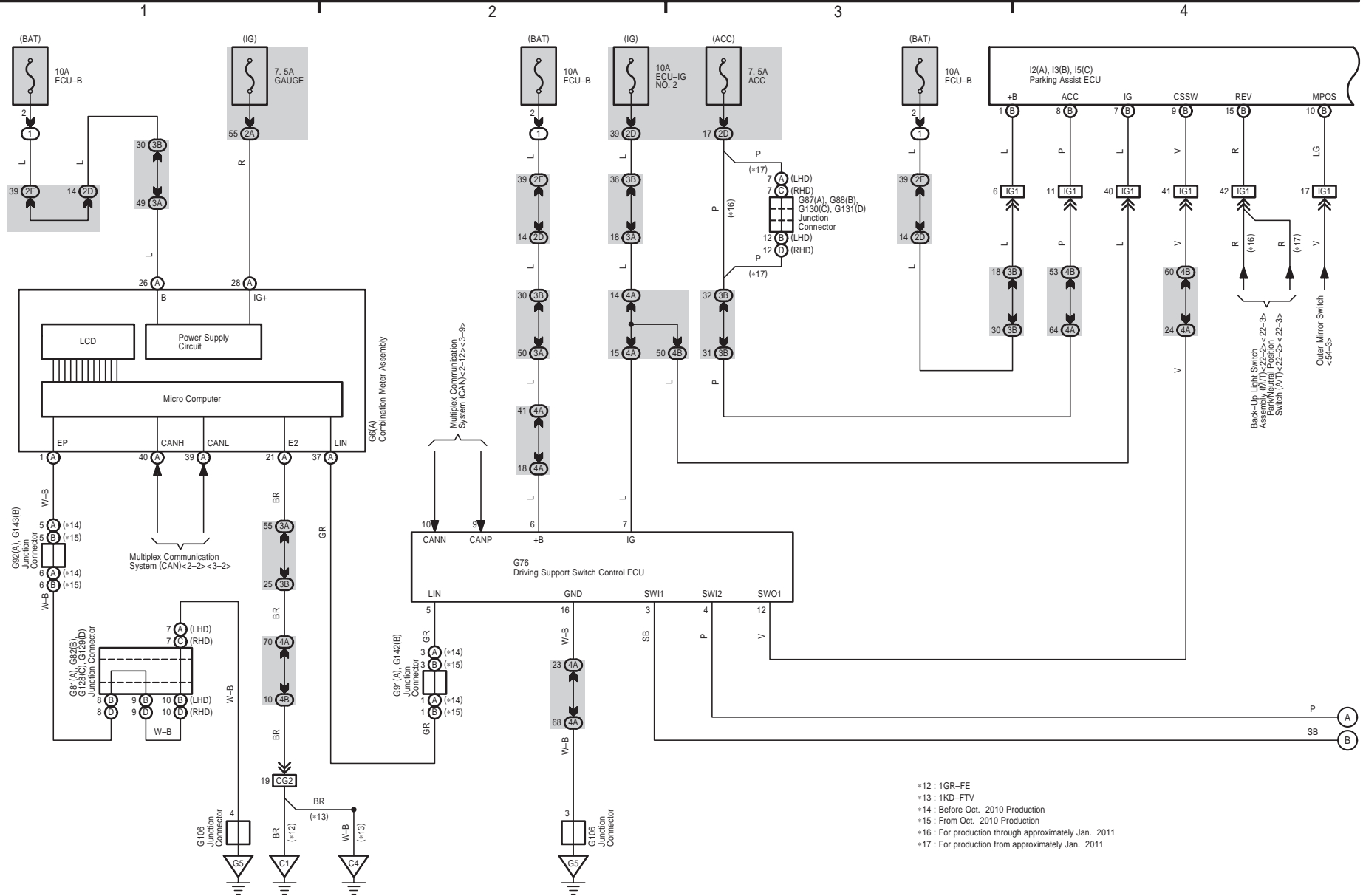


Audio System (w/ Navigation System), Navigation System, Multi-Terrain Monitor (w/ Navigation System), Parking Assist (Back Guide Monitor / Rear View Monitor and Wide-View Front & Side Monitor) (w/ Navigation System) and Parking Assist (TOYOTA Parking Assist-Sensor) (8 Sensor Type w/ Navigation System)



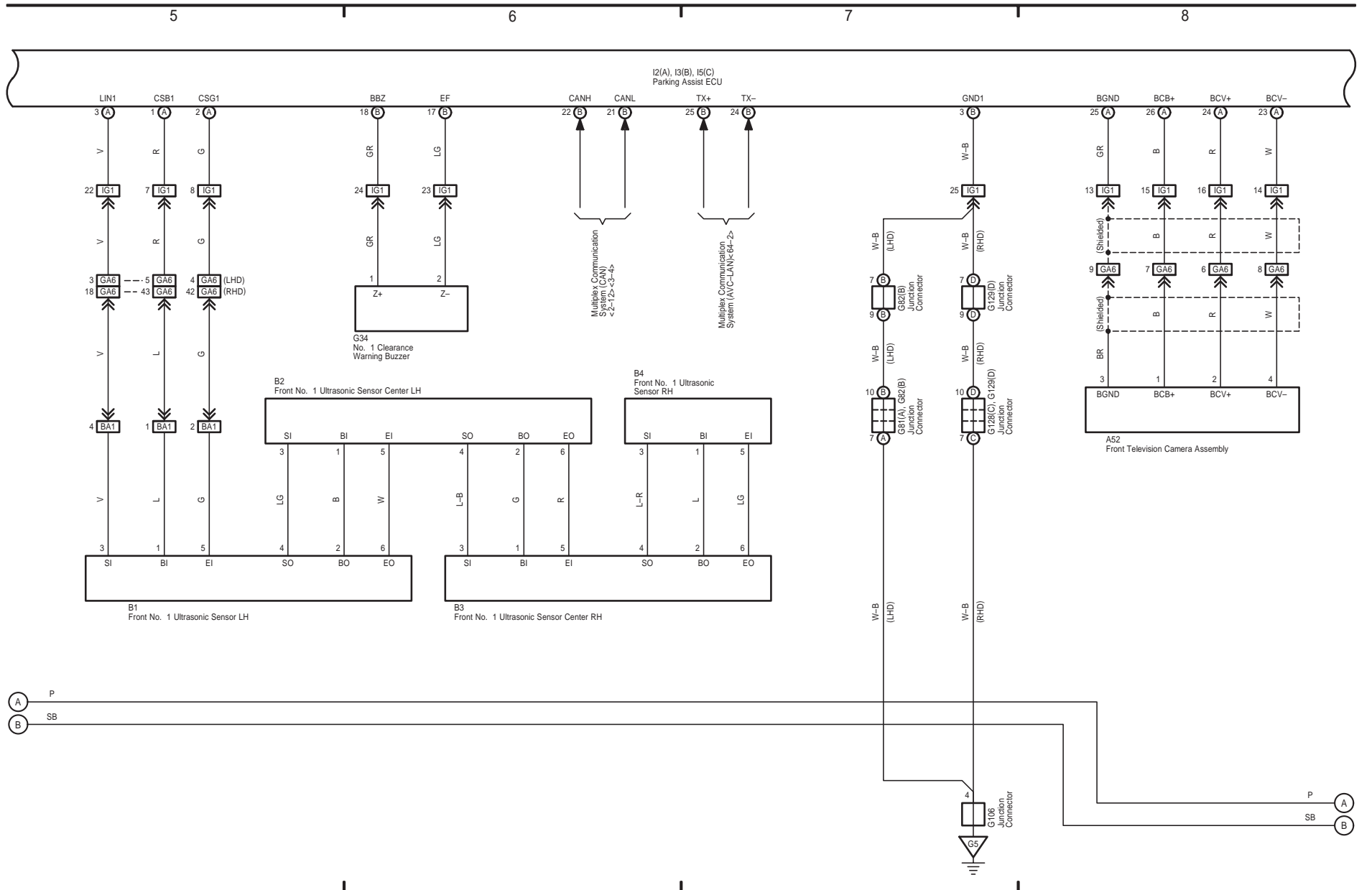
*12 : 1GR-FE
 *13 : 1KD-FTV
 *14 : Before Oct. 2010 Production
 *15 : From Oct. 2010 Production
 *16 : For production through approximately Jan. 2011
 *17 : For production from approximately Jan. 2011

LAND CRUISER / LAND CRUISER PRADO (EM17X1E)

M OVERALL ELECTRICAL WIRING DIAGRAM

Audio System (w/ Navigation System), Navigation System, Multi-Terrain Monitor (w/ Navigation System),
 Parking Assist (Back Guide Monitor / Rear View Monitor and Wide-View Front & Side Monitor) (w/ Navigation System)
 and Parking Assist (TOYOTA Parking Assist-Sensor) (8 Sensor Type w/ Navigation System)

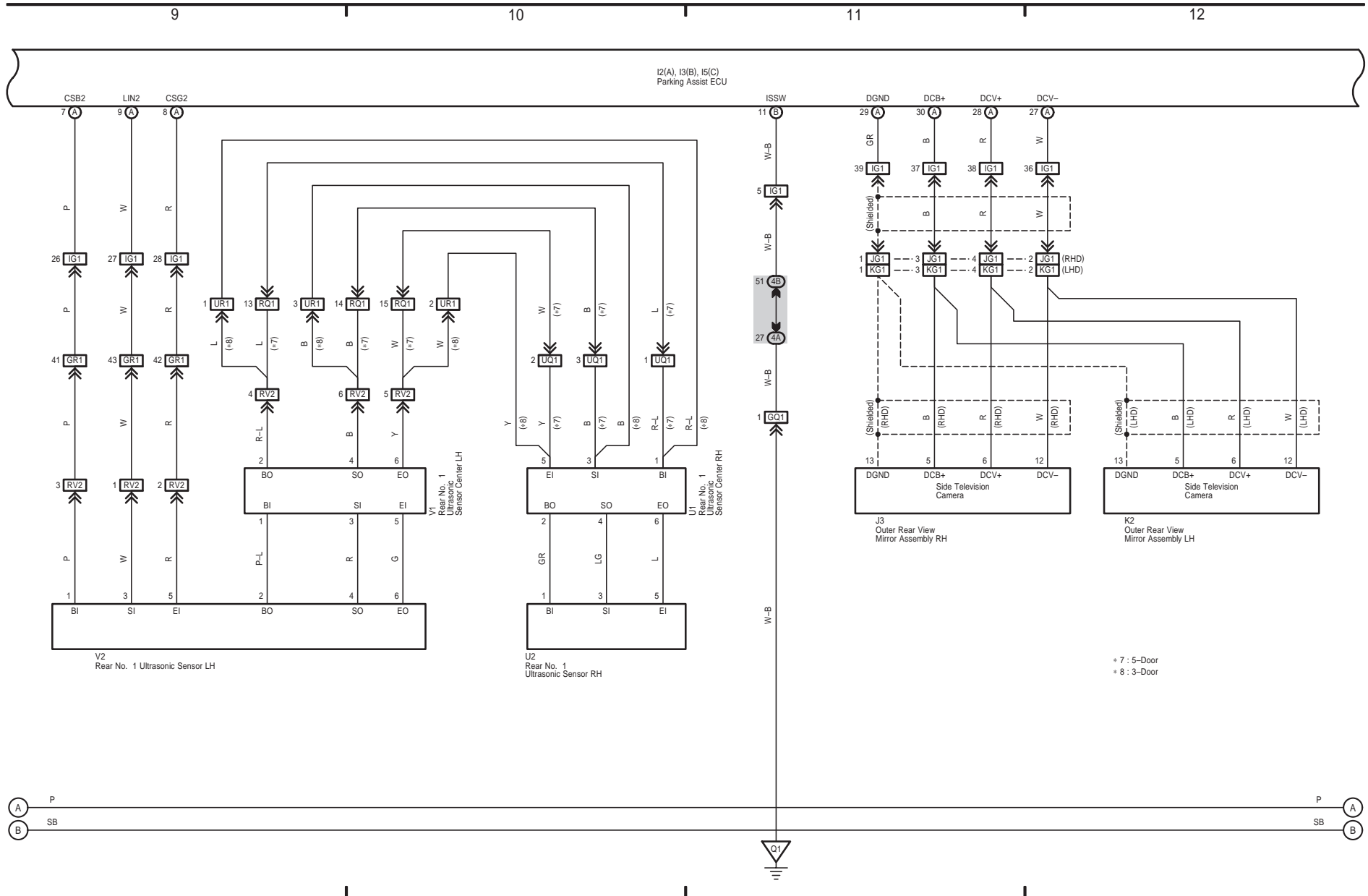
LAND CRUISER / LAND CRUISER PRADO (EM17X1E)



Audio System (w/ Navigation System), Navigation System, Multi-Terrain Monitor (w/ Navigation System), Parking Assist (Back Guide Monitor / Rear View Monitor and Wide-View Front & Side Monitor) (w/ Navigation System) and Parking Assist (TOYOTA Parking Assist-Sensor) (8 Sensor Type w/ Navigation System)

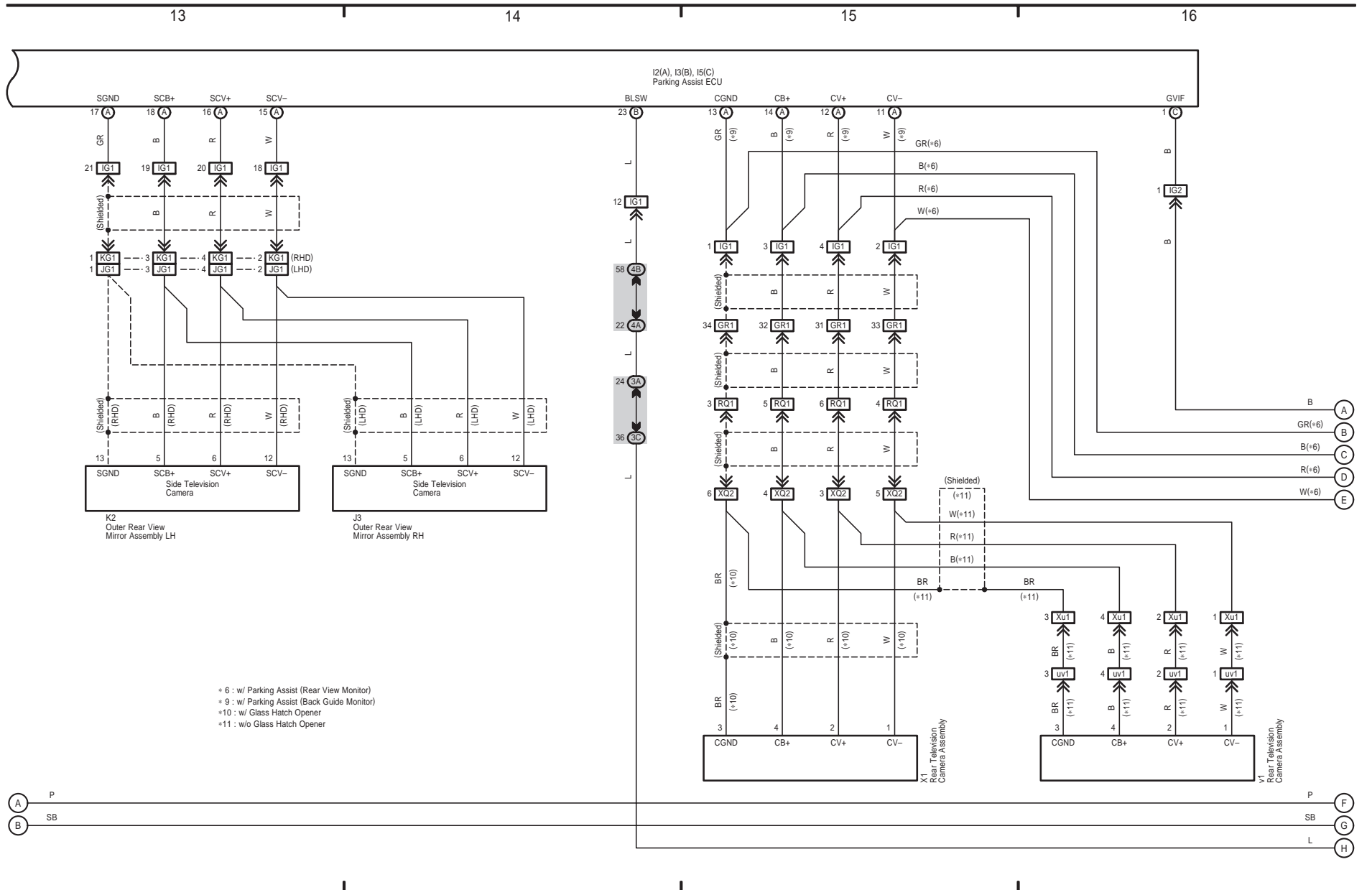
LAND CRUISER / LAND CRUISER PRADO (EM17X1E)

M OVERALL ELECTRICAL WIRING DIAGRAM



Audio System (w/ Navigation System), Navigation System, Multi-Terrain Monitor (w/ Navigation System),
 Parking Assist (Back Guide Monitor / Rear View Monitor and Wide-View Front & Side Monitor) (w/ Navigation System)
 and Parking Assist (TOYOTA Parking Assist-Sensor) (8 Sensor Type w/ Navigation System)

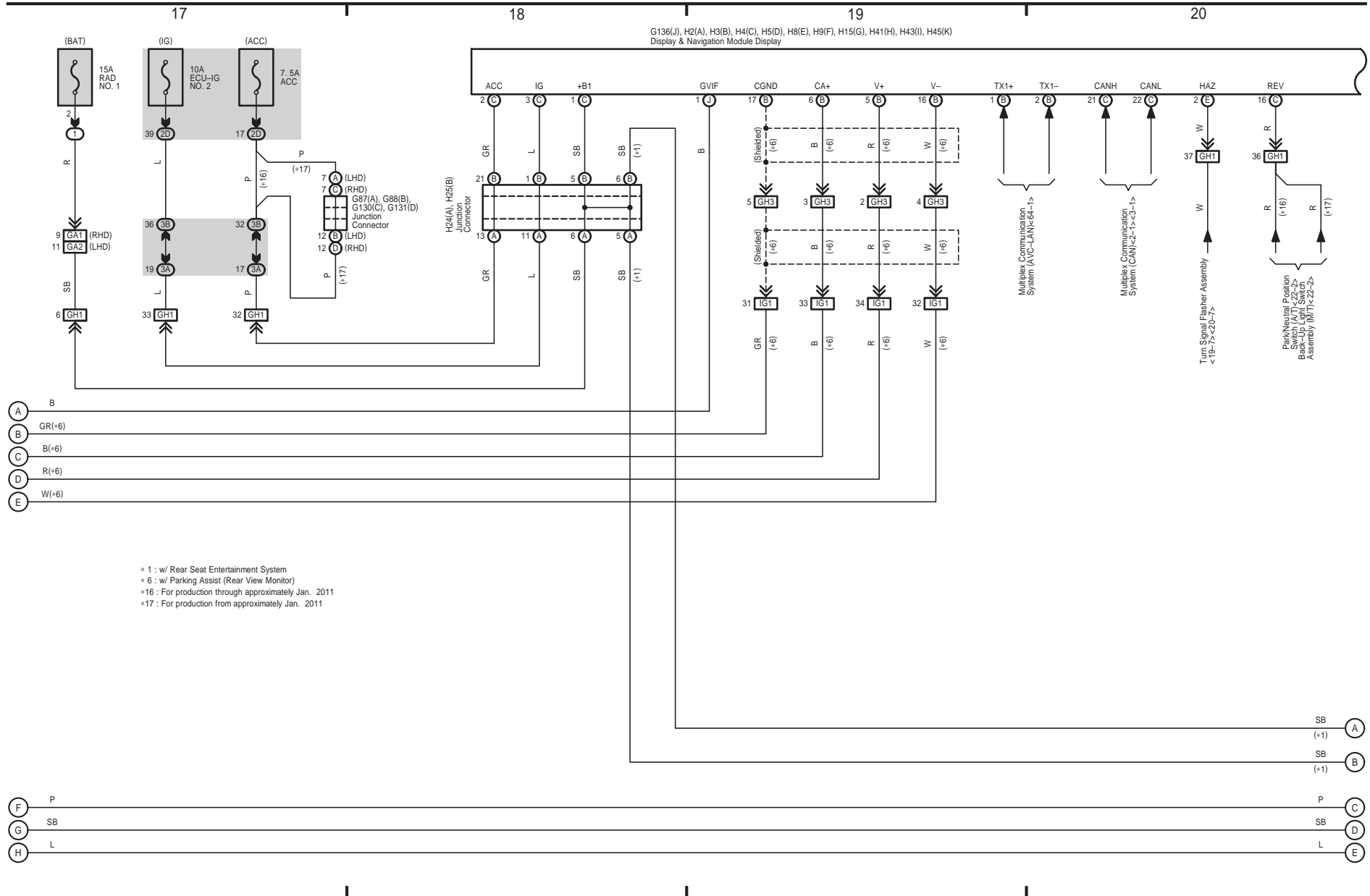
LAND CRUISER / LAND CRUISER PRADO (EM17X1E)



Audio System (w/ Navigation System), Navigation System, Multi-Terrain Monitor (w/ Navigation System), Parking Assist (Back Guide Monitor / Rear View Monitor and Wide-View Front & Side Monitor) (w/ Navigation System) and Parking Assist (TOYOTA Parking Assist-Sensor) (8 Sensor Type w/ Navigation System)

LAND CRUISER / LAND CRUISER PRADO (EM17X1E)

M OVERALL ELECTRICAL WIRING DIAGRAM



Audio System (w/ Navigation System), Navigation System, Multi-Terrain Monitor (w/ Navigation System), Parking Assist (Back Guide Monitor / Rear View Monitor and Wide-View Front & Side Monitor) (w/ Navigation System) and Parking Assist (TOYOTA Parking Assist-Sensor) (8 Sensor Type w/ Navigation System)

21

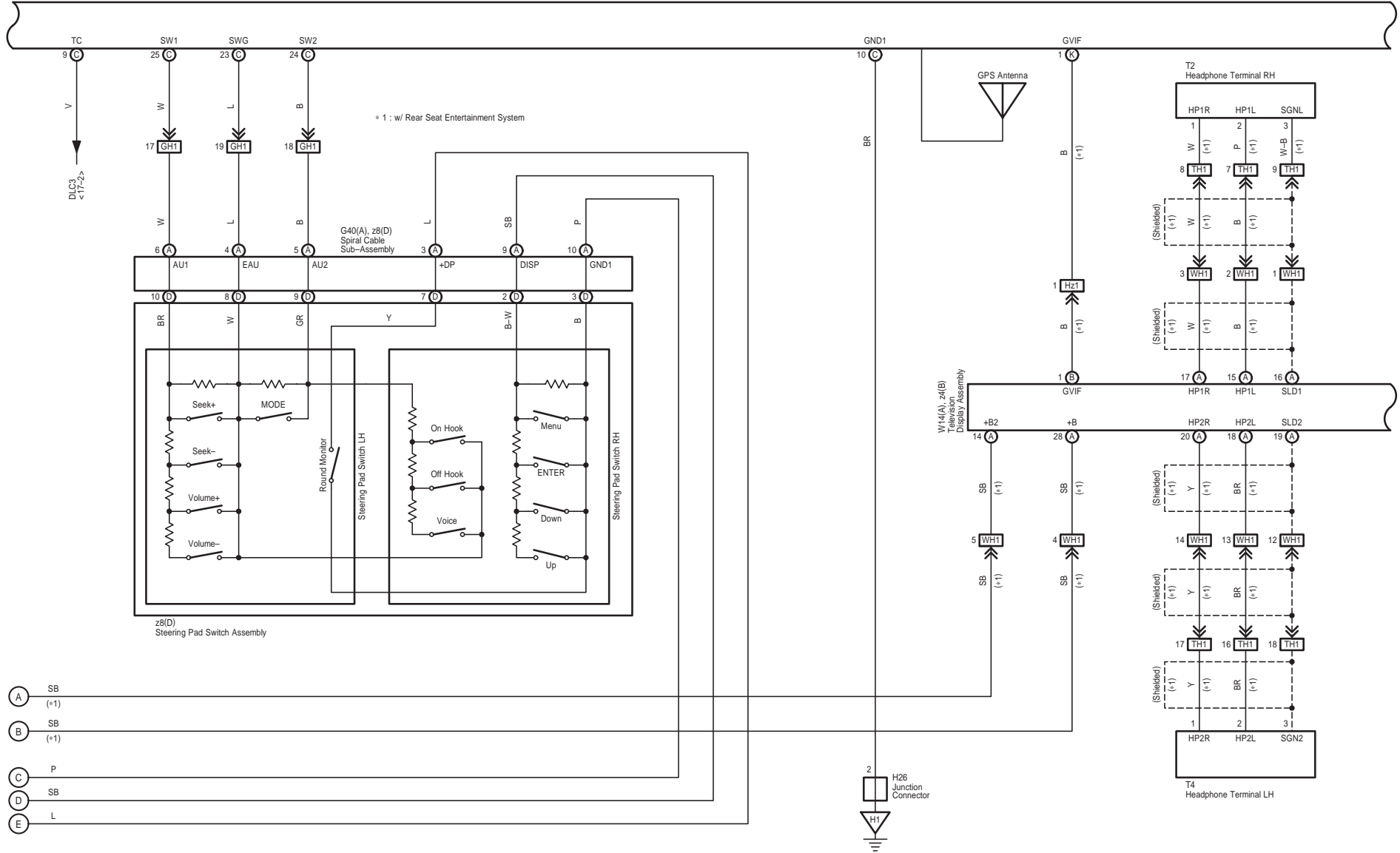
22

23

24

G136(J), H2(A), H3(B), H4(C), H5(D), H8(E), H9(F), H15(G), H41(H), H43(I), H45(K)
Display & Navigation Module Display

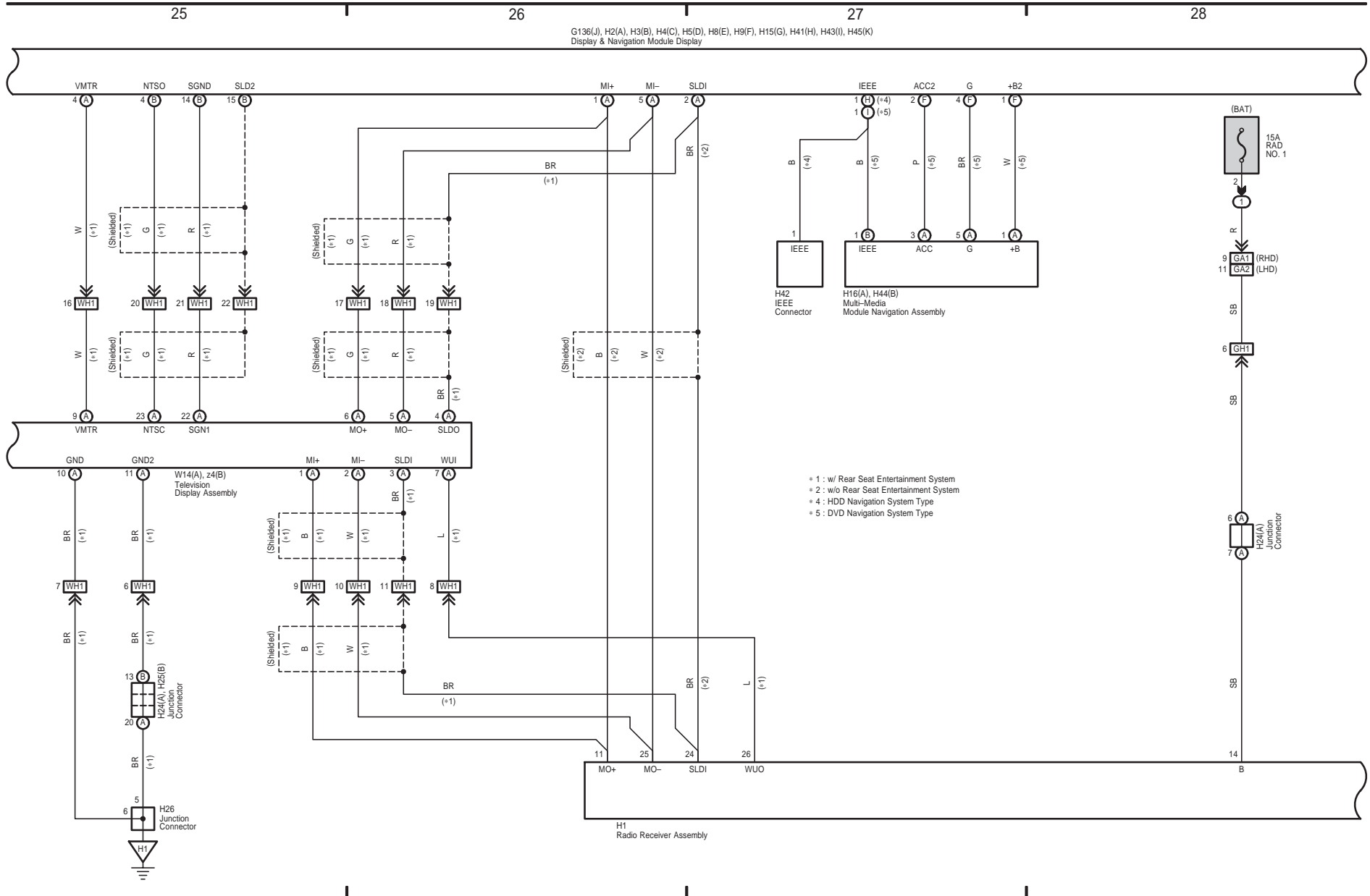
LAND CRUISER / LAND CRUISER PRADO (EM17X1E)



Audio System (w/ Navigation System), Navigation System, Multi-Terrain Monitor (w/ Navigation System), Parking Assist (Back Guide Monitor / Rear View Monitor and Wide-View Front & Side Monitor) (w/ Navigation System) and Parking Assist (TOYOTA Parking Assist-Sensor) (8 Sensor Type w/ Navigation System)

LAND CRUISER / LAND CRUISER PRADO (EM17X1E)

M OVERALL ELECTRICAL WIRING DIAGRAM



Audio System (w/ Navigation System), Navigation System, Multi-Terrain Monitor (w/ Navigation System), Parking Assist (Back Guide Monitor / Rear View Monitor and Wide-View Front & Side Monitor) (w/ Navigation System) and Parking Assist (TOYOTA Parking Assist-Sensor) (8 Sensor Type w/ Navigation System)

29

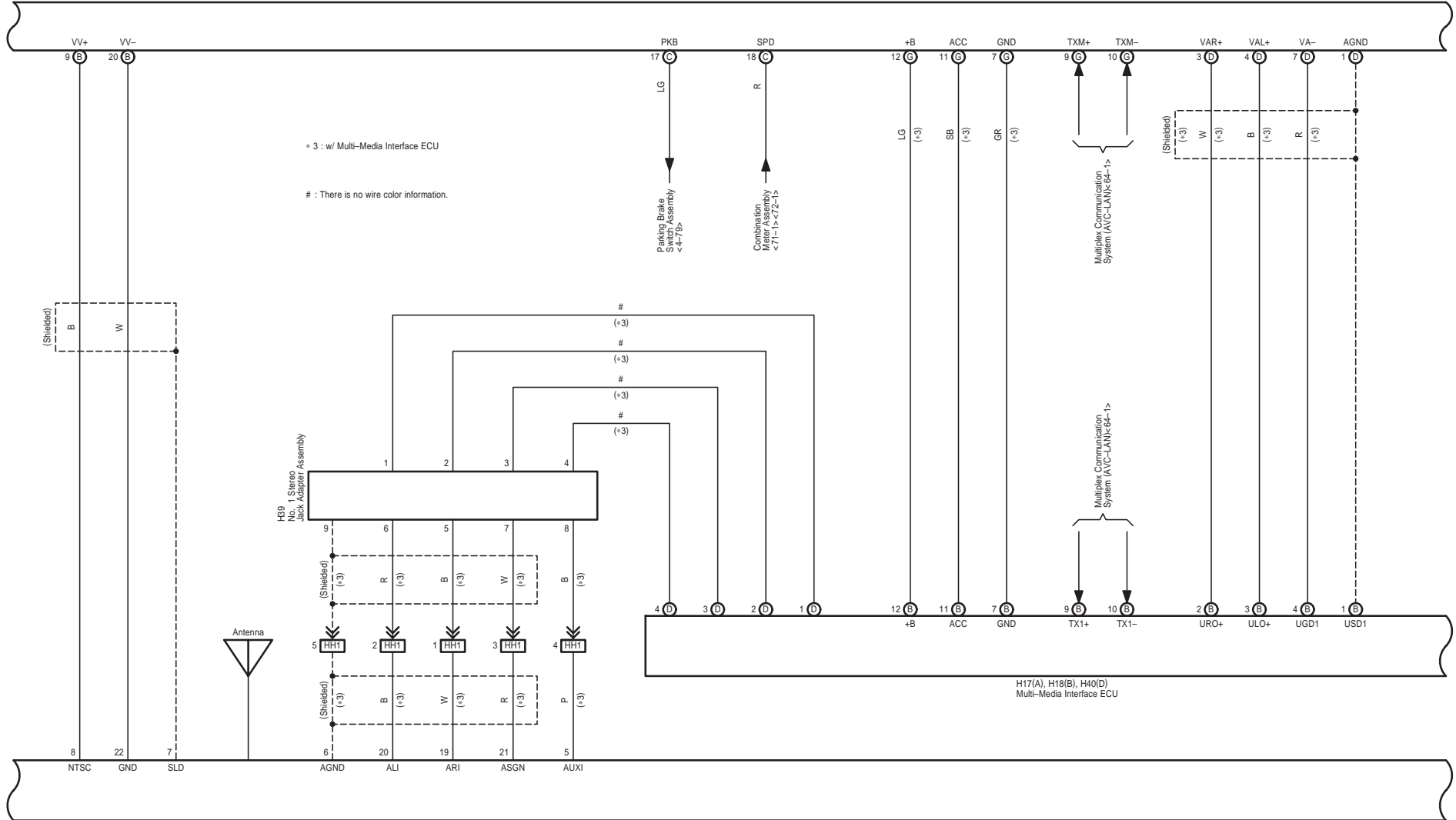
30

31

32

G136(J), H2(A), H3(B), H4(C), H5(D), H8(E), H9(F), H15(G), H41(H), H43(I), H45(K)
Display & Navigation Module Display

LAND CRUISER / LAND CRUISER PRADO (EM17X1E)



* 3 : w/ Multi-Media Interface ECU

: There is no wire color information.

(Shielded) B W



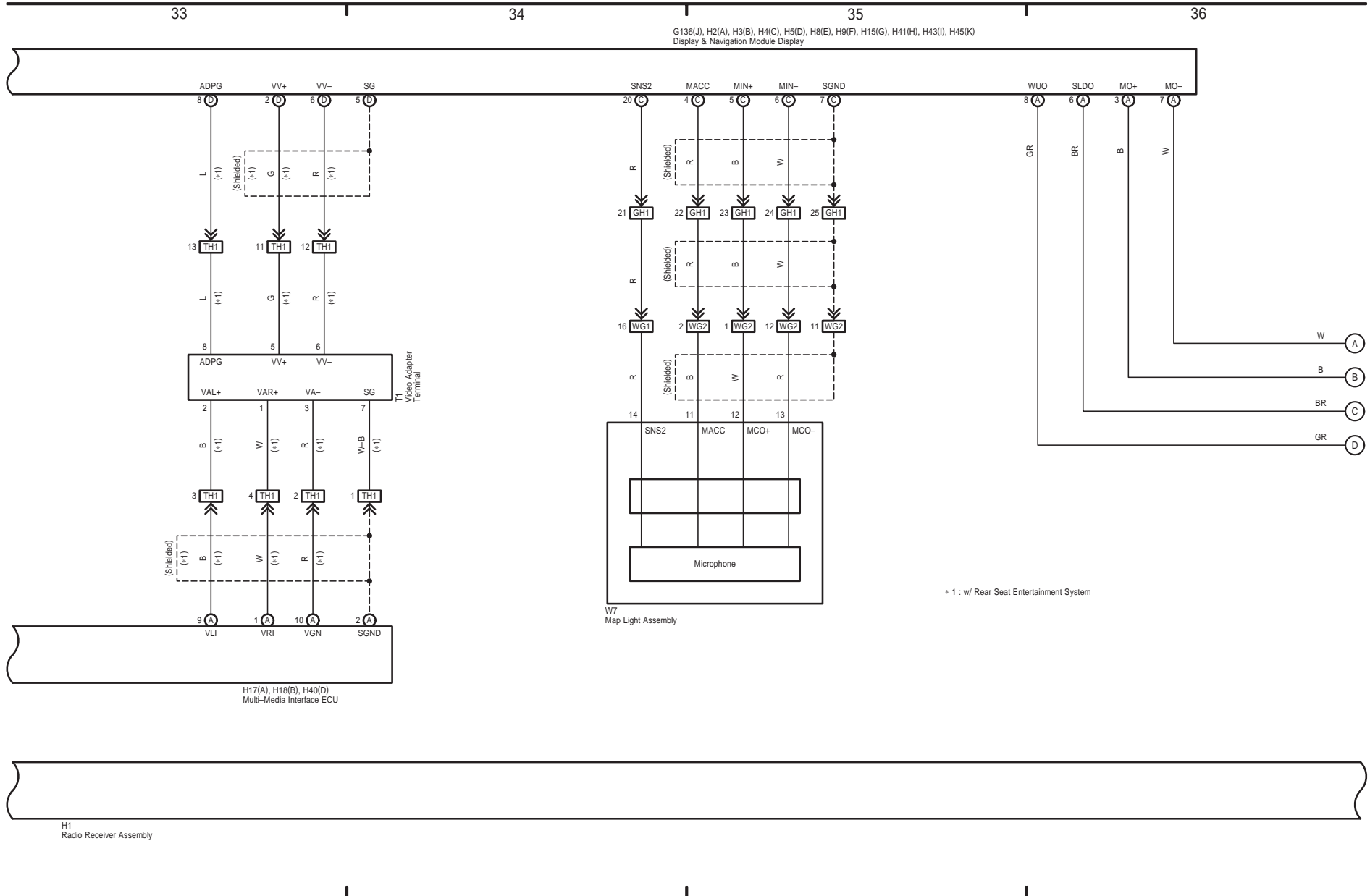
H1
Radio Receiver Assembly

H17(A), H18(B), H40(D)
Multi-Media Interface ECU

Audio System (w/ Navigation System), Navigation System, Multi-Terrain Monitor (w/ Navigation System), Parking Assist (Back Guide Monitor / Rear View Monitor and Wide-View Front & Side Monitor) (w/ Navigation System) and Parking Assist (TOYOTA Parking Assist-Sensor) (8 Sensor Type w/ Navigation System)

LAND CRUISER / LAND CRUISER PRADO (EM17X1E)

M OVERALL ELECTRICAL WIRING DIAGRAM



Audio System (w/ Navigation System), Navigation System, Multi-Terrain Monitor (w/ Navigation System), Parking Assist (Back Guide Monitor / Rear View Monitor and Wide-View Front & Side Monitor) (w/ Navigation System) and Parking Assist (TOYOTA Parking Assist-Sensor) (8 Sensor Type w/ Navigation System)

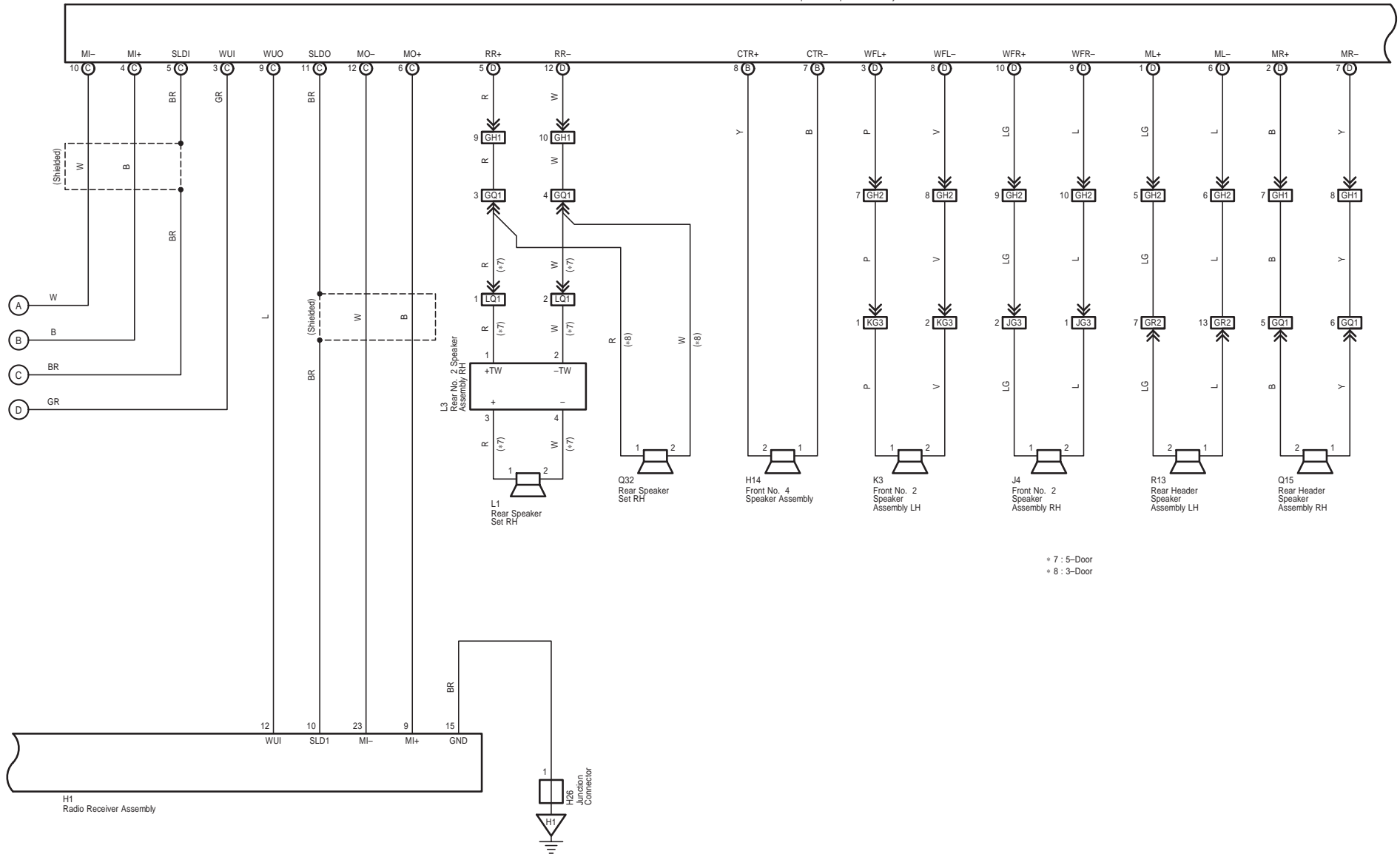
37

38

39

40

H6(A), H7(B), H11(C), H12(D)
Stereo Component Amplifier Assembly

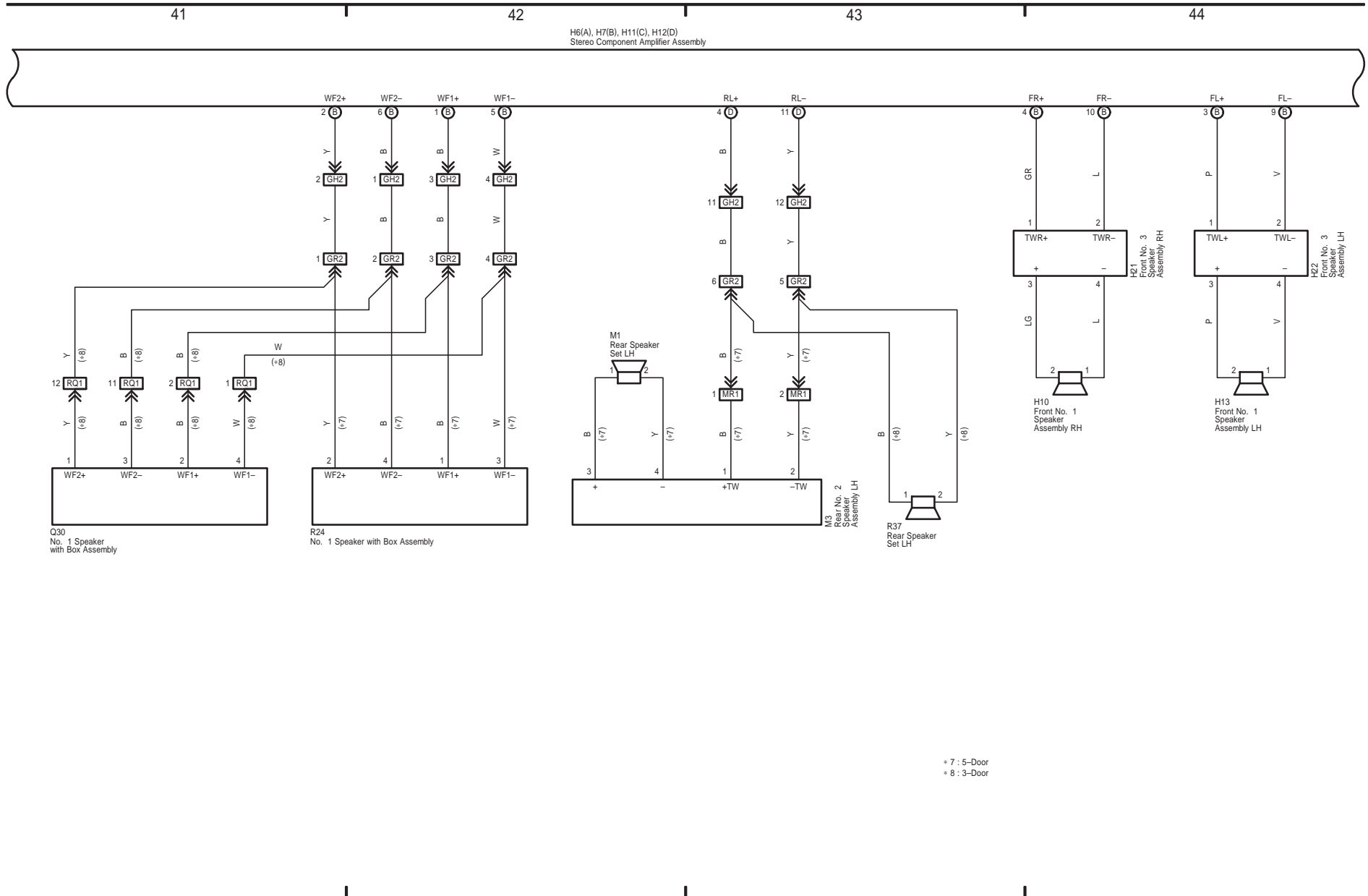


LAND CRUISER / LAND CRUISER PRADO (EM17X1E)

Audio System (w/ Navigation System), Navigation System, Multi-Terrain Monitor (w/ Navigation System),
 Parking Assist (Back Guide Monitor / Rear View Monitor and Wide-View Front & Side Monitor) (w/ Navigation System)
 and Parking Assist (TOYOTA Parking Assist-Sensor) (8 Sensor Type w/ Navigation System)

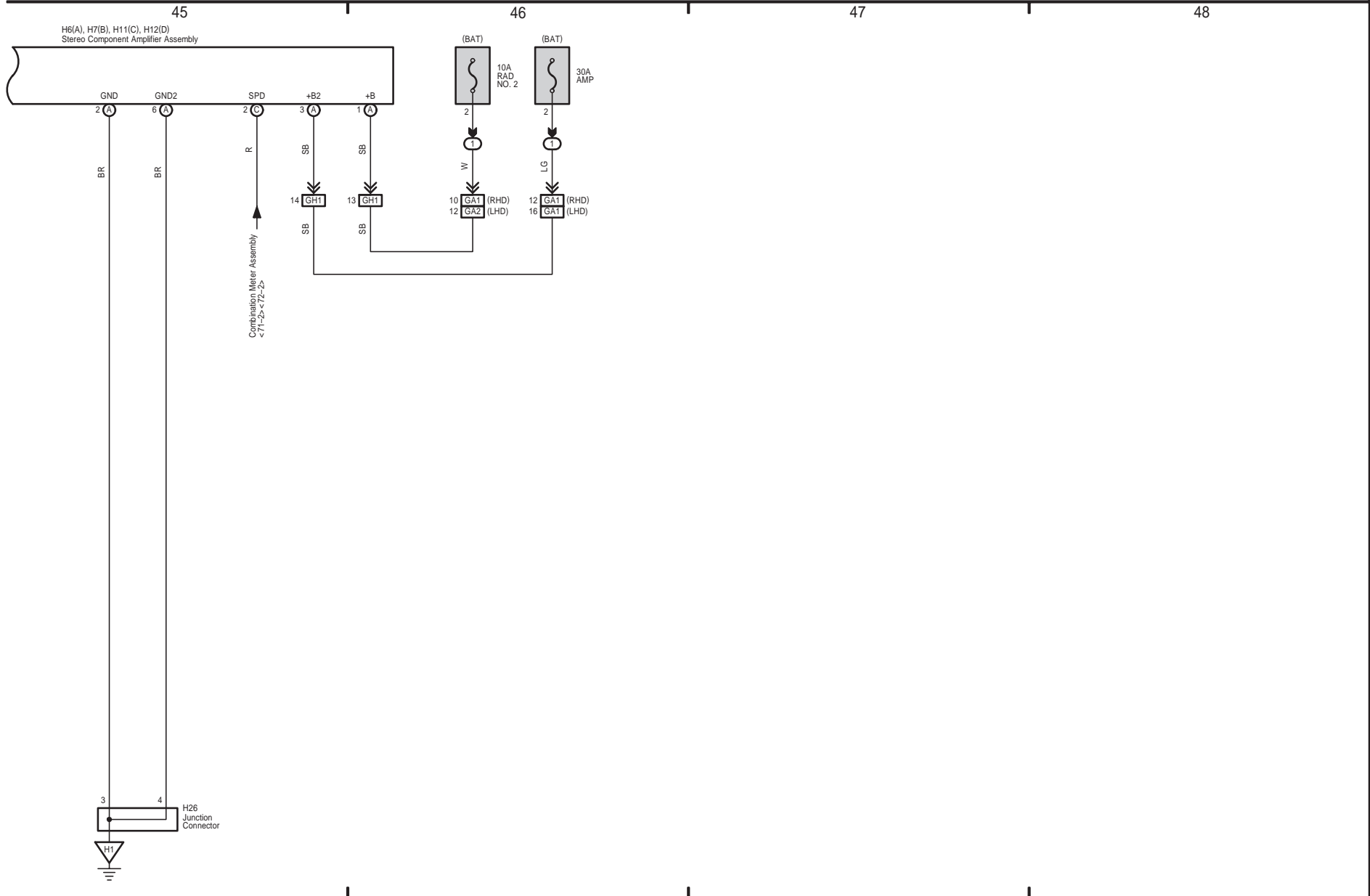
LAND CRUISER / LAND CRUISER PRADO (EM17X1E)

M OVERALL ELECTRICAL WIRING DIAGRAM



68 LAND CRUISER / LAND CRUISER PRADO (Cont' d)

Audio System (w/ Navigation System), Navigation System, Multi-Terrain Monitor (w/ Navigation System),
 Parking Assist (Back Guide Monitor / Rear View Monitor and Wide-View Front & Side Monitor) (w/ Navigation System)
 and Parking Assist (TOYOTA Parking Assist-Sensor) (8 Sensor Type w/ Navigation System)



LAND CRUISER / LAND CRUISER PRADO (EM17X1E)