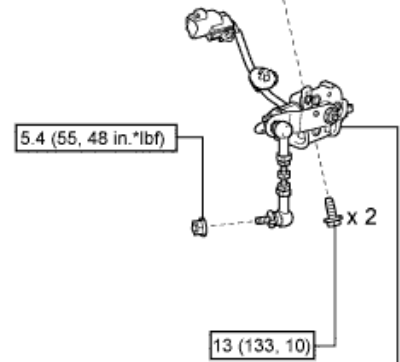
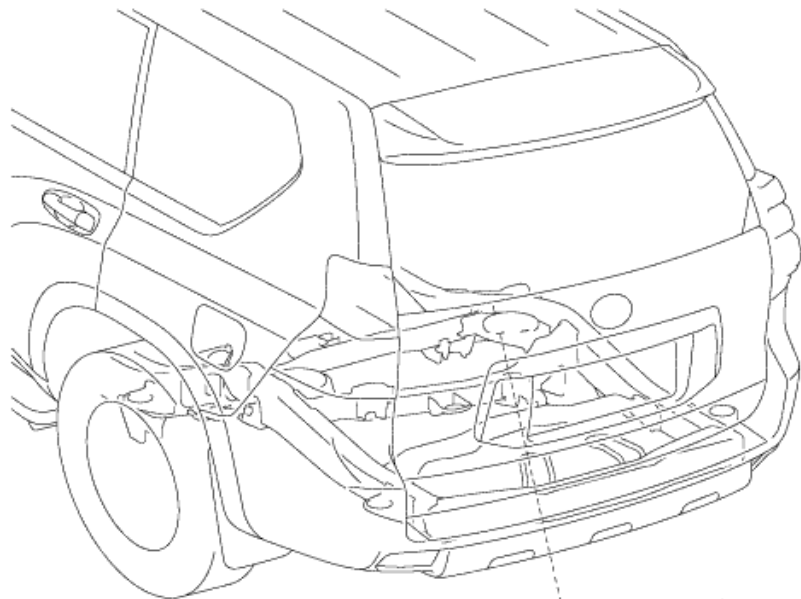


HEIGHT CONTROL SENSOR > COMPONENTS

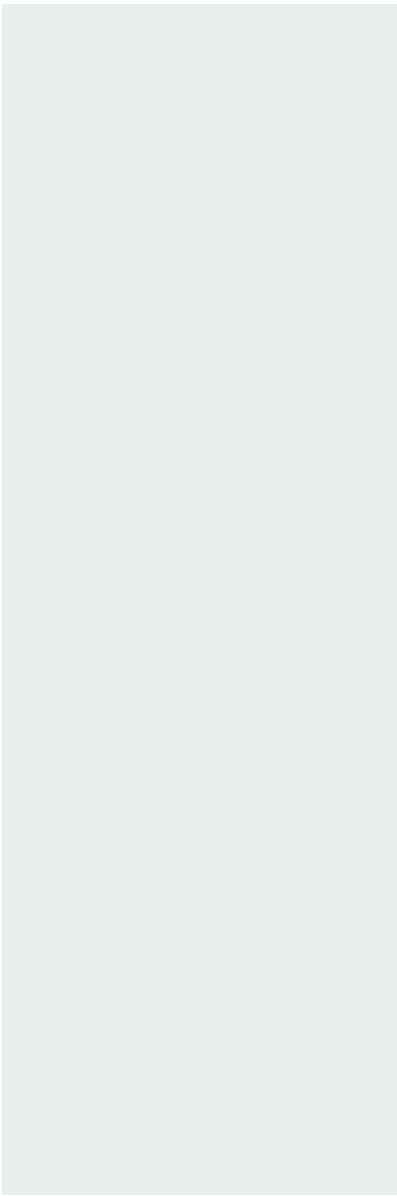
**HEIGHT CONTROL
SENSOR >
COMPONENTS**

for Preparation [Click here](#)



N*m (kgf*cm, ft.*lbf) : Specified torque

H



HEIGHT CONTROL SENSOR > REMOVAL

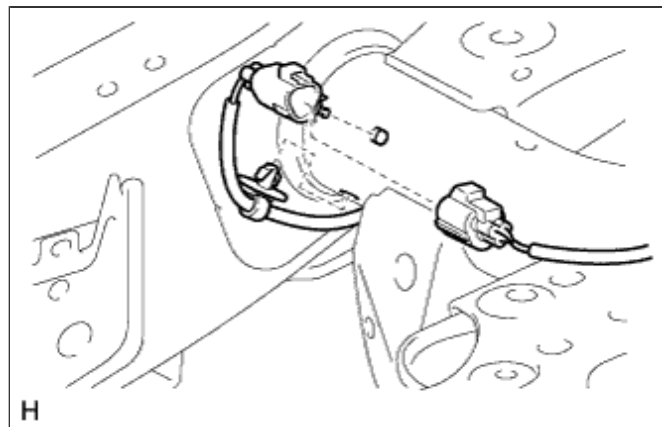
1. REMOVE REAR HEIGHT CONTROL SENSOR SUB-ASSEMBLY RH

HEIGHT CONTROL SENSOR > REMOVAL

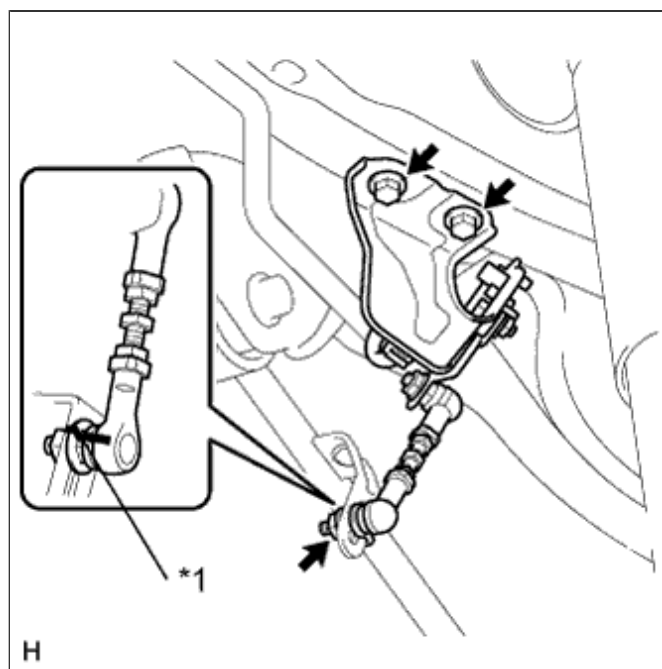
for Preparation [Click here](#)

1. REMOVE REAR HEIGHT CONTROL SENSOR SUB-ASSEMBLY RH

- a. Disconnect the connector, and then detach the connector.
- b. Detach the clamp.



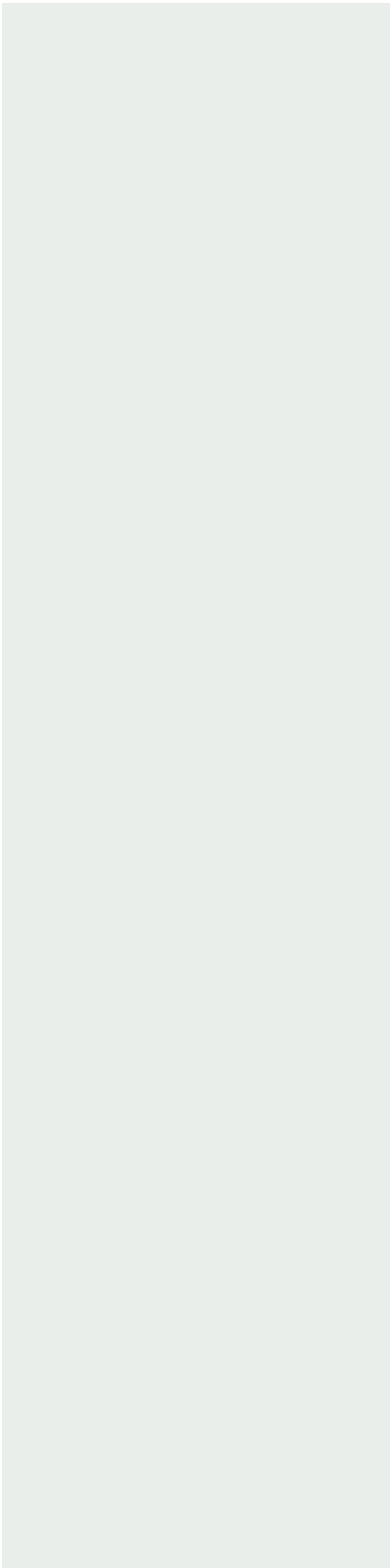
- c. Put matchmarks on the height control sensor.
- d. Remove the nut and disconnect the sensor link.



Text in Illustration

*1 Matchmarks

- e. Remove the 2 bolts and height control sensor.



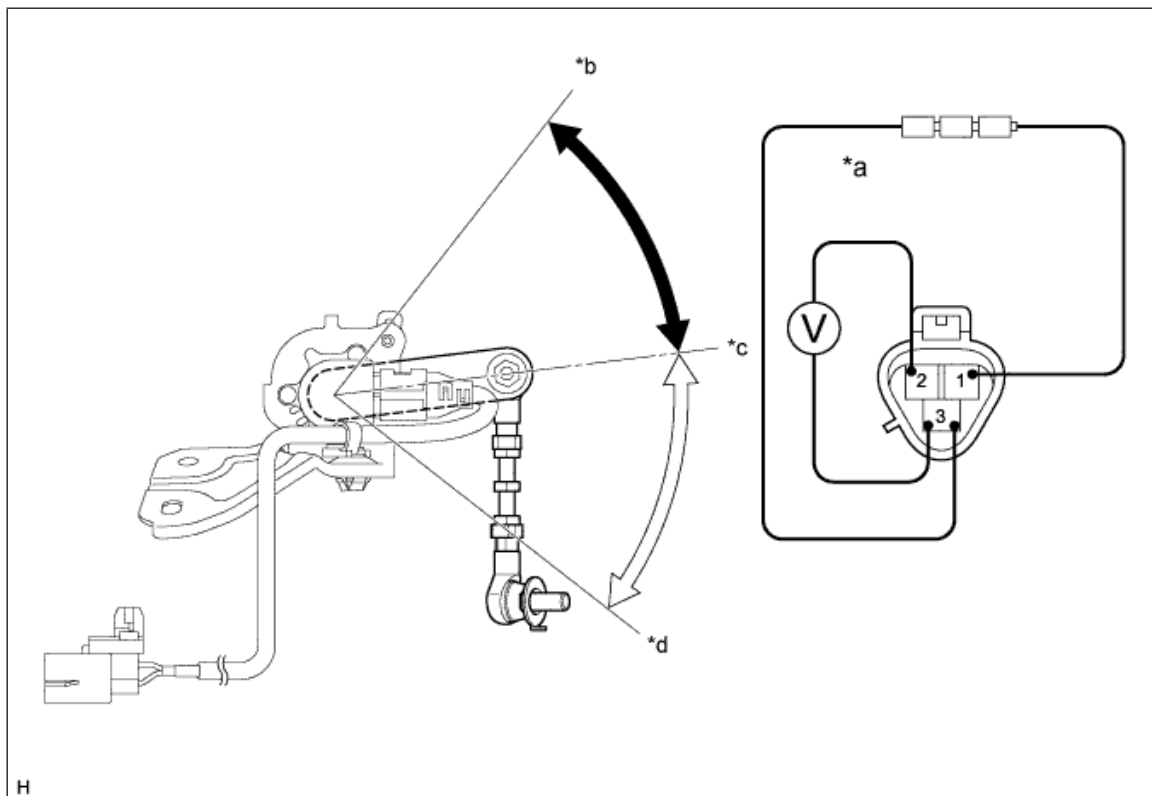
HEIGHT CONTROL SENSOR > INSPECTION

HEIGHT CONTROL SENSOR > INSPECTION

for Preparation [Click here](#)

1. INSPECT REAR HEIGHT CONTROL SENSOR SUB-ASSEMBLY

- 1. INSPECT REAR HEIGHT CONTROL SENSOR SUB-ASSEMBLY



Text in Illustration

*a	Component without harness connected (Rear Height Control Sensor)	*b	Min. Low
*c	Normal	*d	Max. High
	45°		45°

- a. Connect 3 dry batteries of 1.5 V in series.
- b. Connect the positive (+) end of the batteries to terminal 3 (SHB) of the height control sensor and the negative (-) end of the batteries to terminal 1 (SHG). While slowly moving the sensor link up and down, measure the voltage between terminal 2 (SHRR) and terminal 1 (SHG).
- c. Measure the voltage according to the value(s) in the table below.

Standard Voltage:

Tester Connection	Condition	Specified Condition

1 (SHG) - 2 (SHRR)	Max. high (45°)	4.4 to 4.6 V
	Normal (0°)	2.3 to 2.6 V
	Min. low (-45°)	0.4 to 0.6 V

NOTICE:

Do not apply a voltage of 5 V or higher.

If the result is not as specified, replace the rear height control sensor sub-assembly.

HEIGHT CONTROL SENSOR > INSTALLATION

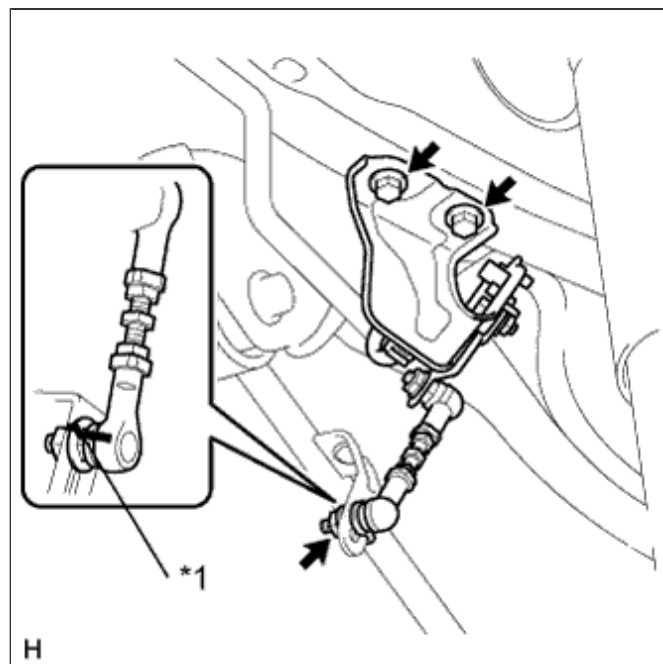
HEIGHT CONTROL SENSOR > INSTALLATION

for Preparation [Click here](#)

1. INSTALL REAR HEIGHT CONTROL SENSOR SUB-ASSEMBLY RH

1. INSTALL REAR HEIGHT CONTROL SENSOR SUB-ASSEMBLY RH

- a. Install the height control sensor with the 2 bolts.



Text in Illustration

*1	Matchmarks
----	------------

Torque:

13 N*m { 133 kgf*cm , 10 ft.*lbf }

- b. Align the matchmarks on the link and bracket.
- c. Connect the sensor link with the nut.

Torque:

5.4 N*m { 55 kgf*cm , 48 in.*lbf }

- d. Attach the sensor connector, and then connect the connector.
- e. Attach the clamp.

