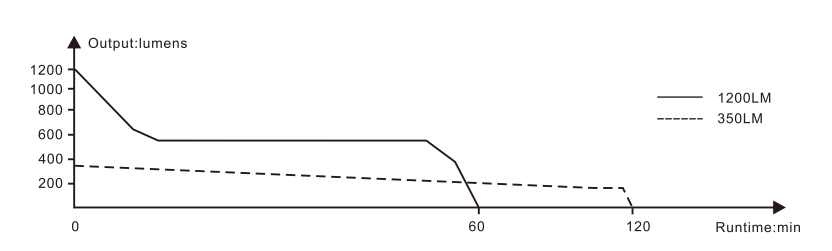
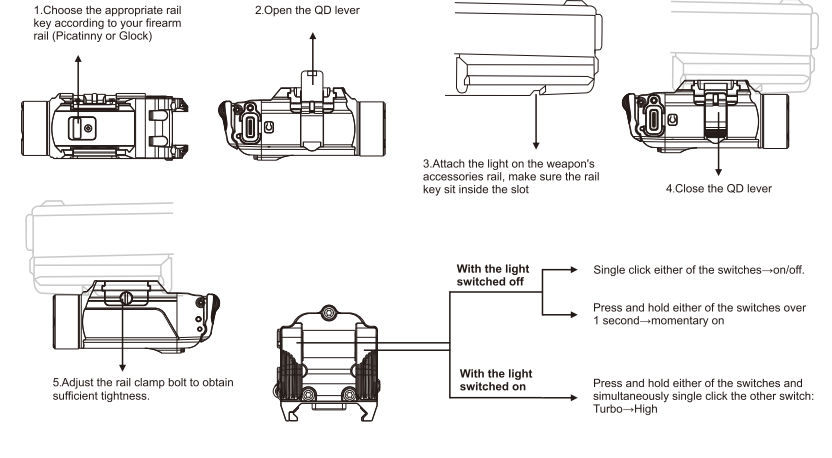


61.149.221.040 GL19R说明书

八国语言说明书/105G铜版纸/单黑双面印刷/风琴折5折再4折90*225mm/A1



Output lumens vs Runtime min graph showing 1200LM and 350LM outputs.

TECHNICAL PARAMETERS				
ANSIPLATO FL1	TURBO	HIGH	STROBE	
2% Polencia	1200 lumens	350 lumens	1200 lumens	
Autonomia	1 hora*	2 horas	/	
Distancia	210 metros	110 metros	/	
Intensidad	11000 candela	3000 candela	/	
Resistencia	1 metro	/	/	
Subsistencia	IP68	/	/	

IMPORTANT WARNINGS
FAILURE TO READ AND FOLLOW THESE OPERATING INSTRUCTIONS AND WARNINGS WHEN HANDLING A FIREARM OR THE QD CAN BE DANGEROUS AND CAN RESULT IN SERIOUS INJURY, DAMAGE TO PROPERTY, OR DEATH.

FLASHLIGHT MOUNTING/REMOVAL
MAKE SURE THAT THE FIREARM IS UNLOADED AND THE BREECH IS OPEN... FAILURE TO READ AND FOLLOW THESE OPERATING INSTRUCTIONS AND WARNINGS WHEN HANDLING A FIREARM OR THE QD CAN BE DANGEROUS AND CAN RESULT IN SERIOUS INJURY, DAMAGE TO PROPERTY, OR DEATH.

OPERATING INSTRUCTION
Hold Caution: The GL19R features a powerful beam. When operated for a while, it will get considerably hot. This is normal and safe.

BATTERY SPECIFICATIONS				
Type	Dimensions	Nominal Voltage	Usability	
Fenix ARB-L18-110P	18530	3.6V	Recomendado	

BATTERY REPLACEMENT
Uncover the light head to access the battery with the aridole side (+) towards the light head, then screw the light head back on.

BATTERY SPECIFICATIONS				
Type	Dimensions	Nominal Voltage	Usability	
Fenix ARB-L18-110P	18530	3.6V	Recomendado	

USAGE AND MAINTENANCE
IT IS IMPERATIVE THAT SAFETY MEASURES BE EMPLOYED AT ALL TIMES... FAILURE TO READ AND FOLLOW THESE OPERATING INSTRUCTIONS AND WARNINGS WHEN HANDLING A FIREARM OR THE QD CAN BE DANGEROUS AND CAN RESULT IN SERIOUS INJURY, DAMAGE TO PROPERTY, OR DEATH.

WARNING
The flashlight is a high-intensity lighting device capable of causing eye damage to people who are exposed to the beam.

USE AND MAINTENANCE
IT IS IMPERATIVE THAT SAFETY MEASURES BE EMPLOYED AT ALL TIMES... FAILURE TO READ AND FOLLOW THESE OPERATING INSTRUCTIONS AND WARNINGS WHEN HANDLING A FIREARM OR THE QD CAN BE DANGEROUS AND CAN RESULT IN SERIOUS INJURY, DAMAGE TO PROPERTY, OR DEATH.

WARNING
The flashlight is a high-intensity lighting device capable of causing eye damage to people who are exposed to the beam.

USE AND MAINTENANCE
IT IS IMPERATIVE THAT SAFETY MEASURES BE EMPLOYED AT ALL TIMES... FAILURE TO READ AND FOLLOW THESE OPERATING INSTRUCTIONS AND WARNINGS WHEN HANDLING A FIREARM OR THE QD CAN BE DANGEROUS AND CAN RESULT IN SERIOUS INJURY, DAMAGE TO PROPERTY, OR DEATH.

WARNING
The flashlight is a high-intensity lighting device capable of causing eye damage to people who are exposed to the beam.

USE AND MAINTENANCE
IT IS IMPERATIVE THAT SAFETY MEASURES BE EMPLOYED AT ALL TIMES... FAILURE TO READ AND FOLLOW THESE OPERATING INSTRUCTIONS AND WARNINGS WHEN HANDLING A FIREARM OR THE QD CAN BE DANGEROUS AND CAN RESULT IN SERIOUS INJURY, DAMAGE TO PROPERTY, OR DEATH.

WARNING
The flashlight is a high-intensity lighting device capable of causing eye damage to people who are exposed to the beam.

USE AND MAINTENANCE
IT IS IMPERATIVE THAT SAFETY MEASURES BE EMPLOYED AT ALL TIMES... FAILURE TO READ AND FOLLOW THESE OPERATING INSTRUCTIONS AND WARNINGS WHEN HANDLING A FIREARM OR THE QD CAN BE DANGEROUS AND CAN RESULT IN SERIOUS INJURY, DAMAGE TO PROPERTY, OR DEATH.

WARNING
The flashlight is a high-intensity lighting device capable of causing eye damage to people who are exposed to the beam.

USE AND MAINTENANCE
IT IS IMPERATIVE THAT SAFETY MEASURES BE EMPLOYED AT ALL TIMES... FAILURE TO READ AND FOLLOW THESE OPERATING INSTRUCTIONS AND WARNINGS WHEN HANDLING A FIREARM OR THE QD CAN BE DANGEROUS AND CAN RESULT IN SERIOUS INJURY, DAMAGE TO PROPERTY, OR DEATH.

WARNING
The flashlight is a high-intensity lighting device capable of causing eye damage to people who are exposed to the beam.

USE AND MAINTENANCE
IT IS IMPERATIVE THAT SAFETY MEASURES BE EMPLOYED AT ALL TIMES... FAILURE TO READ AND FOLLOW THESE OPERATING INSTRUCTIONS AND WARNINGS WHEN HANDLING A FIREARM OR THE QD CAN BE DANGEROUS AND CAN RESULT IN SERIOUS INJURY, DAMAGE TO PROPERTY, OR DEATH.

WARNING
The flashlight is a high-intensity lighting device capable of causing eye damage to people who are exposed to the beam.

USE AND MAINTENANCE
IT IS IMPERATIVE THAT SAFETY MEASURES BE EMPLOYED AT ALL TIMES... FAILURE TO READ AND FOLLOW THESE OPERATING INSTRUCTIONS AND WARNINGS WHEN HANDLING A FIREARM OR THE QD CAN BE DANGEROUS AND CAN RESULT IN SERIOUS INJURY, DAMAGE TO PROPERTY, OR DEATH.

WARNING
The flashlight is a high-intensity lighting device capable of causing eye damage to people who are exposed to the beam.

USE AND MAINTENANCE
IT IS IMPERATIVE THAT SAFETY MEASURES BE EMPLOYED AT ALL TIMES... FAILURE TO READ AND FOLLOW THESE OPERATING INSTRUCTIONS AND WARNINGS WHEN HANDLING A FIREARM OR THE QD CAN BE DANGEROUS AND CAN RESULT IN SERIOUS INJURY, DAMAGE TO PROPERTY, OR DEATH.

WARNING
The flashlight is a high-intensity lighting device capable of causing eye damage to people who are exposed to the beam.

USE AND MAINTENANCE
IT IS IMPERATIVE THAT SAFETY MEASURES BE EMPLOYED AT ALL TIMES... FAILURE TO READ AND FOLLOW THESE OPERATING INSTRUCTIONS AND WARNINGS WHEN HANDLING A FIREARM OR THE QD CAN BE DANGEROUS AND CAN RESULT IN SERIOUS INJURY, DAMAGE TO PROPERTY, OR DEATH.

WARNING
The flashlight is a high-intensity lighting device capable of causing eye damage to people who are exposed to the beam.

USE AND MAINTENANCE
IT IS IMPERATIVE THAT SAFETY MEASURES BE EMPLOYED AT ALL TIMES... FAILURE TO READ AND FOLLOW THESE OPERATING INSTRUCTIONS AND WARNINGS WHEN HANDLING A FIREARM OR THE QD CAN BE DANGEROUS AND CAN RESULT IN SERIOUS INJURY, DAMAGE TO PROPERTY, OR DEATH.

WARNING
The flashlight is a high-intensity lighting device capable of causing eye damage to people who are exposed to the beam.

USE AND MAINTENANCE
IT IS IMPERATIVE THAT SAFETY MEASURES BE EMPLOYED AT ALL TIMES... FAILURE TO READ AND FOLLOW THESE OPERATING INSTRUCTIONS AND WARNINGS WHEN HANDLING A FIREARM OR THE QD CAN BE DANGEROUS AND CAN RESULT IN SERIOUS INJURY, DAMAGE TO PROPERTY, OR DEATH.

WARNING
The flashlight is a high-intensity lighting device capable of causing eye damage to people who are exposed to the beam.

USE AND MAINTENANCE
IT IS IMPERATIVE THAT SAFETY MEASURES BE EMPLOYED AT ALL TIMES... FAILURE TO READ AND FOLLOW THESE OPERATING INSTRUCTIONS AND WARNINGS WHEN HANDLING A FIREARM OR THE QD CAN BE DANGEROUS AND CAN RESULT IN SERIOUS INJURY, DAMAGE TO PROPERTY, OR DEATH.

WARNING
The flashlight is a high-intensity lighting device capable of causing eye damage to people who are exposed to the beam.

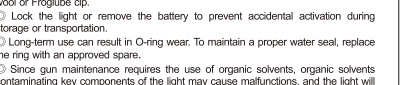
USE AND MAINTENANCE
IT IS IMPERATIVE THAT SAFETY MEASURES BE EMPLOYED AT ALL TIMES... FAILURE TO READ AND FOLLOW THESE OPERATING INSTRUCTIONS AND WARNINGS WHEN HANDLING A FIREARM OR THE QD CAN BE DANGEROUS AND CAN RESULT IN SERIOUS INJURY, DAMAGE TO PROPERTY, OR DEATH.



FACEBOOK WECHAT
Follow us for more information about Fenix.

FENIXLIGHT LIMITED
Tel: +86-755-29631163/8303 Fax: +86-755-29631161
Email: fenix@fenixlight.com Web: www.fenixlight.com

Address: 2976F, West of Building A, Kinghong Technology Park, 111 Shukou Road, Fenghuangshan Community, Shuangyuan Street, Bao'an District, Shenzhen City, Guangdong Province, China.



61.149.221.040-A1-2021229

don't scratch and never hit, never drop, damage to property, or death.

Through precise engineering and testing conditions with the GL19R and from before using the product in a tactical situation.

The flashlight is a high-intensity lighting device capable of causing eye damage to people who are exposed to the beam.

USE AND MAINTENANCE
IT IS IMPERATIVE THAT SAFETY MEASURES BE EMPLOYED AT ALL TIMES... FAILURE TO READ AND FOLLOW THESE OPERATING INSTRUCTIONS AND WARNINGS WHEN HANDLING A FIREARM OR THE QD CAN BE DANGEROUS AND CAN RESULT IN SERIOUS INJURY, DAMAGE TO PROPERTY, OR DEATH.

WARNING
The flashlight is a high-intensity lighting device capable of causing eye damage to people who are exposed to the beam.

USE AND MAINTENANCE
IT IS IMPERATIVE THAT SAFETY MEASURES BE EMPLOYED AT ALL TIMES... FAILURE TO READ AND FOLLOW THESE OPERATING INSTRUCTIONS AND WARNINGS WHEN HANDLING A FIREARM OR THE QD CAN BE DANGEROUS AND CAN RESULT IN SERIOUS INJURY, DAMAGE TO PROPERTY, OR DEATH.

WARNING
The flashlight is a high-intensity lighting device capable of causing eye damage to people who are exposed to the beam.

USE AND MAINTENANCE
IT IS IMPERATIVE THAT SAFETY MEASURES BE EMPLOYED AT ALL TIMES... FAILURE TO READ AND FOLLOW THESE OPERATING INSTRUCTIONS AND WARNINGS WHEN HANDLING A FIREARM OR THE QD CAN BE DANGEROUS AND CAN RESULT IN SERIOUS INJURY, DAMAGE TO PROPERTY, OR DEATH.

WARNING
The flashlight is a high-intensity lighting device capable of causing eye damage to people who are exposed to the beam.

USE AND MAINTENANCE
IT IS IMPERATIVE THAT SAFETY MEASURES BE EMPLOYED AT ALL TIMES... FAILURE TO READ AND FOLLOW THESE OPERATING INSTRUCTIONS AND WARNINGS WHEN HANDLING A FIREARM OR THE QD CAN BE DANGEROUS AND CAN RESULT IN SERIOUS INJURY, DAMAGE TO PROPERTY, OR DEATH.

WARNING
The flashlight is a high-intensity lighting device capable of causing eye damage to people who are exposed to the beam.

USE AND MAINTENANCE
IT IS IMPERATIVE THAT SAFETY MEASURES BE EMPLOYED AT ALL TIMES... FAILURE TO READ AND FOLLOW THESE OPERATING INSTRUCTIONS AND WARNINGS WHEN HANDLING A FIREARM OR THE QD CAN BE DANGEROUS AND CAN RESULT IN SERIOUS INJURY, DAMAGE TO PROPERTY, OR DEATH.

WARNING
The flashlight is a high-intensity lighting device capable of causing eye damage to people who are exposed to the beam.

USE AND MAINTENANCE
IT IS IMPERATIVE THAT SAFETY MEASURES BE EMPLOYED AT ALL TIMES... FAILURE TO READ AND FOLLOW THESE OPERATING INSTRUCTIONS AND WARNINGS WHEN HANDLING A FIREARM OR THE QD CAN BE DANGEROUS AND CAN RESULT IN SERIOUS INJURY, DAMAGE TO PROPERTY, OR DEATH.

WARNING
The flashlight is a high-intensity lighting device capable of causing eye damage to people who are exposed to the beam.

USE AND MAINTENANCE
IT IS IMPERATIVE THAT SAFETY MEASURES BE EMPLOYED AT ALL TIMES... FAILURE TO READ AND FOLLOW THESE OPERATING INSTRUCTIONS AND WARNINGS WHEN HANDLING A FIREARM OR THE QD CAN BE DANGEROUS AND CAN RESULT IN SERIOUS INJURY, DAMAGE TO PROPERTY, OR DEATH.

WARNING
The flashlight is a high-intensity lighting device capable of causing eye damage to people who are exposed to the beam.

USE AND MAINTENANCE
IT IS IMPERATIVE THAT SAFETY MEASURES BE EMPLOYED AT ALL TIMES... FAILURE TO READ AND FOLLOW THESE OPERATING INSTRUCTIONS AND WARNINGS WHEN HANDLING A FIREARM OR THE QD CAN BE DANGEROUS AND CAN RESULT IN SERIOUS INJURY, DAMAGE TO PROPERTY, OR DEATH.

WARNING
The flashlight is a high-intensity lighting device capable of causing eye damage to people who are exposed to the beam.

USE AND MAINTENANCE
IT IS IMPERATIVE THAT SAFETY MEASURES BE EMPLOYED AT ALL TIMES... FAILURE TO READ AND FOLLOW THESE OPERATING INSTRUCTIONS AND WARNINGS WHEN HANDLING A FIREARM OR THE QD CAN BE DANGEROUS AND CAN RESULT IN SERIOUS INJURY, DAMAGE TO PROPERTY, OR DEATH.

WARNING
The flashlight is a high-intensity lighting device capable of causing eye damage to people who are exposed to the beam.

USE AND MAINTENANCE
IT IS IMPERATIVE THAT SAFETY MEASURES BE EMPLOYED AT ALL TIMES... FAILURE TO READ AND FOLLOW THESE OPERATING INSTRUCTIONS AND WARNINGS WHEN HANDLING A FIREARM OR THE QD CAN BE DANGEROUS AND CAN RESULT IN SERIOUS INJURY, DAMAGE TO PROPERTY, OR DEATH.

WARNING
The flashlight is a high-intensity lighting device capable of causing eye damage to people who are exposed to the beam.

USE AND MAINTENANCE
IT IS IMPERATIVE THAT SAFETY MEASURES BE EMPLOYED AT ALL TIMES... FAILURE TO READ AND FOLLOW THESE OPERATING INSTRUCTIONS AND WARNINGS WHEN HANDLING A FIREARM OR THE QD CAN BE DANGEROUS AND CAN RESULT IN SERIOUS INJURY, DAMAGE TO PROPERTY, OR DEATH.

WARNING
The flashlight is a high-intensity lighting device capable of causing eye damage to people who are exposed to the beam.

USE AND MAINTENANCE
IT IS IMPERATIVE THAT SAFETY MEASURES BE EMPLOYED AT ALL TIMES... FAILURE TO READ AND FOLLOW THESE OPERATING INSTRUCTIONS AND WARNINGS WHEN HANDLING A FIREARM OR THE QD CAN BE DANGEROUS AND CAN RESULT IN SERIOUS INJURY, DAMAGE TO PROPERTY, OR DEATH.

WARNING
The flashlight is a high-intensity lighting device capable of causing eye damage to people who are exposed to the beam.

USE AND MAINTENANCE
IT IS IMPERATIVE THAT SAFETY MEASURES BE EMPLOYED AT ALL TIMES... FAILURE TO READ AND FOLLOW THESE OPERATING INSTRUCTIONS AND WARNINGS WHEN HANDLING A FIREARM OR THE QD CAN BE DANGEROUS AND CAN RESULT IN SERIOUS INJURY, DAMAGE TO PROPERTY, OR DEATH.

WARNING
The flashlight is a high-intensity lighting device capable of causing eye damage to people who are exposed to the beam.

USE AND MAINTENANCE
IT IS IMPERATIVE THAT SAFETY MEASURES BE EMPLOYED AT ALL TIMES... FAILURE TO READ AND FOLLOW THESE OPERATING INSTRUCTIONS AND WARNINGS WHEN HANDLING A FIREARM OR THE QD CAN BE DANGEROUS AND CAN RESULT IN SERIOUS INJURY, DAMAGE TO PROPERTY, OR DEATH.

WARNING
The flashlight is a high-intensity lighting device capable of causing eye damage to people who are exposed to the beam.

USE AND MAINTENANCE
IT IS IMPERATIVE THAT SAFETY MEASURES BE EMPLOYED AT ALL TIMES... FAILURE TO READ AND FOLLOW THESE OPERATING INSTRUCTIONS AND WARNINGS WHEN HANDLING A FIREARM OR THE QD CAN BE DANGEROUS AND CAN RESULT IN SERIOUS INJURY, DAMAGE TO PROPERTY, OR DEATH.

PARAMETRES TECHNIQUES				
ANSIPLATO FL1	TURBO	FORT	STROBE	
2% Puissance	1200 lumens	350 lumens	1200 lumens	
Autonomie	1 heure*	2 heures	/	
Portée	210 mètres	110 mètres	/	
Intensité	11000 candela	3000 candela	/	
Résistance	1 mètre	/	/	
Subsistance	IP68	/	/	

RECHARGEMENT
1. Ejectez le tamis et connectez le câble USB pour réviser le point de charge... 2. Connectez le câble USB à un ordinateur ou à un chargeur de batterie.

INDICATEUR DU NIVEAU DE LA BATTERIE
Changez le mode de la batterie en appuyant sur le bouton de la batterie pendant 3 secondes.

PROTECTION INTELLIGENTE CONTRE LE SURCHAUFFEMENT
Le temps va générer une chaleur inévitable lorsque le mode Turbo est allumé pendant de longues périodes.

INDICATION DE BASSE TENSION
Lorsque le niveau de tension descend en dessous du niveau prédéfini, le temps de pointe est programmé pour interrompre à la fois le mode de luminosité élevée et le mode Turbo.

CARACTÉRISTIQUES DES BATTERIES				
Type	Dimensions	Voltage	Emploi	
Fenix ARB-L18-110P	18530	3.6V	Recomendado	

REPLACEMENT DES BATTERIES
Uncover the light head to access the battery with the aridole side (+) towards the light head, then screw the light head back on.

PARAMETRES TÉCNICOS				
ANSIPLATO FL1	TURBO	HIGH	STROBE	
2% Potencia	1200 lumens	350 lumens	1200 lumens	
Autonomia	1 hora*	2 horas	/	
Distancia	210 metros	110 metros	/	
Intensidad	11000 candela	3000 candela	/	
Resistencia	1 metro	/	/	
Subsistencia	IP68	/	/	

ADVERTENCIAS IMPORTANTES
FAILURE TO READ AND FOLLOW THESE OPERATING INSTRUCTIONS AND WARNINGS WHEN HANDLING A FIREARM OR THE QD CAN BE DANGEROUS AND CAN RESULT IN SERIOUS INJURY, DAMAGE TO PROPERTY, OR DEATH.

DESAMONTAJE/DESAMONTAJE DE LINTERNA
Uncover the light head to access the battery with the aridole side (+) towards the light head, then screw the light head back on.

INSTRUCCIONES DE OPERACIÓN
Hold Caution: The GL19R features a powerful beam. When operated for a while, it will get considerably hot. This is normal and safe.

ESPECIFICACIONES DE BATERIAS				
Type	Dimensions	Nominal Voltage	Usability	
Fenix ARB-L18-110P	18530	3.6V	Recomendada	

REEMPLAZO DE BATERIA
Uncover the light head to access the battery with the aridole side (+) towards the light head, then screw the light head back on.

ESPECIFICACIONES DE BATERIAS				
Type	Dimensions	Nominal Voltage	Usability	
Fenix ARB-L18-110P	18530	3.6V	Recomendada	

REEMPLAZO DE BATERIA
Uncover the light head to access the battery with the aridole side (+) towards the light head, then screw the light head back on.

REEMPLAZO DE BATERIA
Uncover the light head to access the battery with the aridole side (+) towards the light head, then screw the light head back on.

TECNICHE CARATTERISTICHE				
ANSIPLATO FL1	TURBO	HIGH	STROBE	
2% Potenza	1200 lumens	350 lumens	1200 lumens	
Autonomia	1 ora*	2 ore	/	
Portata	210 metri	110 metri	/	
Intensità	11000 cd	3000 cd	/	
Resistenza	1 metro	/	/	
Subsistenza	IP68	/	/	

INDICAZIONE URGENTE ZARADA AKKUMULYATORA
Quando il livello di carica per il design di alto prestazioni, la batteria sarà programmata per interrompere sia il modo di luminosità elevata che il modo Turbo.

INTELLEKTUAL'NAYA ZASHCHITA OT PEREGREVA
Quando il livello di carica per il design di alto prestazioni, la batteria sarà programmata per interrompere sia il modo di luminosità elevata che il modo Turbo.

PRELUDHENIE O NIZKOM NAPRYAZHENII
Quando il livello di carica per il design di alto prestazioni, la batteria sarà programmata per interrompere sia il modo di luminosità elevata che il modo Turbo.

ХАРАКТЕРИСТИКИ ИСТОЧНИКА ПИТАНИЯ				
Тип	Размер	Номинальное напряжение	Использование	
Fenix ARB-L18-110P	18530	3.6V	Рекомендовано	

УСТАНОВКА/СНЯТИЕ БАТАРЕИ
Uncover the light head to access the battery with the aridole side (+) towards the light head, then screw the light head back on.

ХАРАКТЕРИСТИКИ ИСТОЧНИКА ПИТАНИЯ				
Тип	Размер	Номинальное напряжение	Использование	
Fenix ARB-L18-110P	18530	3.6V	Рекомендовано	

ЗАРЯДКА
Uncover the light head to access the battery with the aridole side (+) towards the light head, then screw the light head back on.

ЗАРЯДКА
Uncover the light head to access the battery with the aridole side (+) towards the light head, then screw the light head back on.

ЗАРЯДКА
Uncover the light head to access the battery with the aridole side (+) towards the light head, then screw the light head back on.

ЗАРЯДКА
Uncover the light head to access the battery with the aridole side (+) towards the light head, then screw the light head back on.

ЗАРЯДКА
Uncover the light head to access the battery with the aridole side (+) towards the light head, then screw the light head back on.

ЗАРЯДКА
Uncover the light head to access the battery with the aridole side (+) towards the light head, then screw the light head back on.

ЗАРЯДКА
Uncover the light head to access the battery with the aridole side (+) towards the light head, then screw the light head back on.

ЗАРЯДКА
Uncover the light head to access the battery with the aridole side (+) towards the light head, then screw the light head back on.

ЗАРЯДКА
Uncover the light head to access the battery with the aridole side (+) towards the light head, then screw the light head back on.

ЗАРЯДКА
Uncover the light head to access the battery with the aridole side (+) towards the light head, then screw the light head back on.

ЗАРЯДКА
Uncover the light head to access the battery with the aridole side (+) towards the light head, then screw the light head back on.

ЗАРЯДКА
Uncover the light head to access the battery with the aridole side (+) towards the light head, then screw the light head back on.

ЗАРЯДКА
Uncover the light head to access the battery with the aridole side (+) towards the light head, then screw the light head back on.

ЗАРЯДКА
Uncover the light head to access the battery with the aridole side (+) towards the light head, then screw the light head back on.

ЗАРЯДКА
Uncover the light head to access the battery with the aridole side (+) towards the light head, then screw the light head back on.

ЗАРЯДКА
Uncover the light head to access the battery with the aridole side (+) towards the light head, then screw the light head back on.

ЗАРЯДКА
Uncover the light head to access the battery with the aridole side (+) towards the light head, then screw the light head back on.

ЗАРЯДКА
Uncover the light head to access the battery with the aridole side (+) towards the light head, then screw the light head back on.

ЗАРЯДКА
Uncover the light head to access the battery with the aridole side (+) towards the light head, then screw the light head back on.

ЗАРЯДКА
Uncover the light head to access the battery with the aridole side (+) towards the light head, then screw the light head back on.

ЗАРЯДКА
Uncover the light head to access the battery with the aridole side (+) towards the light head, then screw the light head back on.

PARAMETRES TECHNIQUES				
ANSIPLATO FL1	TURBO	FORT	STROBE	
2% Puissance	1200 lumens	350 lumens	1200 lumens	
Autonomie	1 heure*	2 heures	/	
Portée	210 mètres	110 mètres	/	
Intensité	11000 candela	3000 candela	/	
Résistance	1 mètre	/	/	
Subsistance	IP68	/	/	

RECHARGEMENT
1. Ejectez le tamis et connectez le câble USB pour réviser le point de charge... 2. Connectez le câble USB à un ordinateur ou à un chargeur de batterie.

INDICATEUR DU NIVEAU DE LA BATTERIE
Changez le mode de la batterie en appuyant sur le bouton de la batterie pendant 3 secondes.

PROTECTION INTELLIGENTE CONTRE LE SURCHAUFFEMENT
Le temps va générer une chaleur inévitable lorsque le mode Turbo est allumé pendant de longues périodes.

INDICATION DE BASSE TENSION
Lorsque le niveau de tension descend en dessous du niveau prédéfini, le temps de pointe est programmé pour interrompre à la fois le mode de luminosité élevée et le mode Turbo.

CARACTÉRISTIQUES DES BATTERIES				
Type	Dimensions	Voltage	Emploi	
Fenix ARB-L18-110P	18530	3.6V	Recomendado	

REPLACEMENT DES BATTERIES
Uncover the light head to access the battery with the aridole side (+) towards the light head, then screw the light head back on.

PARAMETRES TÉCNICOS				
ANSIPLATO FL1	TURBO	HIGH	STROBE	
2% Potencia	1200 lumens	350 lumens	1200 lumens	
Autonomia	1 hora*	2 horas	/	
Distancia	210 metros	110 metros	/	
Intensidad	11000 candela	3000 candela	/	
Resistencia	1 metro	/	/	
Subsistencia	IP68	/	/	