

SUSPENSION CONTROL SYSTEM (w/ Air Suspension) > ON-VEHICLE INSPECTION

SUSPENSION CONTROL SYSTEM (w/ Air Suspension) > ON-VEHICLE INSPECTION

for Preparation [Click here](#)

1. INSPECT TIRES

- a. Check the tires for wear and proper inflation pressure.

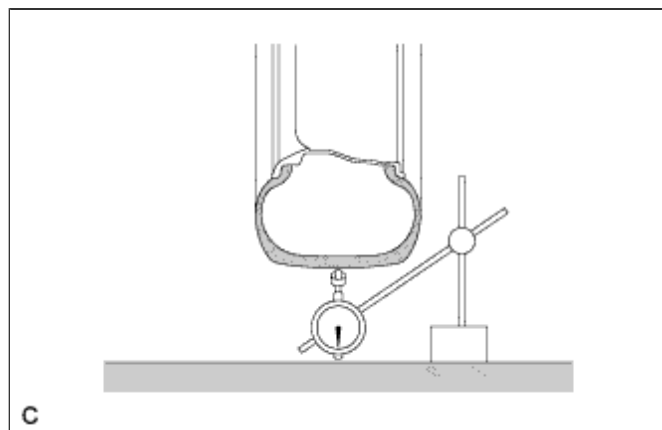
Cold Tire Inflation Pressure (Unloaded Vehicle)::

Area	Tire Size	Front kPa (kgf/cm ² , psi)	Rear kPa (kgf/cm ² , psi)
Europe	245/70R17 110S	220 (2.2, 32)	220 (2.2, 32)
	265/65R17 112S	220 (2.2, 32)	220 (2.2, 32)
	265/60R18 110H	220 (2.2, 32)	220 (2.2, 32)
Eastern Europe and Russia	245/70R17 110S	200 (2.0, 29)	200 (2.0, 29)
	265/65R17 112S	200 (2.0, 29)	200 (2.0, 29)
	265/60R18 110H	200 (2.0, 29)	200 (2.0, 29)
General Export Australia G.C.C.	245/70R17 110S	200 (2.0, 29)	200 (2.0, 29)
	265/65R17 112S	200 (2.0, 29)	200 (2.0, 29)
	265/60R18 110H	200 (2.0, 29)	200 (2.0, 29)

1. INSPECT TIRES
2. ADJUST STANDARD VEHICLE HEIGHT
3. INSPECT VEHICLE HEIGHT
4. INSPECT VEHICLE HEIGHT SELECTION
5. ADJUST VEHICLE HEIGHT

- b. Using a dial indicator, check the tire runout.

**Standard tire runout:
3.0 mm (0.118 in.)
or less**



C

2. ADJUST STANDARD VEHICLE HEIGHT

- a. Release the parking brake and stabilize the suspension by bouncing the corners of the vehicle.
- b. With the shift lever in N, settle the tires by moving the vehicle back and forth.
- c. Start the engine.
- d. Operate the height control switch to raise and then lower the vehicle height. Perform this operation twice.

NOTICE:

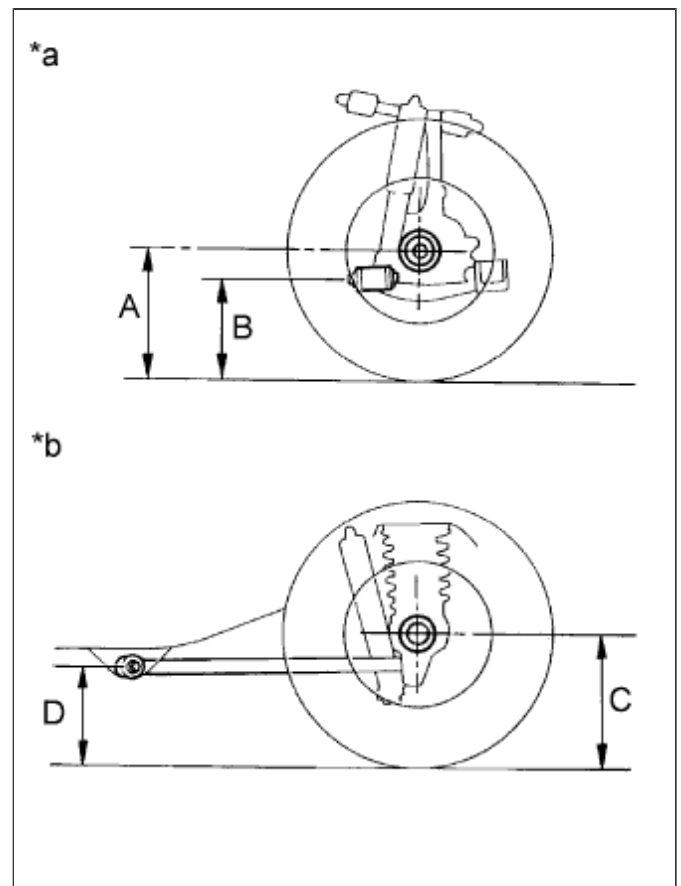
Be sure to release the parking brake and move the shift lever to N.

3. INSPECT VEHICLE HEIGHT

NOTICE:

Before inspecting the wheel alignment, adjust the vehicle height to the specification.

- a. Press down on the vehicle several times to stabilize the suspension, and then measure the vehicle height.



Text in Illustration

*a	Front Side
----	------------

*b Rear Side

Standard Vehicle Height (Unloaded Vehicle):

Vehicle Model	Grade	Seating Capacity	Item	Front (A - B)	Rear (C - D)
KDJ150L-GKAEY	TX	5 - Seater	-	76.2 mm (3.00 in.)	54.3 mm (2.14 in.)
			for Double Tank Type	75.3 mm (2.96 in.)	56.5 mm (2.22 in.)
		7 - Seater	-	77.3 mm (3.04 in.)	55.5 mm (2.19 in.)
			for Double Tank Type	76.4 mm (3.01 in.)	57.5 mm (2.26 in.)
		9 - Seater	-	76.2 mm (3.00 in.)	53.8 mm (2.19 in.)
			for Double Tank Type	75.3 mm (2.96 in.)	55.8 mm (2.20 in.)
	TXL	5 - Seater	-	75.2 mm (2.96 in.)	55.5 mm (2.19 in.)
			for Double Tank Type	74.3 mm (2.93 in.)	57.6 mm (2.27 in.)
		7 - Seater	-	76.3 mm (3.00 in.)	56.6 mm (2.23 in.)
			for Double Tank Type	75.3 mm (2.96 in.)	58.5 mm (2.30 in.)
		9 - Seater	-	75.2 mm (2.96 in.)	54.9 mm (2.16 in.)
			for Double Tank Type	74.3 mm (2.93 in.)	56.9 mm (2.24 in.)
	VX	5 - Seater	-	82.5 mm (3.25 in.)	58.0 mm (2.28 in.)
			for Double Tank Type	81.6 mm (3.21 in.)	59.9 mm (2.36 in.)
		7 - Seater	-	83.5 mm (3.29 in.)	58.9 mm (2.32 in.)
			for Double Tank Type	82.7 mm (3.26 in.)	59.9 mm (2.36 in.)
	VXL	7 - Seater	-	82.2 mm (3.24 in.)	66.6 mm (2.62 in.)
			for Double Tank Type	81.5 mm (3.21 in.)	66.2 mm (2.61 in.)
	TX	5 - Seater	-	75.0 mm (2.95 in.)	54.0 mm (2.13 in.)
			for Double Tank Type	74.1 mm (2.92 in.)	56.2 mm (2.21 in.)
		7 - Seater	-	76.1 mm (3.00 in.)	55.2 mm (2.17 in.)
			for Double Tank Type	75.2 mm (2.96 in.)	57.3 mm (2.26 in.)

KDJ150L- GKFEY	TXL	9 - Seater	-	75.0 mm (2.95 in.)	53.4 mm (2.10 in.)
			for Double Tank Type	74.0 mm (2.91 in.)	55.5 mm (2.19 in.)
		5 - Seater	-	76.1 mm (3.00 in.)	55.4 mm (2.18 in.)
			for Double Tank Type	75.2 mm (2.96 in.)	57.5 mm (2.26 in.)
		7 - Seater	-	76.0 mm (2.99 in.)	56.2 mm (2.21 in.)
			for Double Tank Type	75.0 mm (2.95 in.)	58.1 mm (2.29 in.)
	9 - Seater	-	76.1 mm (3.00 in.)	54.7 mm (2.15 in.)	
		for Double Tank Type	75.2 mm (2.96 in.)	56.8 mm (2.24 in.)	
	VX	5 - Seater	-	81.3 mm (3.20 in.)	57.2 mm (2.25 in.)
			for Double Tank Type	80.4 mm (3.17 in.)	59.2 mm (2.33 in.)
		7 - Seater	-	82.4 mm (3.24 in.)	58.2 mm (2.29 in.)
			for Double Tank Type	81.6 mm (3.21 in.)	59.1 mm (2.33 in.)
VXL	7 - Seater	-	81.0 mm (3.19 in.)	66.3 mm (2.61 in.)	
		for Double Tank Type	80.3 mm (3.16 in.)	65.9 mm (2.59 in.)	
KDJ150R- GKAey	TX	5 - Seater	-	77.2 mm (3.04 in.)	54.5 mm (2.15 in.)
			for Double Tank Type	76.3 mm (3.00 in.)	56.7 mm (2.23 in.)
		7 - Seater	-	78.2 mm (3.08 in.)	55.7 mm (2.19 in.)
			for Double Tank Type	77.3 mm (3.04 in.)	57.8 mm (2.28 in.)
		9 - Seater	-	77.2 mm (3.04 in.)	53.9 mm (2.12 in.)
			for Double Tank Type	76.3 mm (3.00 in.)	56.0 mm (2.20 in.)
	TXL	5 - Seater	-	78.2 mm (3.08 in.)	56.4 mm (2.22 in.)
			for Double Tank Type	77.3 mm (3.04 in.)	58.5 mm (2.30 in.)
		7 - Seater	-	79.3 mm (3.12 in.)	57.5 mm (2.26 in.)
			for Double Tank Type	78.3 mm (3.08 in.)	59.4 mm (2.34 in.)
9 - Seater	-	78.2 mm (3.08 in.)	55.7 mm (2.19 in.)		
	for Double	77.3 mm	57.7 mm		

			Tank Type	(3.04 in.)	(2.27 in.)
	VX	5 - Seater	-	82.5 mm (3.25 in.)	58.0 mm (2.28 in.)
			for Double Tank Type	81.6 mm (3.21 in.)	59.9 mm (2.36 in.)
		7 - Seater	-	83.6 mm (3.29 in.)	59.0 mm (2.32 in.)
			for Double Tank Type	82.8 mm (3.26 in.)	59.9 mm (2.36 in.)
	VXL	7 - Seater	-	82.2 mm (3.24 in.)	66.6 mm (2.62 in.)
			for Double Tank Type	81.5 mm (3.21 in.)	66.2 mm (2.61 in.)
KDJ150R- GKFEY	TX	5 - Seater	-	77.9 mm (3.07 in.)	54.6 mm (2.15 in.)
			for Double Tank Type	76.9 mm (3.03 in.)	56.8 mm (2.24 in.)
		7 - Seater	-	78.9 mm (3.11 in.)	55.9 mm (2.20 in.)
			for Double Tank Type	78.0 mm (3.07 in.)	57.8 mm (2.28 in.)
	TXL	5 - Seater	-	74.2 mm (2.92 in.)	55.3 mm (2.18 in.)
			for Double Tank Type	73.3 mm (2.89 in.)	57.4 mm (2.26 in.)
		7 - Seater	-	75.3 mm (2.96 in.)	56.4 mm (2.22 in.)
			for Double Tank Type	74.3 mm (2.93 in.)	58.3 mm (2.30 in.)
	VX	5 - Seater	-	82.5 mm (3.25 in.)	58.0 mm (2.28 in.)
			for Double Tank Type	81.6 mm (3.21 in.)	59.9 mm (2.36 in.)
		7 - Seater	-	83.6 mm (3.29 in.)	59.0 mm (2.32 in.)
			for Double Tank Type	82.8 mm (3.26 in.)	59.9 mm (2.36 in.)
	VXL	7 - Seater	-	82.2 mm (3.24 in.)	66.6 mm (2.62 in.)
			for Double Tank Type	81.5 mm (3.21 in.)	66.2 mm (2.61 in.)
TX	5 - Seater	-	73.3 mm (2.89 in.)	52.9 mm (2.08 in.)	
		for Double Tank Type	72.4 mm (2.85 in.)	54.6 mm (2.15 in.)	
	7 - Seater	-	74.5 mm (2.93 in.)	54.1 mm (2.13 in.)	
		for Double Tank Type	73.5 mm (2.89 in.)	55.6 mm (2.19 in.)	
	9 -	-	73.3 mm (2.89 in.)	52.3 mm (2.06 in.)	

GRJ150L-GKAEK	TXL	Seater	for Double Tank Type	72.4 mm (2.85 in.)	54.0 mm (2.13 in.)
		5 - Seater	-	74.5 mm (2.93 in.)	54.5 mm (2.15 in.)
			for Double Tank Type	73.6 mm (2.90 in.)	56.2 mm (2.21 in.)
		7 - Seater	-	75.6 mm (2.98 in.)	55.6 mm (2.19 in.)
			for Double Tank Type	74.7 mm (2.94 in.)	57.1 mm (2.25 in.)
		9 - Seater	-	74.5 mm (2.93 in.)	53.9 mm (2.12 in.)
	for Double Tank Type		73.6 mm (2.90 in.)	55.5 mm (2.19 in.)	
	VX	5 - Seater	-	79.9 mm (3.15 in.)	56.6 mm (2.23 in.)
			for Double Tank Type	79.1 mm (3.11 in.)	58.2 mm (2.29 in.)
		7 - Seater	-	81.0 mm (3.19 in.)	57.6 mm (2.27 in.)
			for Double Tank Type	80.2 mm (3.16 in.)	58.1 mm (2.29 in.)
	VXL	7 - Seater	-	79.6 mm (3.13 in.)	65.8 mm (2.59 in.)
for Double Tank Type			78.9 mm (3.11 in.)	65.4 mm (2.57 in.)	
GRJ150L-GKFEK	TX	5 - Seater	-	72.6 mm (2.86 in.)	52.7 mm (2.07 in.)
			for Double Tank Type	71.6 mm (2.82 in.)	54.4 mm (2.14 in.)
		7 - Seater	-	73.7 mm (2.90 in.)	53.9 mm (2.12 in.)
			for Double Tank Type	72.7 mm (2.86 in.)	55.4 mm (2.18 in.)
		9 - Seater	-	72.5 mm (2.85 in.)	52.1 mm (2.05 in.)
			for Double Tank Type	71.6 mm (2.82 in.)	53.8 mm (2.12 in.)
	TXL	5 - Seater	-	73.7 mm (2.90 in.)	54.0 mm (2.13 in.)
			for Double Tank Type	72.8 mm (2.87 in.)	55.9 mm (2.20 in.)
		7 - Seater	-	74.9 mm (2.95 in.)	55.2 mm (2.17 in.)
			for Double Tank Type	73.9 mm (2.91 in.)	56.7 mm (2.23 in.)
		9 - Seater	-	73.7 mm (2.90 in.)	53.4 mm (2.10 in.)
			for Double Tank Type	72.8 mm (2.87 in.)	55.0 mm (2.17 in.)
				82.5 mm	56.6 mm

	VX	5 - Seater	-	(3.25 in.)	(2.23 in.)
			for Double Tank Type	81.6 mm (3.21 in.)	58.2 mm (2.29 in.)
		7 - Seater	-	83.6 mm (3.29 in.)	57.7 mm (2.27 in.)
			for Double Tank Type	82.8 mm (3.26 in.)	58.2 mm (2.29 in.)
	VXL	7 - Seater	-	82.1 mm (3.23 in.)	66.3 mm (2.61 in.)
			for Double Tank Type	81.4 mm (3.20 in.)	65.9 mm (2.59 in.)
LJ150L-GKMEE	TX	5 - Seater	-	74.1 mm (2.92 in.)	53.8 mm (2.12 in.)
			for Double Tank Type	73.7 mm (2.90 in.)	51.1 mm (2.01 in.)
		7 - Seater	-	75.2 mm (2.96 in.)	55.0 mm (2.17 in.)
			for Double Tank Type	74.2 mm (2.92 in.)	57.0 mm (2.24 in.)
		9 - Seater	-	74.2 mm (2.92 in.)	52.8 mm (2.08 in.)
			for Double Tank Type	73.2 mm (2.88 in.)	54.9 mm (2.16 in.)
	TXL	5 - Seater	-	74.7 mm (2.94 in.)	56.6 mm (2.23 in.)
			for Double Tank Type	73.8 mm (2.91 in.)	58.6 mm (2.31 in.)
		7 - Seater	-	75.8 mm (2.98 in.)	57.6 mm (2.27 in.)
			for Double Tank Type	74.9 mm (2.95 in.)	59.5 mm (2.34 in.)
		9 - Seater	-	74.8 mm (2.94 in.)	55.4 mm (2.18 in.)
			for Double Tank Type	73.9 mm (2.91 in.)	57.4 mm (2.26 in.)
LJ150R-GKMEE	TX	5 - Seater	-	76.0 mm (2.99 in.)	53.6 mm (2.11 in.)
			for Double Tank Type	75.1 mm (2.96 in.)	55.8 mm (2.20 in.)
		7 - Seater	-	77.1 mm (3.04 in.)	54.9 mm (2.16 in.)
			for Double Tank Type	76.2 mm (3.00 in.)	56.9 mm (2.24 in.)
		9 - Seater	-	76.1 mm (3.00 in.)	52.6 mm (2.07 in.)
			for Double Tank Type	75.2 mm (2.96 in.)	54.5 mm (2.15 in.)
		5 - Seater	-	76.4 mm (3.01 in.)	56.4 mm (2.22 in.)
			for Double	75.4 mm	58.5 mm

	TXL	7 - Seater	Tank Type	(2.97 in.)	(2.30 in.)
			-	77.5 mm (3.05 in.)	57.4 mm (2.26 in.)
		9 - Seater	for Double Tank Type	76.5 mm (3.01 in.)	59.3 mm (2.33 in.)
			-	76.4 mm (3.01 in.)	55.2 mm (2.17 in.)
TRJ150L-GKPEK	TX	5 - Seater	for Double Tank Type	75.0 mm (2.95 in.)	52.5 mm (2.07 in.)
			-	74.0 mm (2.91 in.)	54.2 mm (2.13 in.)
		7 - Seater	for Double Tank Type	76.2 mm (3.00 in.)	53.8 mm (2.12 in.)
			-	75.2 mm (2.96 in.)	55.3 mm (2.18 in.)
		9 - Seater	for Double Tank Type	75.0 mm (2.95 in.)	51.7 mm (2.04 in.)
			-	75.7 mm (2.98 in.)	55.1 mm (2.17 in.)
	TXL	5 - Seater	for Double Tank Type	74.8 mm (2.94 in.)	56.6 mm (2.23 in.)
			-	76.9 mm (3.03 in.)	56.2 mm (2.21 in.)
		7 - Seater	for Double Tank Type	76.0 mm (2.99 in.)	57.6 mm (2.27 in.)
			-	75.8 mm (2.98 in.)	53.9 mm (2.12 in.)
		9 - Seater	for Double Tank Type	74.9 mm (2.95 in.)	53.2 mm (2.09 in.)
			-	73.9 mm (2.91 in.)	55.0 mm (2.17 in.)
TRJ150L-GKMEK	TX	7 - Seater	for Double Tank Type	76.0 mm (2.99 in.)	54.5 mm (2.15 in.)
			-	75.1 mm (2.96 in.)	56.0 mm (2.20 in.)
		5 - Seater	for Double Tank Type	75.6 mm (2.98 in.)	55.8 mm (2.20 in.)
			-	74.7 mm (2.94 in.)	57.4 mm (2.26 in.)
	TXL	7 - Seater	for Double Tank Type	76.9 mm (3.03 in.)	56.4 mm (2.22 in.)
			-	75.9 mm (2.99 in.)	57.9 mm (2.28 in.)
		5 - Seater	for Double Tank Type	74.0 mm (2.91 in.)	52.0 mm (2.05 in.)
			-	73.0 mm (2.87 in.)	53.8 mm (2.12 in.)
TX	7 -	for Double Tank Type	75.2 mm (2.96 in.)	53.3 mm (2.10 in.)	
		-			

TRJ150R-GKMEK	TXL	Seater	for Double Tank Type	74.2 mm (2.92 in.)	54.9 mm (2.16 in.)
		5 - Seater	-	74.4 mm (2.93 in.)	54.5 mm (2.15 in.)
			for Double Tank Type	73.5 mm (2.89 in.)	56.2 mm (2.21 in.)
		7 - Seater	-	75.6 mm (2.98 in.)	55.1 mm (2.17 in.)
			for Double Tank Type	74.6 mm (2.94 in.)	57.1 mm (2.25 in.)
		KDJ150L-GKAEYW	TX	2 - Seater	-
for Cold Area	81.6 mm (3.21 in.)				52.9 mm (2.08 in.)
5 - Seater	-			80.7 mm (3.18 in.)	55.5 mm (2.19 in.)
	Spare Tire Less			79.7 mm (3.14 in.)	51.0 mm (2.01 in.)
	for Cold Area			82.9 mm (3.26 in.)	56.1 mm (2.21 in.)
7 - Seater	-			81.8 mm (3.22 in.)	56.7 mm (2.23 in.)
	for Cold Area		83.9 mm (3.30 in.)	57.3 mm (2.26 in.)	
TXL	2 - Seater		-	80.6 mm (3.17 in.) (*1)	54.1 mm (2.13 in.) (*1)
			-	80.7 mm (3.18 in.) (*2)	54.2 mm (2.13 in.) (*2)
			for Cold Area	82.1 mm (3.23 in.)	54.6 mm (2.15 in.)
	5 - Seater		-	81.5 mm (3.21 in.)	57.5 mm (2.26 in.)
			for Cold Area	83.6 mm (3.29 in.)	58.1 mm (2.29 in.)
	7 - Seater		-	82.5 mm (3.25 in.)	58.6 mm (2.31 in.)
for Cold Area			84.6 mm (3.33 in.)	59.2 mm (2.33 in.)	
VX	5 - Seater		-	81.6 mm (3.21 in.) (*1)	58.3 mm (2.30 in.) (*1)
			-	81.5 mm (3.21 in.) (*2)	58.2 mm (2.29 in.) (*2)
			for Cold Area	82.1 mm (3.23 in.)	58.6 mm (2.31 in.) (*1)
					58.5 mm (2.30 in.) (*2)
				59.3 mm	

		7 - Seater	-	82.6 mm (3.25 in.)	(2.33 in.) (*1) 59.2 mm (2.33 in.) (*2)	
			for Cold Area	83.1 mm (3.27 in.)	59.6 mm (2.35 in.) (*1) 59.5 mm (2.34 in.) (*2)	
	VXL	5 - Seater	-	80.8 mm (3.18 in.) (*1) 80.7 mm (3.18 in.) (*2)	66.6 mm (2.62 in.) (*1) 66.4 mm (2.61 in.) (*2)	
			for Cold Area	81.3 mm (3.20 in.)	66.8 mm (2.63 in.) (*1) 66.7 mm (2.63 in.) (*2)	
		7 - Seater	-	81.9 mm (3.22 in.)	66.6 mm (2.62 in.)	
			for Cold Area	82.4 mm (3.24 in.)	66.9 mm (2.63 in.) (*1) 66.8 mm (2.63 in.) (*2)	
		TX	2 - Seater	-	78.5 mm (3.09 in.)	50.7 mm (2.00 in.)
				for Cold Area	80.6 mm (3.17 in.)	51.2 mm (2.02 in.)
			5 - Seater	-	79.8 mm (3.14 in.)	55.3 mm (2.18 in.)
				Spare Tire Less	79.1 mm (3.11 in.)	50.8 mm (2.00 in.)
for Cold Area				82.0 mm (3.23 in.)	55.9 mm (2.20 in.)	
7 - Seater			-	80.9 mm (3.19 in.)	56.5 mm (2.22 in.)	
		for Cold Area	83.0 mm (3.27 in.)	57.0 mm (2.24 in.)		
TXL		2 - Seater	-	79.4 mm (3.13 in.)	53.8 mm (2.12 in.)	
			for Cold Area	81.5 mm (3.21 in.)	54.4 mm (2.14 in.)	
		5 - Seater	-	80.9 mm (3.19 in.)	57.4 mm (2.26 in.)	
	for Cold Area		83.0 mm (3.27 in.)	58.0 mm (2.28 in.)		
			81.9 mm	58.4 mm		

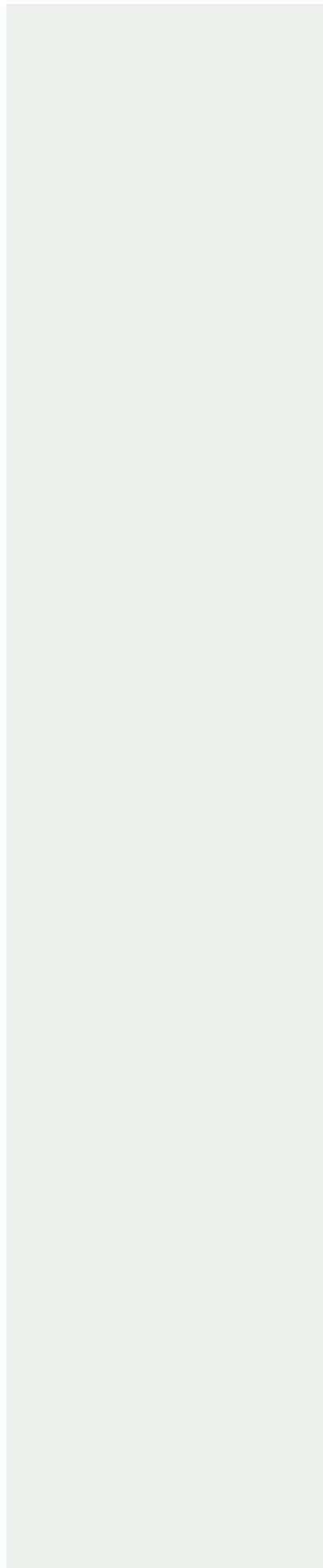
KDJ150L- GKFEYW	VX	7 - Seater	-	(3.22 in.)	(2.30 in.)	
			for Cold Area	84.0 mm (3.31 in.)	59.0 mm (2.32 in.)	
		5 - Seater	-	80.4 mm (3.17 in.)	57.6 mm (2.27 in.) (*1)	57.4 mm (2.26 in.) (*2)
			for Cold Area	81.0 mm (3.19 in.)	57.8 mm (2.28 in.) (*1)	57.7 mm (2.27 in.) (*2)
		7 - Seater	-	81.5 mm (3.21 in.) (*1)	58.5 mm (2.30 in.)	
			for Cold Area	81.4 mm (3.20 in.) (*2)		
	VXL	5 - Seater	-	79.9 mm (3.15 in.)	66.3 mm (2.61 in.)	
			for Cold Area	80.5 mm (3.17 in.) (*1)	66.6 mm (2.62 in.)	
		7 - Seater	-	80.4 mm (3.17 in.) (*2)	66.4 mm (2.61 in.)	
			for Cold Area	81.0 mm (3.19 in.)		
		5 - Seater	-	81.0 mm (3.19 in.)	66.7 mm (2.63 in.) (*1)	
			for Cold Area	81.5 mm (3.21 in.)		
7 - Seater	-	81.5 mm (3.21 in.)	66.6 mm (2.62 in.) (*2)			
	for Cold Area	81.5 mm (3.21 in.)				
TX	2 - Seater	-	82.6 mm (3.25 in.)	53.5 mm (2.11 in.)		
		for Cold Area	78.3 mm (3.08 in.)	52.7 mm (2.07 in.)		
	5 - Seater	-	83.8 mm (3.30 in.)	56.1 mm (2.21 in.)		
		Spare Tire Less	82.8 mm (3.26 in.)	51.7 mm (2.04 in.)		
		for Cold Area	79.6 mm (3.13 in.)	55.4 mm (2.18 in.)		
	7 - Seater	-	84.7 mm (3.33 in.)	58.8 mm (2.31 in.)		
		for Cold Area	80.5 mm (3.17 in.)	58.0 mm (2.28 in.)		

KDJ150R-GKAEYW	TXL	2 - Seater	-	83.8 mm (3.30 in.)	53.7 mm (2.11 in.) (*1) 53.8 mm (2.12 in.) (*2)
			for Cold Area	78.9 mm (3.11 in.)	52.8 mm (2.08 in.)
		5 - Seater	-	84.8 mm (3.34 in.)	58.2 mm (2.29 in.)
			for Cold Area	80.6 mm (3.17 in.)	57.5 mm (2.26 in.)
		7 - Seater	-	85.9 mm (3.38 in.)	59.4 mm (2.34 in.)
			for Cold Area	81.6 mm (3.21 in.)	58.6 mm (2.31 in.)
	VX	5 - Seater	-	81.9 mm (3.22 in.) (*1) 81.8 mm (3.22 in.) (*2)	58.4 mm (2.30 in.) (*1) 58.3 mm (2.30 in.) (*2)
			for Cold Area	83.0 mm (3.27 in.)	58.8 mm (2.31 in.)
		7 - Seater	-	82.9 mm (3.26 in.)	59.3 mm (2.33 in.)
			for Cold Area	83.9 mm (3.30 in.)	59.7 mm (2.35 in.)
	VXL	5 - Seater	-	81.1 mm (3.19 in.)	66.6 mm (2.62 in.)
			for Cold Area	82.2 mm (3.24 in.)	67.0 mm (2.64 in.)
		7 - Seater	-	82.2 mm (3.24 in.)	66.7 mm (2.63 in.) (*1) 66.6 mm (2.62 in.) (*2)
			for Cold Area	83.2 mm (3.28 in.)	67.0 mm (2.64 in.)
	TX	2 - Seater	-	81.4 mm (3.20 in.)	53.2 mm (2.09 in.)
			for Cold Area	77.1 mm (3.04 in.)	52.4 mm (2.06 in.)
		5 - Seater	-	82.6 mm (3.25 in.)	55.9 mm (2.20 in.)
			Spare Tire Less	81.9 mm (3.22 in.)	51.2 mm (2.02 in.)
for Cold Area			78.4 mm (3.09 in.)	55.1 mm (2.17 in.)	
7 - Seater		-	83.6 mm (3.29 in.)	57.0 mm (2.24 in.)	
	for Cold	79.5 mm	56.3 mm		

KDJ150R- GKFEYW	TXL	2 - Seater	Area	(3.13 in.)	(2.22 in.)
			-	82.6 mm (3.25 in.)	53.5 mm (2.11 in.)
		5 - Seater	for Cold Area	78.3 mm (3.08 in.)	52.7 mm (2.07 in.)
			-	83.9 mm (3.30 in.)	58.0 mm (2.28 in.)
		7 - Seater	for Cold Area	79.7 mm (3.14 in.)	57.3 mm (2.26 in.)
			-	84.2 mm (3.31 in.)	60.1 mm (2.37 in.)
	VX	5 - Seater	for Cold Area	80.0 mm (3.15 in.)	59.4 mm (2.34 in.)
			-	80.7 mm (3.18 in.)	57.6 mm (2.27 in.)
		7 - Seater	for Cold Area	81.9 mm (3.22 in.)	58.0 mm (2.28 in.)
			-	81.8 mm (3.22 in.) (*1)	58.6 mm (2.31 in.) (*1)
			-	81.7 mm (3.22 in.) (*2)	58.5 mm (2.30 in.) (*2)
		for Cold Area	82.8 mm (3.26 in.)	59.0 mm (2.32 in.)	
	VXL	5 - Seater	for Cold Area	80.2 mm (3.16 in.)	66.4 mm (2.61 in.) (*1)
			-	81.3 mm (3.20 in.)	66.3 mm (2.61 in.) (*2)
		7 - Seater	for Cold Area	81.3 mm (3.20 in.)	66.8 mm (2.63 in.)
			-	81.3 mm (3.20 in.)	66.4 mm (2.61 in.)
	for Cold Area	82.4 mm (3.24 in.)	66.8 mm (2.63 in.)		
	TX	2 - Seater	for Cold Area	79.4 mm (3.13 in.)	51.0 mm (2.01 in.)
-			79.4 mm (3.13 in.)	51.0 mm (2.01 in.)	
5 - Seater			-	78.4 mm (3.09 in.)	54.5 mm (2.15 in.)
7 - Seater		for Cold Area	90.2 mm (3.55 in.) (*1)	57.9 mm (2.28 in.) (*1)	
		-	79.5 mm (3.13 in.) (*2)	55.6 mm (2.19 in.) (*2)	
		for Cold Area	79.5 mm (3.13 in.) (*2)	55.6 mm (2.19 in.) (*2)	
TXL	2 - Seater	-	79.6 mm (3.13 in.)	52.1 mm (2.05 in.)	
	5 - Seater	-	79.8 mm (3.14 in.) (*1)	56.3 mm (2.22 in.) (*1)	
			90.6 mm	58.7 mm	

GRJ150L- GKAEKW			(3.57 in.) (*2)	(2.31 in.) (*2)	
	7 - Seater	-	91.7 mm (3.61 in.)	59.7 mm (2.35 in.)	
	VX	5 - Seater	-	90.0 mm (3.54 in.)	59.3 mm (2.33 in.) (*1) 59.2 mm (2.33 in.) (*2)
		7 - Seater	-	91.1 mm (3.59 in.)	60.3 mm (2.37 in.)
	VXL	5 - Seater	-	89.2 mm (3.51 in.)	68.0 mm (2.68 in.)
		7 - Seater	-	90.4 mm (3.56 in.) (*1) 90.3 mm (3.56 in.) (*2)	68.1 mm (2.68 in.)
GRJ150R- GKAEKW	TX	2 - Seater	-	88.9 mm (3.50 in.)	52.5 mm (2.07 in.)
		5 - Seater	-	89.1 mm (3.51 in.)	56.7 mm (2.23 in.)
		7 - Seater	-	79.5 mm (3.13 in.) (*1) 90.2 mm (3.55 in.) (*2)	55.6 mm (2.19 in.) (*1) 57.9 mm (2.28 in.) (*2)
	TXL	2 - Seater	-	90.3 mm (3.56 in.)	54.6 mm (2.15 in.) (*1) 54.7 mm (2.15 in.) (*2)
		5 - Seater	-	90.5 mm (3.56 in.)	58.9 mm (2.32 in.)
		7 - Seater	-	80.9 mm (3.19 in.) (*1) 91.6 mm (3.61 in.) (*2)	57.7 mm (2.27 in.) (*1) 60.0 mm (2.36 in.) (*2)
	VX	5 - Seater	-	86.9 mm (3.42 in.) (*1) 76.2 mm (3.00 in.) (*2)	58.9 mm (2.32 in.) (*1) 56.5 mm (2.22 in.) (*2)
		7 - Seater	-	77.3 mm (3.04 in.)	57.6 mm (2.27 in.)
		5 -	-	86.1 mm (3.39 in.) (*1)	67.4 mm (2.65 in.) (*1)

KDJ155L-GJAEYW	VXL	Seater		75.4 mm (2.97 in.) (*2)	65.1 mm (2.56 in.) (*2)	
		7 - Seater	-	76.6 mm (3.02 in.)	65.2 mm (2.57 in.)	
	TX	2 - Seater	-	90.8 mm (3.57 in.) (*1) 82.0 mm (3.23 in.) (*2)	69.4 mm (2.73 in.) (*1) 58.8 mm (2.31 in.) (*2)	
			for Cold Area	89.2 mm (3.51 in.) (*1) 78.8 mm (3.10 in.) (*2)	69.2 mm (2.72 in.) (*1) 58.2 mm (2.29 in.) (*2)	
		5 - Seater	-	92.8 mm (3.65 in.) (*1) 84.0 mm (3.31 in.) (*2)	73.4 mm (2.89 in.) (*1) 62.8 mm (2.47 in.) (*2)	
			for Cold Area	91.1 mm (3.59 in.) (*1) 80.8 mm (3.18 in.) (*2)	73.2 mm (2.88 in.) (*1) 62.2 mm (2.45 in.) (*2)	
			Spare Tire Less	92.5 mm (3.64 in.)	70.2 mm (2.76 in.)	
			Spare Tire Less for Cold Area	90.9 mm (3.58 in.)	69.9 mm (2.75 in.)	
		TXL	2 - Seater	-	91.4 mm (3.60 in.) (*1) 82.6 mm (3.25 in.) (*2)	70.4 mm (2.77 in.) (*1) 59.8 mm (2.35 in.) (*2)
				for Cold Area	89.7 mm (3.53 in.) (*1) 79.4 mm (3.13 in.) (*2)	70.1 mm (2.76 in.) (*1) 59.2 mm (2.33 in.) (*2)
			5 -	-	93.7 mm (3.69 in.) (*1) 84.9 mm (3.34 in.) (*2)	74.5 mm (2.93 in.) (*1) 63.9 mm (2.52 in.) (*2)
				for Cold	92.1 mm (3.63 in.) (*1)	74.3 mm (2.93 in.) (*1)



		Seater	Area	81.7 mm (3.22 in.) (*2)	63.3 mm (2.49 in.) (*2)	
			Spare Tire Less	93.5 mm (3.68 in.)	71.2 mm (2.80 in.)	
			Spare Tire Less for Cold Area	91.8 mm (3.61 in.)	71.0 mm (2.80 in.)	
	VX			-	96.5 mm (3.80 in.) (*1) 87.7 mm (3.45 in.) (*2)	78.3 mm (3.08 in.) (*1) 67.6 mm (2.66 in.) (*2)
				for Cold Area	94.8 mm (3.73 in.) (*1) 84.4 mm (3.32 in.) (*2)	78.0 mm (3.07 in.) (*1) 66.9 mm (2.63 in.) (*2)
			Spare Tire Less	96.3 mm (3.79 in.)	75.0 mm (2.95 in.)	
		Spare Tire Less for Cold Area	94.5 mm (3.72 in.)	74.7 mm (2.94 in.)		
		2 - Seater	-	89.5 mm (3.52 in.) (*1) 80.6 mm (3.17 in.) (*2)	68.7 mm (2.70 in.) (*1) 58.2 mm (2.29 in.) (*2)	
TX			for Cold Area	94.4 mm (3.72 in.) (*1) 85.6 mm (3.37 in.) (*2)	70.1 mm (2.76 in.) (*1) 59.5 mm (2.34 in.) (*2)	
			5 - Seater	-	91.4 mm (3.60 in.) (*1) 82.6 mm (3.25 in.) (*2)	73.0 mm (2.87 in.) (*1) 62.4 mm (2.46 in.) (*2)
		for Cold Area	96.4 mm (3.80 in.) (*1) 87.6 mm (3.45 in.) (*2)	74.4 mm (2.93 in.) (*1) 63.8 mm (2.51 in.) (*2)		
		Spare Tire Less	91.1 mm (3.59 in.)	69.7 mm (2.74 in.)		
		Spare Tire Less for Cold	96.2 mm (3.79 in.)	71.2 mm (2.80 in.)		

		Area			
KDJ155L-GJFEYW	TXL	2 - Seater	-	90.7 mm (3.57 in.) (*1) 81.9 mm (3.22 in.) (*2)	70.2 mm (2.76 in.) (*1) 59.6 mm (2.35 in.) (*2)
			for Cold Area	89.0 mm (3.50 in.) (*1) 78.7 mm (3.10 in.) (*2)	69.9 mm (2.75 in.) (*1) 59.0 mm (2.32 in.) (*2)
		5 - Seater	-	92.7 mm (3.65 in.) (*1) 83.8 mm (3.30 in.) (*2)	74.5 mm (2.93 in.) (*1) 63.8 mm (2.51 in.) (*2)
			for Cold Area	91.0 mm (3.58 in.) (*1) 80.7 mm (3.18 in.) (*2)	74.2 mm (2.92 in.) (*1) 63.2 mm (2.49 in.) (*2)
	Spare Tire Less		92.4 mm (3.64 in.)	71.2 mm (2.80 in.)	
	Spare Tire Less for Cold Area		90.7 mm (3.57 in.)	70.9 mm (2.79 in.)	
	VX	5 - Seater	-	95.2 mm (3.75 in.) (*1) 86.4 mm (3.40 in.) (*2)	77.0 mm (3.03 in.) (*1) 66.4 mm (2.61 in.) (*2)
			for Cold Area	93.5 mm (3.68 in.) (*1) 83.1 mm (3.27 in.) (*2)	76.8 mm (3.02 in.) (*1) 65.7 mm (2.59 in.) (*2)
			Spare Tire Less	94.9 mm (3.74 in.)	73.8 mm (2.91 in.)
			Spare Tire Less for Cold Area	93.2 mm (3.67 in.)	73.5 mm (2.89 in.)
		2 - Seater	-	95.4 mm (3.76 in.) (*1) 85.5 mm (3.37 in.) (*2)	70.5 mm (2.76 in.) (*1) 59.7 mm (2.35 in.) (*2)
			for Cold	93.8 mm	70.3 mm

KDJ155R-GJAEYW	TX	5 - Seater	Area	(3.69 in.)	(2.77 in.)	
			-	97.0 mm (3.82 in.) (*1)	74.5 mm (2.93 in.) (*1)	
			for Cold Area	87.1 mm (3.43 in.) (*2)	63.5 mm (2.50 in.) (*2)	
			Spare Tire Less	95.4 mm (3.76 in.)	74.2 mm (2.92 in.)	
				Spare Tire Less for Cold Area	97.1 mm (3.82 in.)	71.2 mm (2.80 in.)
				Spare Tire Less for Cold Area	95.5 mm (3.76 in.)	71.0 mm (2.80 in.)
	TXL	2 - Seater	-	96.7 mm (3.81 in.) (*1)	71.9 mm (2.83 in.) (*1)	
			for Cold Area	86.8 mm (3.42 in.) (*2)	61.1 mm (2.41 in.) (*2)	
				94.3 mm (3.71 in.)	71.5 mm (2.81 in.)	
	TXL	5 - Seater	-	98.3 mm (3.87 in.) (*1)	75.8 mm (2.98 in.) (*1)	
			for Cold Area	88.4 mm (3.48 in.) (*2)	64.9 mm (2.56 in.) (*2)	
				96.6 mm (3.80 in.)	75.6 mm (2.98 in.)	
				Spare Tire Less	98.0 mm (3.86 in.)	72.5 mm (2.85 in.)
				Spare Tire Less for Cold Area	96.4 mm (3.80 in.)	72.3 mm (2.85 in.)
VX	5 - Seater	-	92.0 mm (3.62 in.) (*1)	76.9 mm (3.03 in.) (*1)		
		for Cold Area	84.3 mm (3.32 in.) (*2)	66.4 mm (2.61 in.) (*2)		
			90.2 mm (3.55 in.)	76.7 mm (3.02 in.)		
			Spare Tire Less	91.7 mm (3.61 in.)	73.6 mm (2.90 in.)	
			Spare Tire Less for Cold Area	89.9 mm (3.54 in.)	73.4 mm (2.89 in.)	
		2 -	-	94.0 mm (3.70 in.) (*1)	70.1 mm (2.76 in.) (*1)	
				84.1 mm	59.3 mm	

KDJ155R-GJFEYW	TX	Seater		(3.31 in.) (*2)	(2.33 in.) (*2)	
		for Cold Area		92.4 mm (3.64 in.)	69.9 mm (2.75 in.)	
		-		96.0 mm (3.78 in.) (*1)	74.1 mm (2.92 in.) (*1)	
				86.1 mm (3.39 in.) (*2)	63.3 mm (2.49 in.) (*2)	
		5 - Seater	for Cold Area	94.4 mm (3.72 in.)	74.0 mm (2.91 in.)	
			Spare Tire Less	95.7 mm (3.77 in.)	70.8 mm (2.79 in.)	
		Spare Tire Less for Cold Area	94.1 mm (3.70 in.)	70.6 mm (2.78 in.)		
	TXL	2 - Seater	-		95.3 mm (3.75 in.) (*1)	71.5 mm (2.81 in.) (*1)
					85.4 mm (3.36 in.) (*2)	60.7 mm (2.39 in.) (*2)
			for Cold Area	93.6 mm (3.69 in.)	71.3 mm (2.81 in.)	
		5 - Seater	-		97.2 mm (3.83 in.) (*1)	75.5 mm (2.97 in.) (*1)
					87.3 mm (3.44 in.) (*2)	64.7 mm (2.55 in.) (*2)
			for Cold Area	95.6 mm (3.76 in.)	75.3 mm (2.96 in.)	
		Spare Tire Less	96.6 mm (3.80 in.)	72.2 mm (2.84 in.)		
		Spare Tire Less for Cold Area	95.0 mm (3.74 in.)	72.0 mm (2.83 in.)		
	VX	5 - Seater	-		90.6 mm (3.57 in.) (*1)	75.9 mm (2.99 in.) (*1)
				82.9 mm (3.26 in.) (*2)	65.5 mm (2.58 in.) (*2)	
for Cold Area			98.1 mm (3.86 in.)	77.9 mm (3.07 in.)		
Spare Tire Less			90.3 mm (3.56 in.)	72.6 mm (2.86 in.)		
	Spare Tire Less for Cold Area	97.8 mm (3.85 in.)	74.6 mm (2.94 in.)			

KDJ150R- GKAEYQ	TX	5 - Seater	-	72.6 mm (2.86 in.)	53.5 mm (2.11 in.)
			for Double Tank Type	71.6 mm (2.82 in.)	55.7 mm (2.19 in.)
		7 - Seater	-	73.6 mm (2.90 in.)	54.7 mm (2.15 in.)
			for Double Tank Type	72.7 mm (2.86 in.)	56.7 mm (2.23 in.)
	TXL	7 - Seater	-	74.5 mm (2.93 in.)	58.7 mm (2.31 in.)
			for Double Tank Type	73.5 mm (2.89 in.)	60.5 mm (2.38 in.)
	VX	7 - Seater	-	83.3 mm (3.28 in.)	61.1 mm (2.41 in.)
			for Double Tank Type	82.5 mm (3.25 in.)	61.8 mm (2.43 in.)
	VXL	7 - Seater	-	80.8 mm (3.18 in.)	66.3 mm (2.61 in.)
			for Double Tank Type	83.6 mm (3.29 in.)	66.6 mm (2.62 in.)
KDJ150R- GKFEYQ	TX	5 - Seater	-	77.6 mm (3.06 in.)	54.6 mm (2.15 in.)
			for Double Tank Type	76.6 mm (3.02 in.)	56.8 mm (2.24 in.)
		7 - Seater	-	72.7 mm (2.86 in.)	54.4 mm (2.14 in.)
			for Double Tank Type	71.8 mm (2.83 in.)	56.5 mm (2.22 in.)
	TXL	7 - Seater	-	79.5 mm (3.13 in.)	59.5 mm (2.34 in.)
			for Double Tank Type	78.5 mm (3.09 in.)	61.2 mm (2.41 in.)
	VX	7 - Seater	-	82.2 mm (3.24 in.)	60.5 mm (2.38 in.)
			for Double Tank Type	81.4 mm (3.20 in.)	61.3 mm (2.41 in.)
	VXL	7 - Seater	-	82.8 mm (3.26 in.)	66.7 mm (2.63 in.)
			for Double Tank Type	82.1 mm (3.23 in.)	66.2 mm (2.61 in.)
GRJ150R- GKAEKQ	TX	5 - Seater	-	73.0 mm (2.87 in.)	52.8 mm (2.08 in.)
			for Double Tank Type	72.1 mm (2.84 in.)	54.5 mm (2.15 in.)
		7 - Seater	-	74.1 mm (2.92 in.)	54.0 mm (2.13 in.)
			for Double Tank Type	73.2 mm (2.88 in.)	55.6 mm (2.19 in.)
	TXL	7 - Seater	-	75.0 mm (2.95 in.)	58.0 mm (2.28 in.)
			for Double	74.1 mm	59.3 mm

			Tank Type	(2.92 in.)	(2.33 in.)
	VX	7 - Seater	-	77.7 mm (3.06 in.)	59.1 mm (2.33 in.)
			for Double Tank Type	77.0 mm (3.03 in.)	59.5 mm (2.34 in.)
	VXL	7 - Seater	-	78.4 mm (3.09 in.)	65.5 mm (2.58 in.)
			for Double Tank Type	77.7 mm (3.06 in.)	65.1 mm (2.56 in.)
GRJ150R- GKFEKQ	TX	5 - Seater	-	72.0 mm (2.83 in.)	52.5 mm (2.07 in.)
			for Double Tank Type	71.1 mm (2.80 in.)	54.2 mm (2.13 in.)
		7 - Seater	-	73.2 mm (2.88 in.)	53.8 mm (2.12 in.)
			for Double Tank Type	72.3 mm (2.85 in.)	55.4 mm (2.18 in.)
	TXL	7 - Seater	-	74.1 mm (2.92 in.)	57.5 mm (2.26 in.)
			for Double Tank Type	73.2 mm (2.88 in.)	58.9 mm (2.32 in.)
	VX	7 - Seater	-	76.5 mm (3.01 in.)	58.6 mm (2.31 in.)
			for Double Tank Type	75.7 mm (2.98 in.)	58.9 mm (2.32 in.)
	VXL	7 - Seater	-	77.1 mm (3.04 in.)	65.2 mm (2.57 in.)
			for Double Tank Type	75.8 mm (2.98 in.)	64.6 mm (2.54 in.)
KDJ155R- GJAEYW	TX	5 - Seater	-	73.1 mm (2.88 in.)	60.1 mm (2.37 in.)
	TXL	5 - Seater	-	74.1 mm (2.92 in.)	61.5 mm (2.42 in.)
	VX	5 - Seater	-	76.9 mm (3.03 in.)	64.9 mm (2.56 in.)
KDJ150L-	TX	5 - Seater	-	76.2 mm (3.00 in.)	54.6 mm (2.15 in.)
			for Double Tank Type	75.3 mm (2.96 in.)	56.8 mm (2.24 in.)
		7 - Seater	-	77.3 mm (3.04 in.)	55.7 mm (2.19 in.)
			for Double Tank Type	76.3 mm (3.00 in.)	57.7 mm (2.27 in.)
	9 - Seater	-	76.2 mm (3.00 in.)	54.0 mm (2.13 in.)	
		for Double Tank Type	75.3 mm (2.96 in.)	56.1 mm (2.21 in.)	
	5 - Seater	-	76.0 mm (2.99 in.)	56.9 mm (2.24 in.)	
		for Double Tank Type	75.1 mm (2.96 in.)	59.0 mm (2.32 in.)	

GKAEYV	TXL	7 - Seater	-	78.9 mm (3.11 in.)	58.4 mm (2.30 in.)	
			for Double Tank Type	78.0 mm (3.07 in.)	60.3 mm (2.37 in.)	
		9 - Seater	-	76.0 mm (2.99 in.)	55.8 mm (2.20 in.)	
			for Double Tank Type	75.1 mm (2.96 in.)	57.5 mm (2.26 in.)	
	VX	7 - Seater	-	83.4 mm (3.28 in.)	60.2 mm (2.37 in.)	
			for Double Tank Type	82.6 mm (3.25 in.)	61.0 mm (2.40 in.)	
	VXL	7 - Seater	-	83.1 mm (3.27 in.)	66.8 mm (2.63 in.)	
			for Double Tank Type	82.4 mm (3.24 in.)	66.3 mm (2.61 in.)	
	KDJ150L- GKFEYV	TX	5 - Seater	-	75.0 mm (2.95 in.)	54.3 mm (2.14 in.)
				for Double Tank Type	74.0 mm (2.91 in.)	56.4 mm (2.22 in.)
			7 - Seater	-	76.0 mm (2.99 in.)	56.0 mm (2.20 in.)
				for Double Tank Type	75.1 mm (2.96 in.)	57.9 mm (2.28 in.)
9 - Seater			-	75.0 mm (2.95 in.)	53.7 mm (2.11 in.)	
			for Double Tank Type	74.0 mm (2.91 in.)	55.7 mm (2.19 in.)	
TXL		5 - Seater	-	76.6 mm (3.02 in.)	56.8 mm (2.24 in.)	
			for Double Tank Type	75.7 mm (2.98 in.)	58.8 mm (2.31 in.)	
		7 - Seater	-	77.7 mm (3.06 in.)	57.9 mm (2.28 in.)	
			for Double Tank Type	76.8 mm (3.02 in.)	59.7 mm (2.35 in.)	
		9 - Seater	-	76.6 mm (3.02 in.)	56.1 mm (2.21 in.)	
			for Double Tank Type	75.7 mm (2.98 in.)	58.1 mm (2.29 in.)	
VX		7 - Seater	-	82.3 mm (3.24 in.)	59.2 mm (2.33 in.)	
			for Double Tank Type	81.5 mm (3.21 in.)	60.0 mm (2.36 in.)	
VXL		7 - Seater	-	81.9 mm (3.22 in.)	66.5 mm (2.62 in.)	
			for Double Tank Type	81.2 mm (3.20 in.)	66.1 mm (2.60 in.)	
			5 - Seater	-	73.6 mm (2.90 in.)	53.2 mm (2.09 in.)
				for Double	72.7 mm	54.9 mm

GRJ150L-GKAEKV	TX	7 - Seater	Tank Type	(2.86 in.)	(2.16 in.)	
			-	74.7 mm (2.94 in.)	54.4 mm (2.14 in.)	
		9 - Seater	for Double Tank Type	73.8 mm (2.91 in.)	55.9 mm (2.20 in.)	
			-	73.6 mm (2.90 in.)	52.7 mm (2.07 in.)	
		5 - Seater	for Double Tank Type	72.7 mm (2.86 in.)	54.3 mm (2.14 in.)	
			-	75.3 mm (2.96 in.)	56.0 mm (2.20 in.)	
	TXL	7 - Seater	for Double Tank Type	74.4 mm (2.93 in.)	57.6 mm (2.27 in.)	
			-	76.4 mm (3.01 in.)	57.0 mm (2.24 in.)	
		9 - Seater	for Double Tank Type	75.5 mm (2.97 in.)	58.5 mm (2.30 in.)	
			-	75.3 mm (2.96 in.)	55.3 mm (2.18 in.)	
		7 - Seater	for Double Tank Type	74.4 mm (2.93 in.)	56.8 mm (2.24 in.)	
			-	80.9 mm (3.19 in.)	58.6 mm (2.31 in.)	
	VXL	for Double Tank Type	80.1 mm (3.15 in.)	59.0 mm (2.32 in.)		
		-	80.5 mm (3.17 in.)	65.9 mm (2.59 in.)		
	GRJ150L-GKFEKV	TX	5 - Seater	for Double Tank Type	72.3 mm (2.85 in.)	52.9 mm (2.08 in.)
				-	71.4 mm (2.81 in.)	54.6 mm (2.15 in.)
			7 - Seater	for Double Tank Type	73.5 mm (2.89 in.)	54.1 mm (2.13 in.)
				-	72.6 mm (2.86 in.)	55.7 mm (2.19 in.)
9 - Seater			for Double Tank Type	72.3 mm (2.85 in.)	52.3 mm (2.06 in.)	
			-	71.4 mm (2.81 in.)	53.9 mm (2.12 in.)	
TXL		5 - Seater	for Double Tank Type	74.1 mm (2.92 in.)	55.4 mm (2.18 in.)	
			-	73.1 mm (2.88 in.)	57.0 mm (2.24 in.)	
		7 - Seater	for Double Tank Type	75.2 mm (2.96 in.)	56.5 mm (2.22 in.)	
			-	74.3 mm (2.93 in.)	58.0 mm (2.28 in.)	
		9 -	for Double Tank Type	74.1 mm (2.92 in.)	54.2 mm (2.13 in.)	
			-			

		Seater	for Double Tank Type	73.2 mm (2.88 in.)	55.8 mm (2.20 in.)
	VX	7 - Seater	-	79.7 mm (3.14 in.)	57.9 mm (2.28 in.)
			for Double Tank Type	78.9 mm (3.11 in.)	58.2 mm (2.29 in.)
	VXL	7 - Seater	-	79.3 mm (3.12 in.)	65.7 mm (2.59 in.)
			for Double Tank Type	78.6 mm (3.09 in.)	65.2 mm (2.57 in.)
TRJ150L-GKPEKV	TX	5 - Seater	-	75.5 mm (2.97 in.)	54.2 mm (2.13 in.)
		7 - Seater	-	76.6 mm (3.02 in.)	55.4 mm (2.18 in.)
		9 - Seater	-	75.5 mm (2.97 in.)	53.6 mm (2.11 in.)
	TXL	5 - Seater	-	76.4 mm (3.01 in.)	55.3 mm (2.18 in.)
		7 - Seater	-	77.6 mm (3.06 in.)	56.3 mm (2.22 in.)
		9 - Seater	-	76.4 mm (3.01 in.)	54.6 mm (2.15 in.)
TRJ150L-GKMEKV	TX	5 - Seater	-	74.2 mm (2.92 in.)	53.6 mm (2.11 in.)
		7 - Seater	-	75.3 mm (2.96 in.)	54.8 mm (2.16 in.)
		9 - Seater	-	74.2 mm (2.92 in.)	53.0 mm (2.09 in.)
	TXL	5 - Seater	-	75.1 mm (2.96 in.)	54.6 mm (2.15 in.)
		7 - Seater	-	76.3 mm (3.00 in.)	55.8 mm (2.20 in.)
		9 - Seater	-	75.1 mm (2.96 in.)	54.0 mm (2.13 in.)
TRJ155L-GKPEKV	TX	5 - Seater	-	74.2 mm (2.92 in.)	59.7 mm (2.35 in.)
	TXL	5 - Seater	-	74.6 mm (2.94 in.)	59.8 mm (2.35 in.)

Measuring points:**A:****Ground clearance of the center of the front wheel****B:****Ground clearance of the center of the front adjusting cam bolt****C:****Ground clearance of the center of the rear wheel****D:****Ground clearance of the center of the rear lower control arm front side**

If the vehicle height is not as specified, adjust the height by pressing down on the vehicle several times to stabilize the suspension.

(*1) Light duty

(*2) Hard duty

NOTICE:

The standard value shown here is a value that is used for adjusting the wheel alignment and does not indicate the height of an actual vehicle.

4. INSPECT VEHICLE HEIGHT SELECTION**HINT:**

Perform this inspection with the vehicle unloaded.

- a. Start the engine.
- b. Using the height control switch, check the vehicle height adjustment amount and vehicle height adjustment time for each vehicle height mode.

HINT:

The select mode light of the height control indicator blinks during vehicle height adjustment and remains on after the vehicle height adjustment is completed.

Standard:

Mode Transition	Operation Details	Vehicle Height Adjustment Time
N mode to HI mode	From when "up" on height control switch pressed and control begins to when vehicle height is adjusted to HI mode	Approximately 20 seconds
HI mode to N mode	From when "down" on height control switch pressed and control begins to when vehicle height is adjusted to N mode	Approximately 20 seconds
N mode to LO mode	From when "down" on height control switch pressed and control begins to when vehicle height is adjusted to LO mode	Approximately 20 seconds
LO mode to N mode	From when "up" on height control switch pressed and control begins to when vehicle height is adjusted to N mode	Approximately 20 seconds

5. ADJUST VEHICLE HEIGHT**NOTICE:**

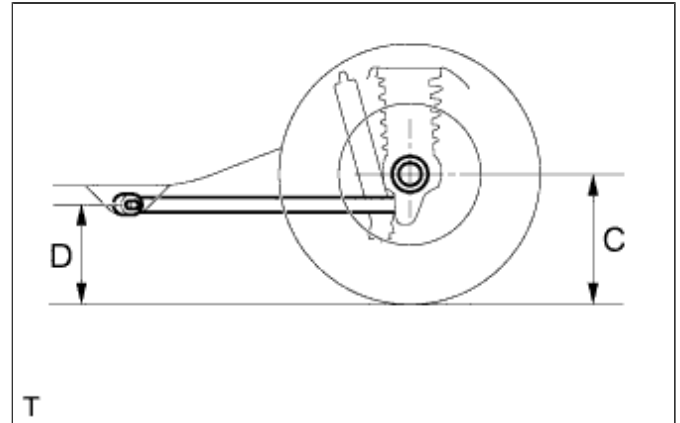
While adjusting vehicle height, do not put anyone or anything on or in the vehicle because doing so will affect vehicle height.

- a. Suspend vehicle height control by pressing the height control switch.
- b. Put the vehicle on a level surface.

- c. Measure the vehicle height (C - D measurement) on the right side and left side.

Standard vehicle height:
([Click here](#))

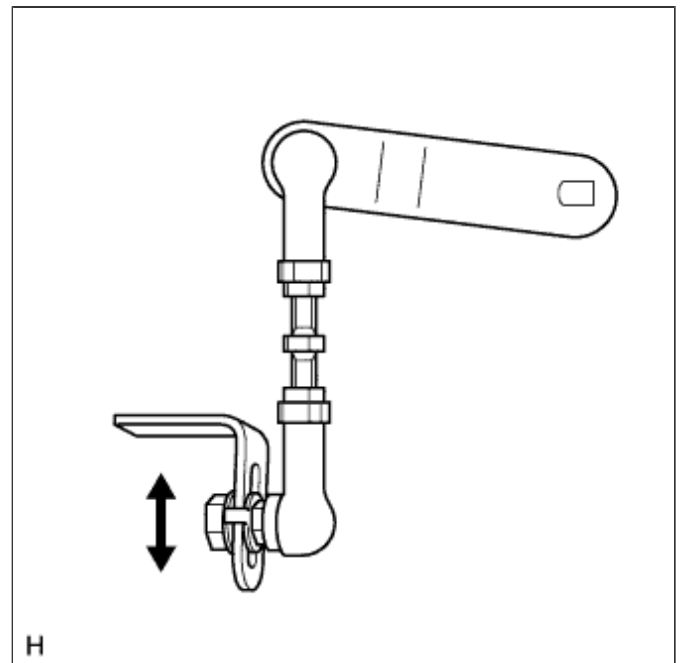
Difference between right and left side:
10 mm (0.394 in.) or less



- d. If the actual vehicle height differs from the vehicle height (C - D measurement), adjust it by jacking up the frame, etc. (Procedure "A").

- e. If the procedure "A" differs from the vehicle height (C - D measurement), adjust it by following the procedures below.

- i. Loosen the nut.
- ii. Move the height control sensor link up and down along the slotted hole of the bracket.



- iii. Adjust the vehicle height to the vehicle height (C - D measurement) while checking the value on the intelligent tester or voltmeter.
- iv. Tighten the nut.

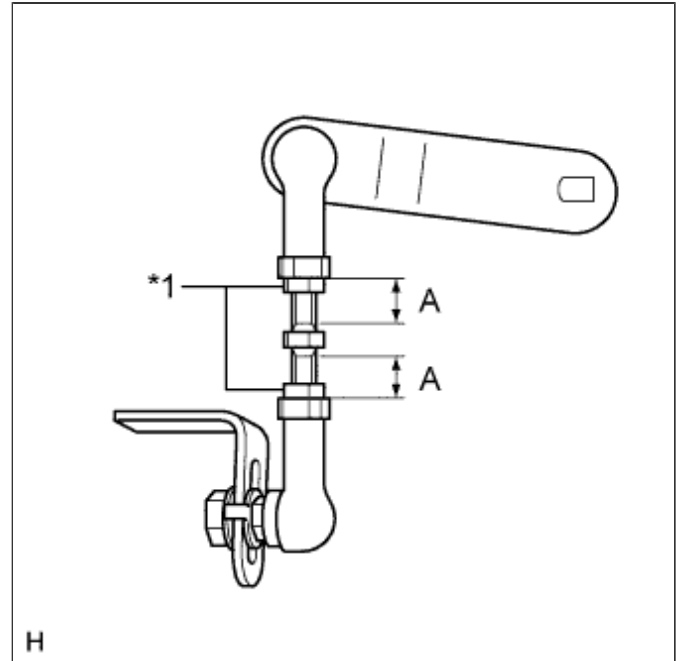
Torque:

5.4 N*m { 55 kgf*cm , 48 in.*lbf }

- f. If the vehicle height cannot be adjusted by performing procedure "A", adjust

it again by following the procedures below.

- i. Loosen the 2 lock nuts of the height control sensor link.



Text in Illustration

*1	Lock Nut
----	----------

- ii. Adjust the vehicle height to the vehicle height (C - D measurement) by turning the link while checking the value on the intelligent tester or the voltmeter.

HINT:

The vehicle height will be changed by approximately 3.0 mm (0.118 in.) when changing the link by approximately 2 mm (0.0787 in.).

- iii. Tighten the 2 lock nuts.

Torque:

5.4 N*m { 55 kgf*cm , 48 in.*lbf }

- g. Check that the lengths of the screw parts, labeled "A" in the illustration, are within the standard values.

Standard Length:

Item	Specified Condition
LH	6.0 to 12.5 mm (0.24 to 0.49 in.)
RH	6.5 to 15.0 mm (0.26 to 0.59 in.)

- h. Change the vehicle height (from the normal position to the high position, and from the high position to the normal position).

- i. Measure the vehicle height (C - D measurement) on the right and left side (Procedure "D").
- j. Check if the vehicle height (C - D measurement) is within the specified range.

HINT:

If the values are outside the standard range, perform the procedures from procedure "A" to procedure "D" again.