



bar3 – Isolation Barrier

Overview:

M-Tronix is your source for highly innovative electronic control, protection, and monitoring systems for mining and general industry.

M-Tronix is also your exclusive distributor of the **Bramco** product range, which service energy distribution; electric power systems (including switchgear); short-haulage and long-distance conveyor control; industrial communications; and tailored, purpose-applied electronic equipment.

Application:

The M-Tronix latest 1100V Isolation barrier is compliant with all relevant statutory and industry standards. Including AS2081:2011.

The bar3 is a three phase unit designed to isolate high voltages from detection equipment.

Ordering Information:

A01180 - bar3 Isolation Barrier 415-1100V

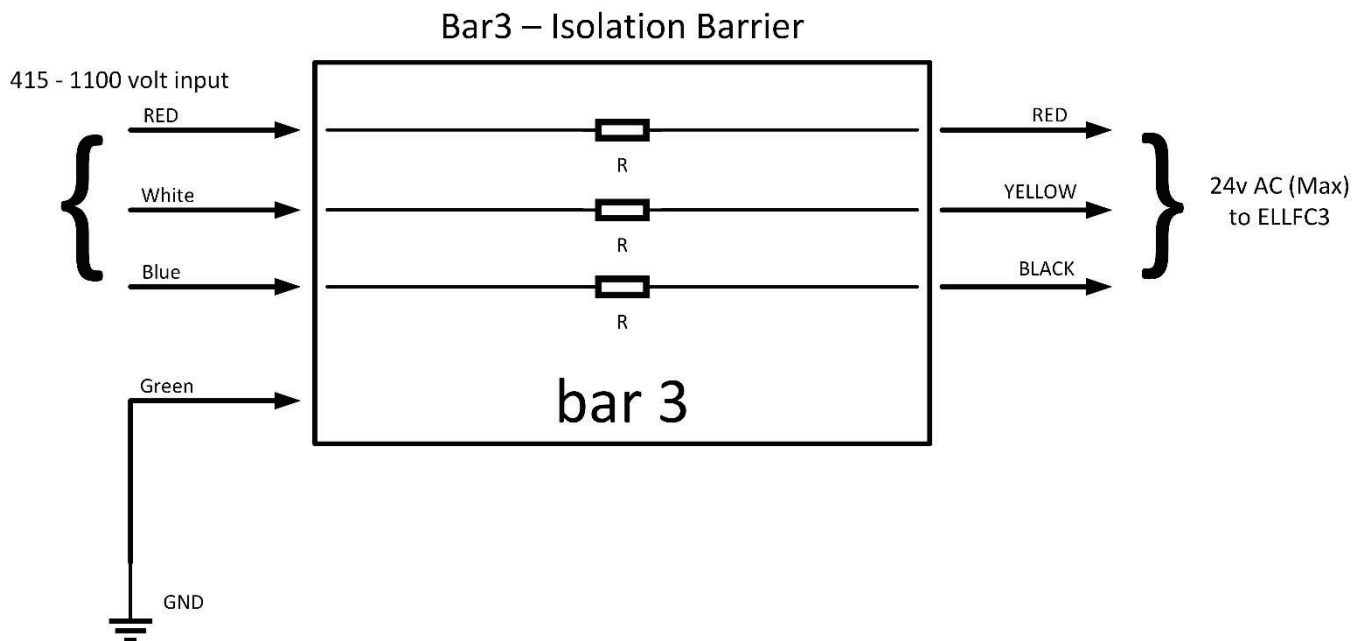
Specifications:

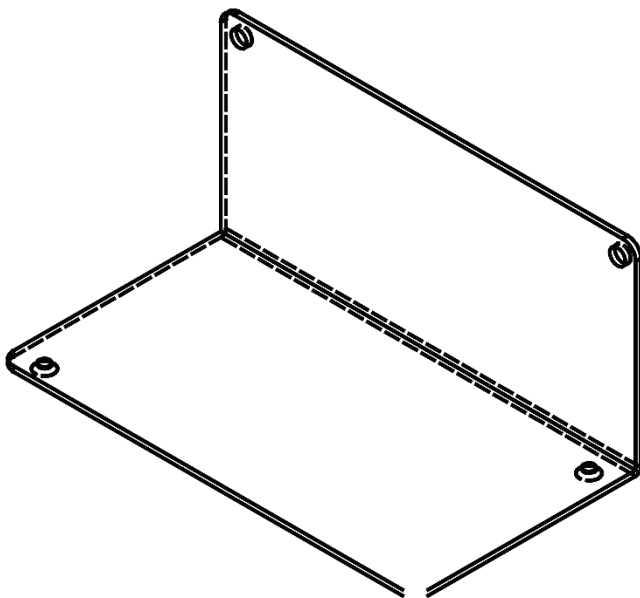
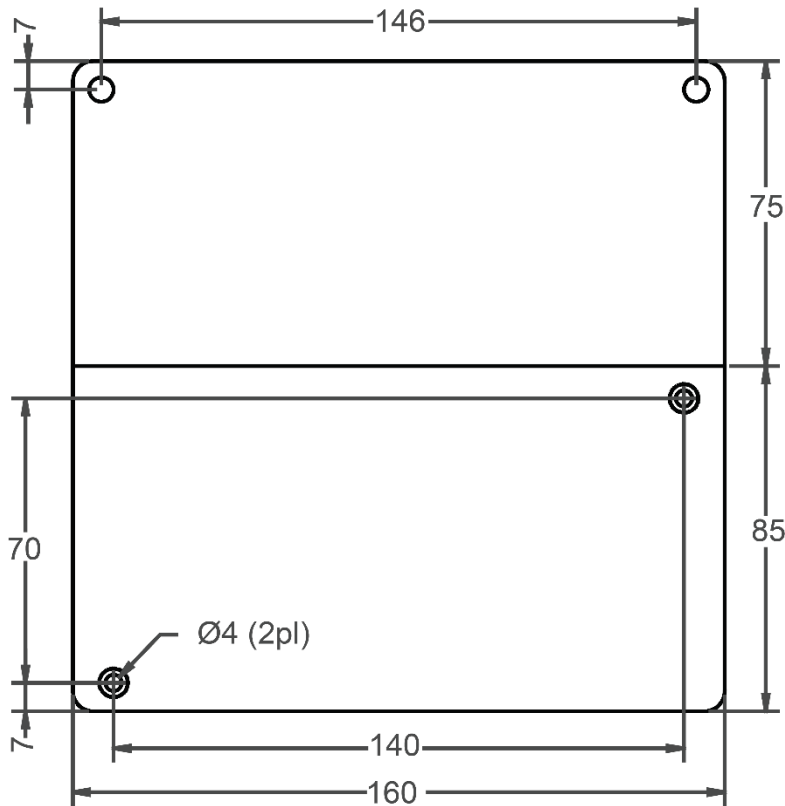
- 415 - 1100 volt input
- 24 volt AC output
- Supplied complete with mounting bracket.

Compliance:

AS2081:2011. ANZEx 11.3014X

This product is designed and manufactured in accordance with ISO9001:2000 requirements.





M-TRONIX Contacts
Telephone +61 435 939 513
Email: info@m-tronix.com.au
www.m-tronix.com.au

Compliance:
AS/NZS 2081:2011
The bar3 comes with
a 2-year warranty.