



EARTH LEAKAGE AND EARTH CONTINUITY RELAY

Overview:

Leaders in Innovative Protection Systems, M-TRONIX's ELEC2 is compliant to the latest Australian standards. Utilising microprocessor technology ELEC2 provides next generation EL protection to VVVF drives.

EL Features:

- 16-bit microprocessor core
- 50-60Hz. (VSD Mode off)
- 5-100Hz. (VSD Mode on)
- Failsafe/Non-Failsafe operation
- Latch/No Latch operation
- EL Toroid open monitoring
- Adjustable Trip Current
- Adjustable Trip Delay Time

Status LEDs for -

- Trip, Warning, Frequency
- Power/Open circuit toroid
- Local/External EL latch reset
- May be used on limited/unlimited neutral systems with matching M-TRONIX ELT3 (1000T)
- Separate control contacts are provided
- Analog Output: 4-20mA, 2-10V

EC Features:

- Operational 45 ohms max.
- Excellent tolerance to pilot cable capacitance and inductance allowing longer cable runs.
- Pilot to Earth termination using 1A diode and/or operates transparently with a M-TRONIX's Smart Pilot Node.
- EC Relay is closed when pilot circuit is healthy.
- Local/Remote Start pilot operation switch selectable. Remote Start/Stop using a 100R start resistor.
- Status LEDs for -
 - Power
 - Pilot Open
 - Pilot Closed
 - Pilot Short
 - Ready
- 2 sets C/O contacts are provided.

Specifications:

Supply:	MODEL	MIN	TYP	MAX	UNIT
	MT01601	100	110	250	V AC
	MT01600	20	24	50	V AC/DC

Power: 2VA +/-20%
Operating Temp: 0 – 60° C

EL:

Earth Leakage Current: 30mA - 20A
Trip Delay Time: 50ms – 500ms

EC:

Pilot to Earth Resistance:
EC Mode: 45 ohms (max)
Remote Start Mode: 145 ohms (max)
Start Resistance: 100 ohms

Shunt Resistance for Trip: Less than 1Kohms

Trip Delay: 500mS

Relay Contacts:

- 5A 250VAC (General)
- 5A 30VDC (Resistive)
- (100VA Max)

Enclosure

Dimensions: 96mmW x 48mmH x 109.5mmD

Material:

- PPE+PS (SE1 GFN1) BLACK
- IP40 Rating

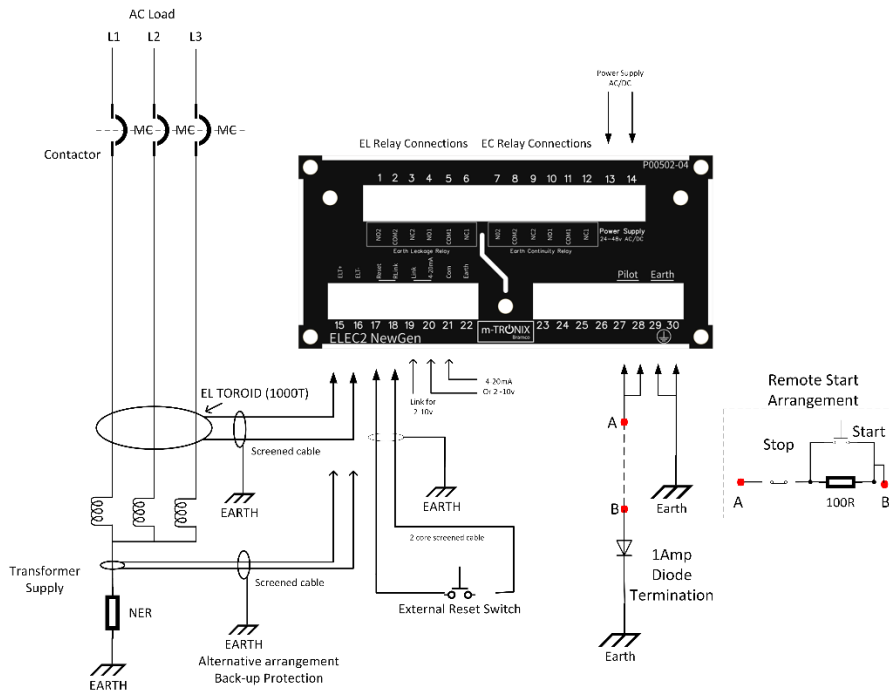
Mounting: Panel mount, rear screw in clamps.
Terminals: Plug in terminal blocks 3.81mm pitch.
Weight: 235gms

This product is designed and manufactured in accordance with ISO9001:2000 certified company.

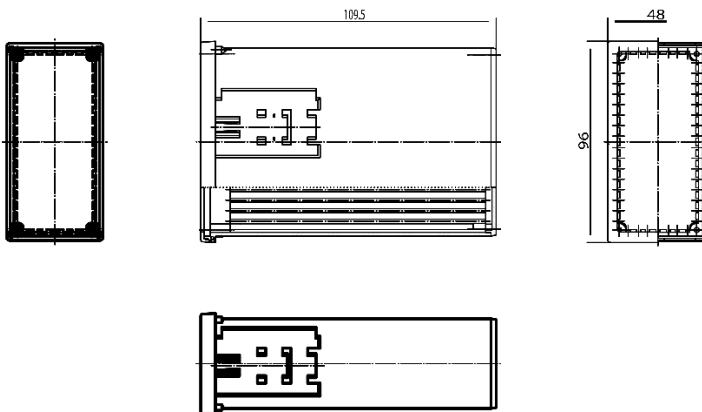


Ordering Information:

- MT01601 – ELEC2 Relay – 110VAC – 240VAC
- MT01600 – ELEC2 Relay - 24-48VAC/DC
- MT01334 – Toroid (1000T) 40mm
- MT01335 – Toroid (1000T) 72mm
- MT01336 – Toroid (1000T) 130mm



Enclosure Dimensions
96mm x 48mm x 109.5mm



M-TRONIX Contacts
Telephone +61 435 939 513
Email: info@m-tronix.com.au
www.m-tronix.com.au

Compliance:
AS/NZS 2081:2011
The ELEC2 comes with
a 2 year warranty.