



iC1- EARTH CONTINUITY RELAY

Overview:

M-Tronix is your source for highly innovative electronic control, protection, and monitoring systems for mining and general industry. M-Tronix is your exclusive distributor of the Bramco product range.

Leaders in Innovative Protection Systems, the iC1 is compliant to the latest Australian standards, including AS2081:2011.

Features:

- Operational 45 ohms max.
- Excellent tolerance to pilot cable capacitance and inductance allowing longer cable runs.
- Pilot to Earth termination using 1A diode and/or operates transparently with a M-TRONIX Smart Pilot Node.
- IC1 Relay is closed when pilot circuit is healthy.
- Local/Remote Start pilot operation switch selectable. Remote Start/Stop using a 100R start resistor.
- Status LEDs for -
 - Power
 - Pilot Open
 - Pilot Closed
 - Pilot Short
 - Ready
- 2 sets C/O contacts are provided.

Ordering Information:

A01047 – iC1 Relay - 110VAC
 A01048 – iC1 Relay - 24-48VAC/DC
 A01049 – iC1 Relay - 240VAC

Specifications:

Supply:	MODEL	MIN	TYP	MAX	UNIT
	A01047	90	110	120	V AC
	A01048	20	24	50	V AC/DC
	A01049	200	240	250	V AC

Power: 3VA +/-20%
 Operating Temp: 0 – 60° C

Pilot to Earth Resistance:

EC Mode: 45 ohms (max)
 Remote Start Mode: 145 ohms (max)
 Start Resistance: 100 ohms

Shunt Resistance for Trip: Less than 1Kohms

Trip Delay: 500mS

Relay Contacts:

2 x Changeover contacts
 5A - 240V AC

Enclosure

Dimensions: 75mmW x 55mmH x 110mmD
 Material:

- High impact resistant polycarbonate construction
- IP20 Rating

Mounting: DIN rail

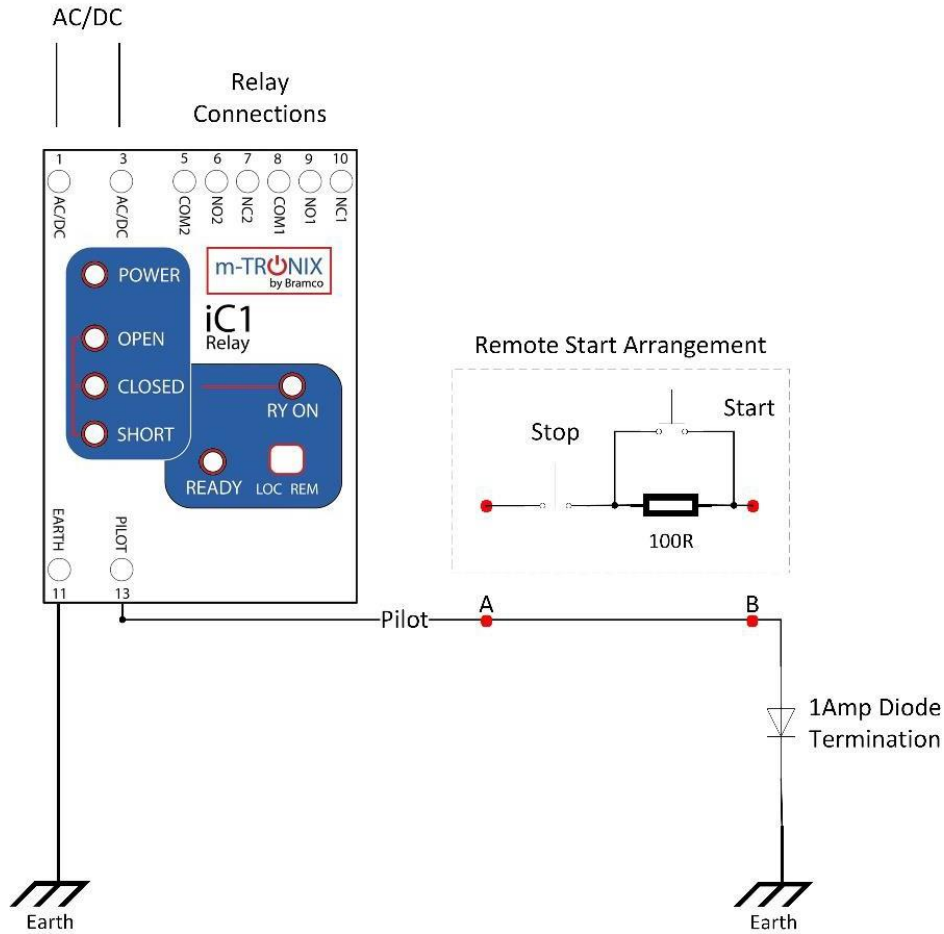
Terminals: Cage screw terminals

Weight: 216gms

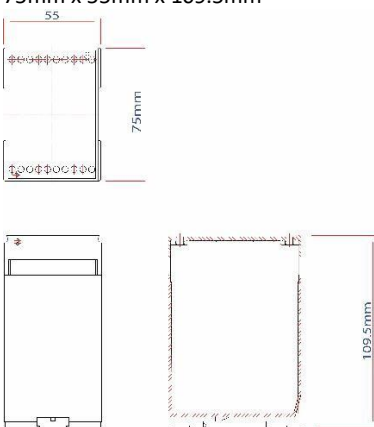
This product is designed and manufactured in accordance with ISO9001:2000 requirements.



Wiring Diagram



Enclosure Dimensions
75mm x 55mm x 109.5mm



M-TRONIX Contacts
Telephone +61 435 939 513
Email: info@m-tronix.com.au
www.m-tronix.com.au

Compliance:
AS/NZS 2081:2011
The iC1 comes with
a 2-year warranty.