



iC3 – Microprocessor EARTH CONTINUITY RELAY

Overview:

M-Tronix is your source for highly innovative electronic control, protection, and monitoring systems for mining and general industry. M-Tronix is your exclusive distributor of the **Bramco** product range.

Leaders in Innovative Protection Systems, the M-TRONIX iC3 is compliant to the latest Australian standards, including AS2081:2011. Utilising microprocessor technology iC3 provides next generation protection.

Application:

The iC3 Earth Continuity Relay is designed to actively monitor the Resistance of the Pilot Earth circuit in a supply cable by diode termination. The iC3 utilises microprocessor technology to provide a greater level of stability over longer pilot cables by using digital filtering techniques. The microprocessor also performs continual self-diagnostics to prevent false tripping or failure to operate. The iC3 has a user selectable trip resistance adjustable between 5 and 45 ohms as well as user selectable trip time from 100-500ms for electrically noisy cable reels and VSD applications.

Features:

- Operational trip resistance selectable from 5-45 ohms
- Excellent tolerance to pilot capacitance and inductance allowing for longer cable runs
- Local or Remote start operation. Remote Start/Stop using a 100R resistor
- Failsafe Operation
- Designed for operation in explosive environments to Exib.

Ordering Information:

A01328 - iC3 Relay - 110AC
A01329 - iC3 Relay - 24-48VAC/DC

Specifications:

Supply:	MODEL	MIN	TYP	MAX	UNIT
	A01328	90	110	120	V AC 50/60Hz
	A01329	20	24	50	V AC/DC

Power: 2VA +/-20%

Operating Temp: 0 – 60° C

Pilot to Earth Resistance:

EC Mode: 5, 10, 15, 20, 25, 30, 35, 40, 45ohms (max)

Remote Start Mode: 105, 110, 115, 120, 125, 130, 135, 140, 145ohms (max)

Start Resistance: 100ohms

Shunt Resistance for Trip: Less than 1Kohms

Trip Delay: 100-500ms

Relay Contacts:

2 x Changeover contacts
5A - 240V AC

Enclosure

Dimensions: 75mmW x 55mmH x 110mmD

Material:

- High impact resistant polycarbonate construction
- IP20 Rating

Mounting: DIN rail

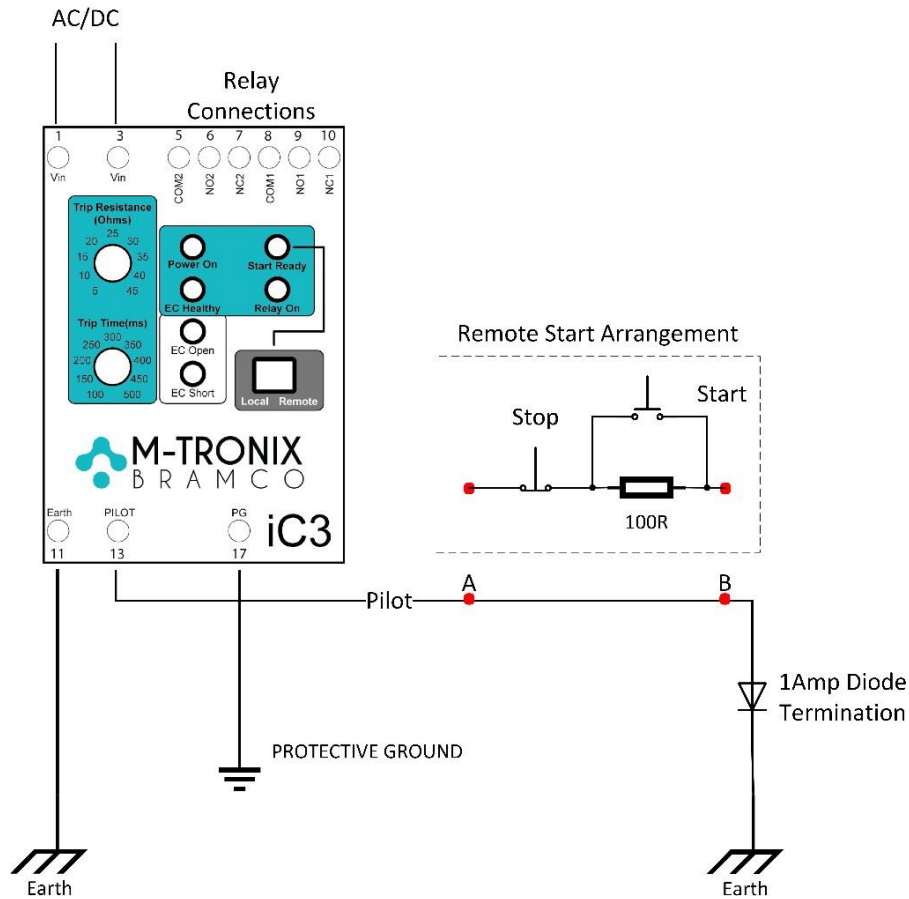
Terminals: Cage screw terminals

Weight: 216gms

This product is designed and manufactured in accordance with ISO9001:2000 requirements.

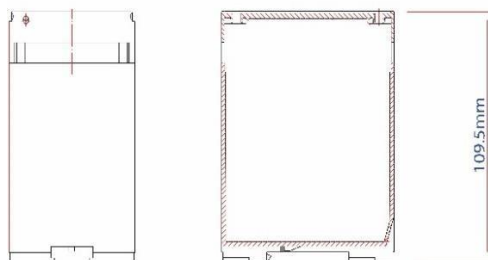
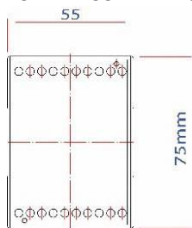


Wiring Diagram



Enclosure Dimensions

75mm x 55mm x 109.5mm



M-TRONIX Contacts
Telephone +61 435 939 513
Email: info@m-tronix.com.au
www.m-tronix.com.au

Compliance:
AS/NZS 2081:2011
The iC3 comes with a 2-year warranty.