

iD Pilot Control Relay

Overview:

M-Tronix is your source for highly innovative electronic control, protection, and monitoring systems for mining and general industry. M-Tronix is your exclusive distributor of the Bramco product range.

Application:

Leaders in Innovative Protection Systems, the Bramco M-Tronix i-D is compliant to latest statutory and industry standards.

The M-Tronix i-D has been designed to monitor the continuity of the Earth Circuit in a supply cable by grounding the pilot core via a diode, polarised positive to earth, and to allow remote start/stop operation by momentarily shorting a 100 Ohm resistor in the pilot circuit (which closes the relay) and opening the pilot with a stop button to open the relay.

Features:

- Remote start/stop via pilot wire.
- Detection of pilot wire shorted to earth.
- LED indication of power on.
- LED healthy indication when earth continuity of pilot is below 45 Ohms
- Higher (non-approved) maximum resistance range available to special order

Ordering Information:

A00251A: iD Relay 110vAC
A00938A: iD Relay 240vAC
A00253A: iC Relay 24-48vAC/DC

Specifications:

Supply:

- 110vAC 50/60Hz standard
- 240vAC 50/60Hz optional
- 24vAC or DC 50/60Hz optional
- 48vDC 50/60Hz optional

Power: 3VA +/-20%

Operating Temp: 0 – 60° C

Pilot to Earth Resistance: 0 – 145 Ohms. 100ohm start resistance drop.

Pilot Wire: Diode termination to earth at remote end of cable and 100ohm for Start/Stop circuit.

Relay Contacts:

2 x Changeover contacts
 5A - 240V AC

Enclosure:

Dimensions: 75mmW x 55mmH x 110mmD

Material:

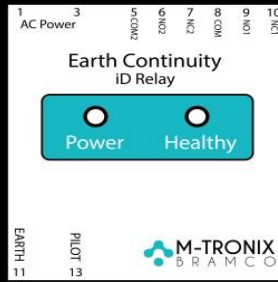
- High impact resistant polycarbonate construction
- IP20 Rating

Mounting: DIN rail

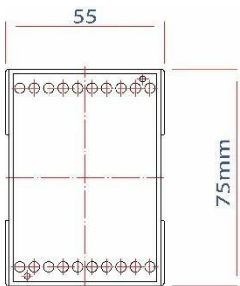
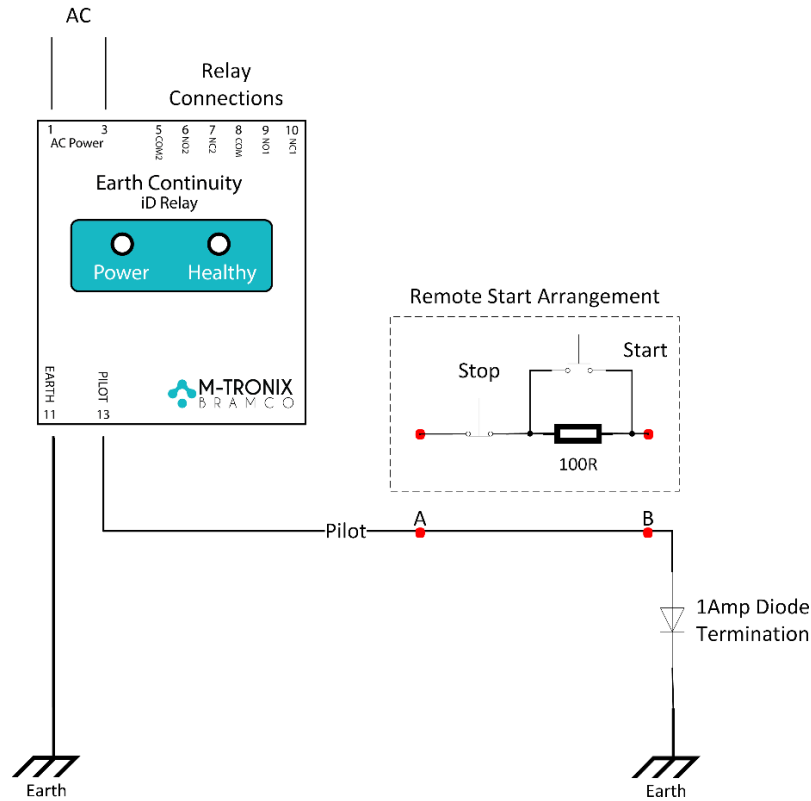
Terminals: Cage screw terminals

Weight: 216gms

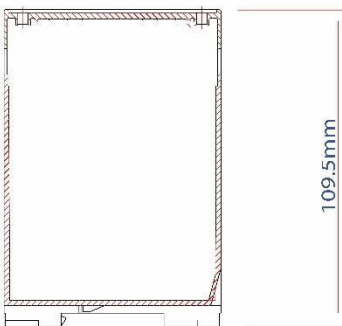
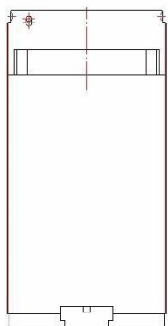
This product is designed and manufactured in accordance with ISO9001:2000 requirements.



Wiring Diagram



Enclosure
Dimensions: 55mmW x 75mmH x 110mmD



M-TRONIX Contacts
Telephone +61 435 939 513
Email: info@m-tronix.com.au
www.m-tronix.com.au

Compliance:
AS/NZS 2081:2011
The iD comes with a 2-year warranty.