

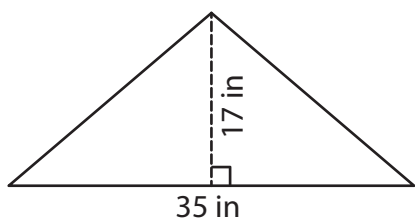
Name : \_\_\_\_\_

## Area – Mixed Shapes

L1S1

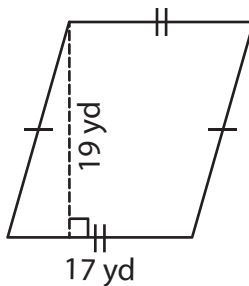
Find the area of each shape.

1)



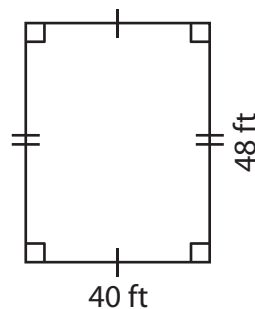
Area = \_\_\_\_\_

2)



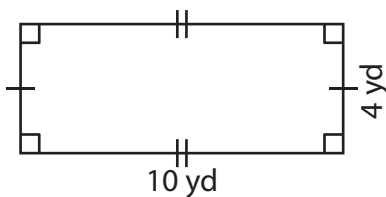
Area = \_\_\_\_\_

3)



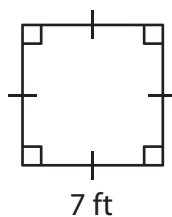
Area = \_\_\_\_\_

4)



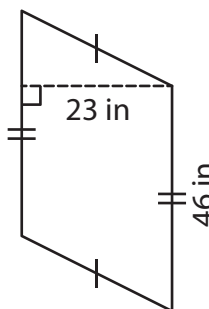
Area = \_\_\_\_\_

5)



Area = \_\_\_\_\_

6)



Area = \_\_\_\_\_

7) The side of a square measures 45 yards. What is the area of the square?

\_\_\_\_\_

8) Find the area of the triangle whose base is 32 inches and height is 16 inches.

\_\_\_\_\_

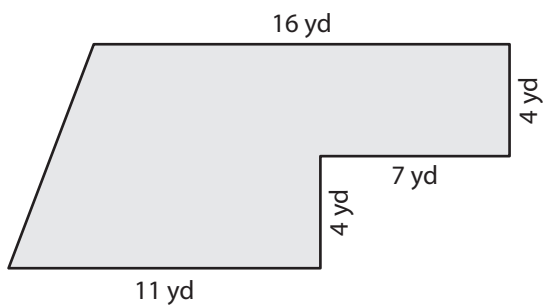
Name : \_\_\_\_\_

L1S2

## Area - Compound Shapes

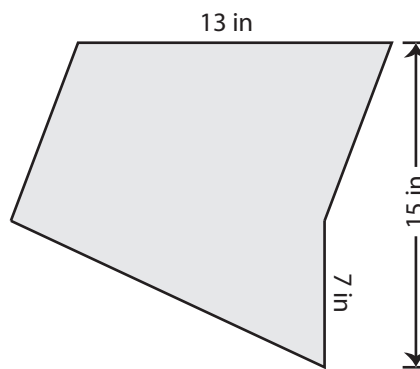
Find the area of each figure. Round your answer to 2 decimal places if required.  
(Use  $\pi = 3.14$ )

1)



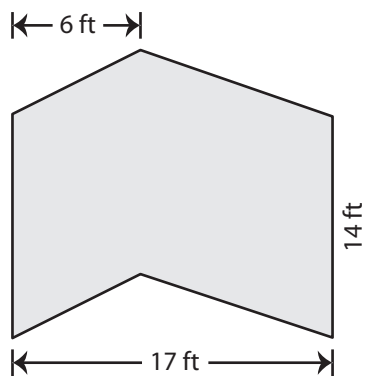
Area = \_\_\_\_\_

2)



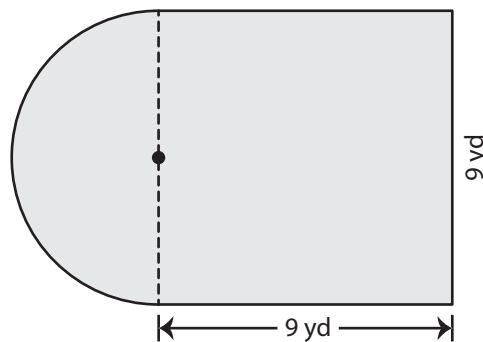
Area = \_\_\_\_\_

3)



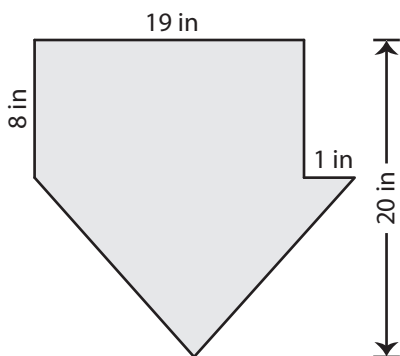
Area = \_\_\_\_\_

4)



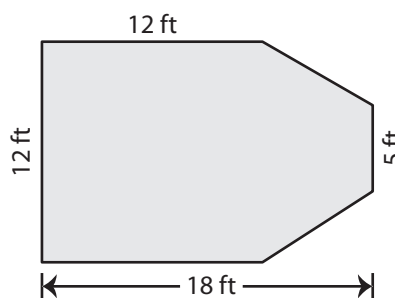
Area = \_\_\_\_\_

5)



Area = \_\_\_\_\_

6)



Area = \_\_\_\_\_